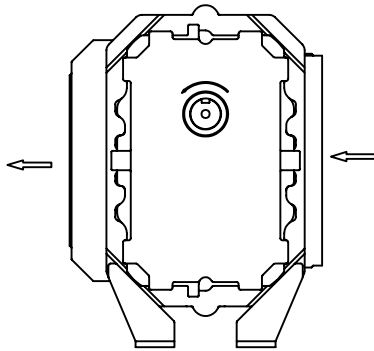
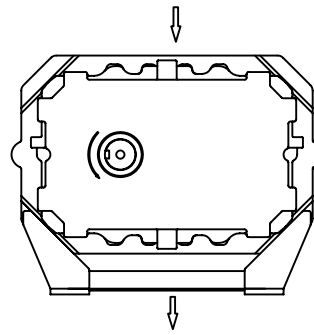


BLOWER ORIENTATION

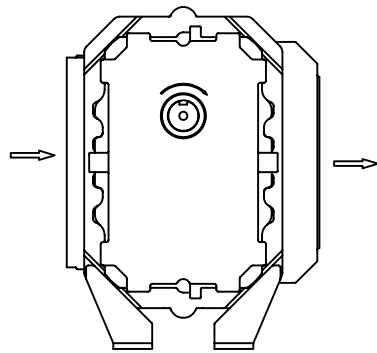
LOOKING AT THE DRIVE SHAFT END



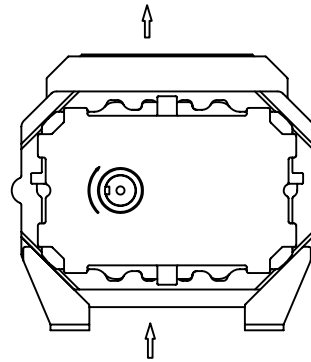
TOP HAND DRIVE
LEFT DISCHARGE



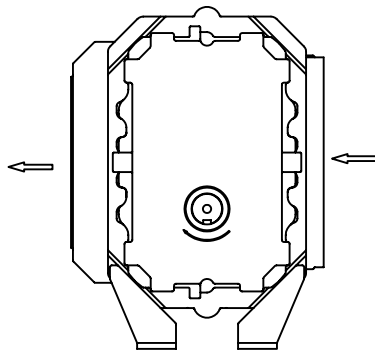
LEFT HAND DRIVE
BOTTOM DISCHARGE



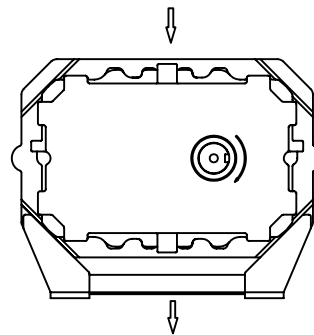
TOP HAND DRIVE
RIGHT DISCHARGE



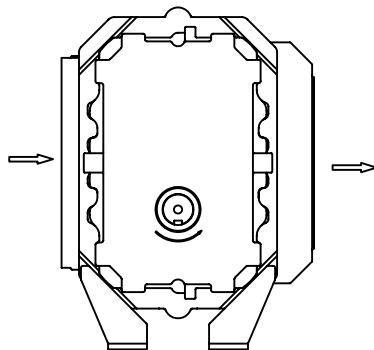
LEFT HAND DRIVE
TOP DISCHARGE



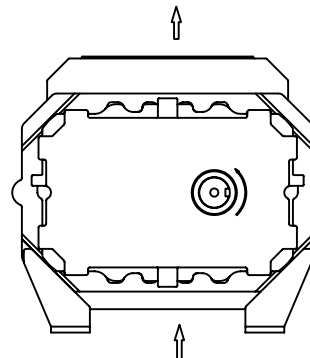
BOTTOM HAND DRIVE
LEFT DISCHARGE



RIGHT HAND DRIVE
BOTTOM DISCHARGE



BOTTOM HAND DRIVE
RIGHT DISCHARGE



RIGHT HAND DRIVE
TOP DISCHARGE