



**UNIVERSAL SILENCER**

A FLEETGUARD/NELSON COMPANY  
 P.O. Box 411, Stoughton, Wisconsin 53589  
 608-873-4272 Fax 608-873-4298

STANDARD THREADED  
 CCF-2 1/2 INTAKE FILTER

DATE 7-9-98

SHEET OF

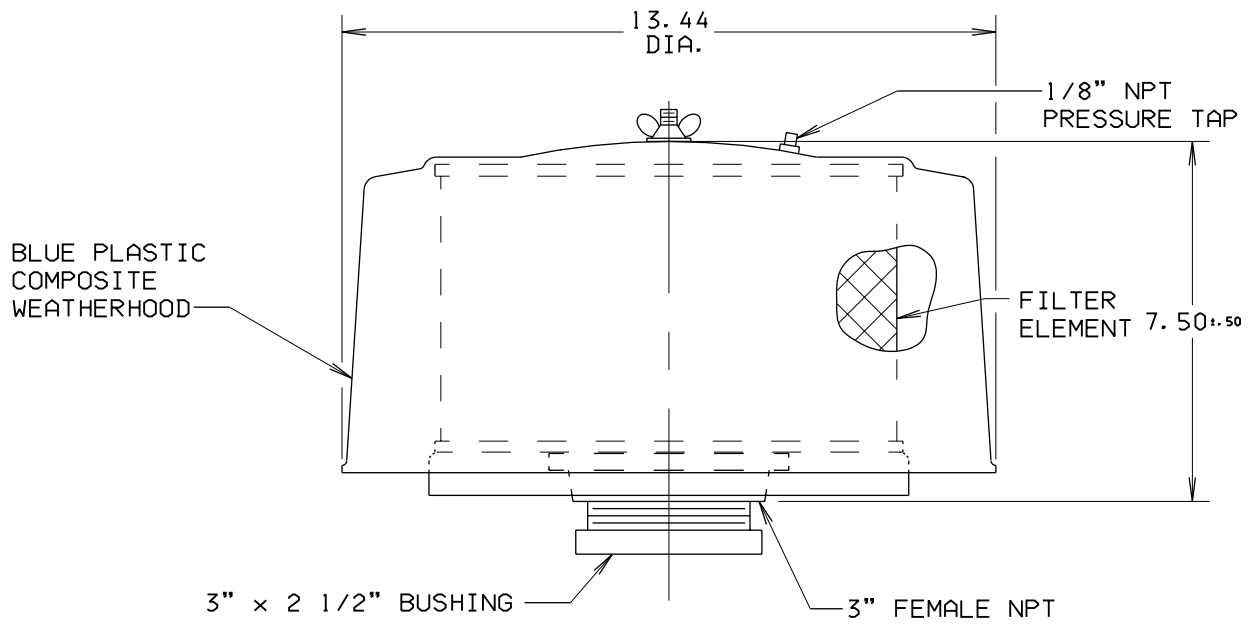
SCALE NTS

NO.

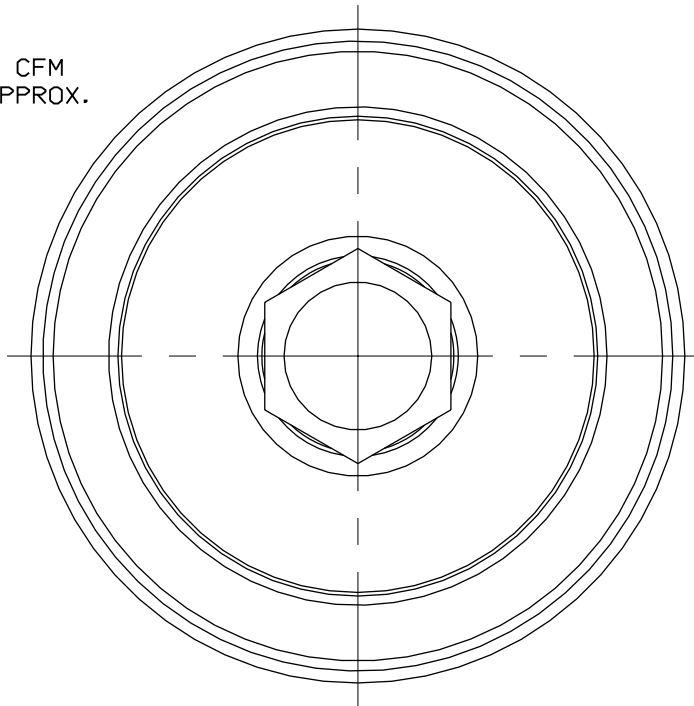
REVISION

DRAWN

APP'D



1. NOMINAL CAPACITY: 190 CFM AT FLOW VELOCITY OF APPROX. 5,500 FT/MIN.
- 2 MATERIAL AND FINISH DESCRIPTIONS DO NOT INCLUDE WEATHERHOOD.



DIMENSIONAL DRAWING NO. 34-L25-TTW

FILTER ELEMENTS INCLUDED (APPLIED ONLY TO ORDER FOR WHICH DRAWING IS CERTIFIED)			DIMENSIONS CERTIFIED FOR:	
FILTER TYPE AND PART NUMBER	SINGLE STAGE	DUAL STAGE		P. O. NO:
		PRE-FILTER	FINAL FILTER	
CC-4W (WIRE MESH) 81-1038	1			BY
				DATE

REV. 0	APPROX WT 11	MATERIAL STEEL	2	DRAWN TAH	DIMENSIONAL DRAWING NO.	REV.
	FINISH 88-1085 BLUE ENAMEL		2	CHECK MDB 7-13-98	34-L25-TTW	0