



UNIVERSAL SILENCER

A FLEETGUARD/NELSON COMPANY
 P.O. Box 411, Stoughton, Wisconsin 53589
 608-873-4272 Fax 608-873-4298

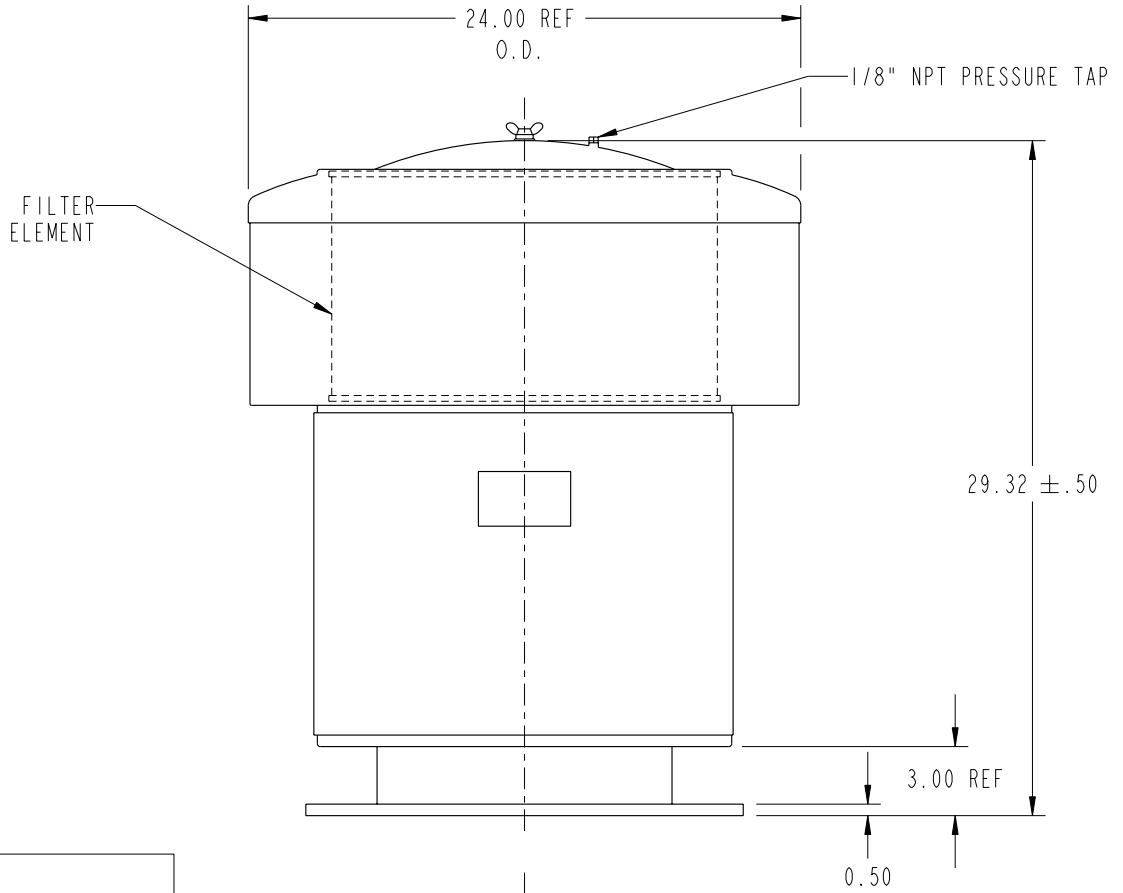
STANDARD CCS-12 FILTER SILENCER

DATE 02-13-01

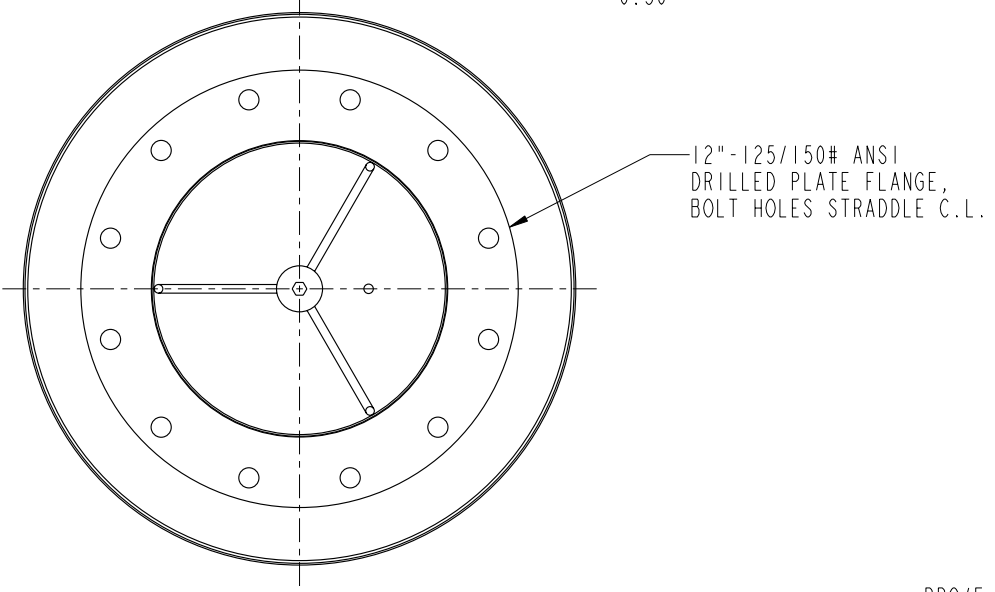
SHEET OF

SCALE 0.110"=1"

NO.	1
REVISION	REDRAWN ON PRO/ENGINEER.
DRAWN	DY 02-13-01
APP'D	MB 04-10-01



NOTES:
 1. NOMINAL CAPACITY:
 4,300 CFM AT FLOW VELOCITY
 OF APPROX. 5,500 FT/MIN.



This document contains CONFIDENTIAL and PROPRIETARY information of Universal Silencer, a Division of Nelson Industries, Inc. Any disclosure or unauthorized use without the express written consent of Universal Silencer is PROHIBITED.

DIMENSIONAL DRAWING NO. 34-K12-AAP

PRO/E

FILTER ELEMENTS INCLUDED (APPLIED ONLY TO ORDER FOR WHICH DRAWING IS CERTIFIED)				DIMENSIONS CERTIFIED FOR:			
	SINGLE STAGE	DUAL STAGE					
		PRE-FILTER	FINAL FILTER			P.O. NO:	
	CC-12P (PAPER) 81-1163	I				U.S. S.O. NO.:	
						BY:	
						DATE:	
REV.	APPROX WT 91 LBS.	MATERIAL STEEL	DRAWN DY	DIMENSIONAL DRAWING NO.			REV.
1	FINISH 88-1085 BLUE ENAMEL	CHECK MB 04-10-01		34-K12-AAP			1