



UNIVERSAL SILENCER

A FLEETGUARD/NELSON COMPANY
 P.O. Box 411, Stoughton, Wisconsin 53589
 608-873-4272 Fax 608-873-4298

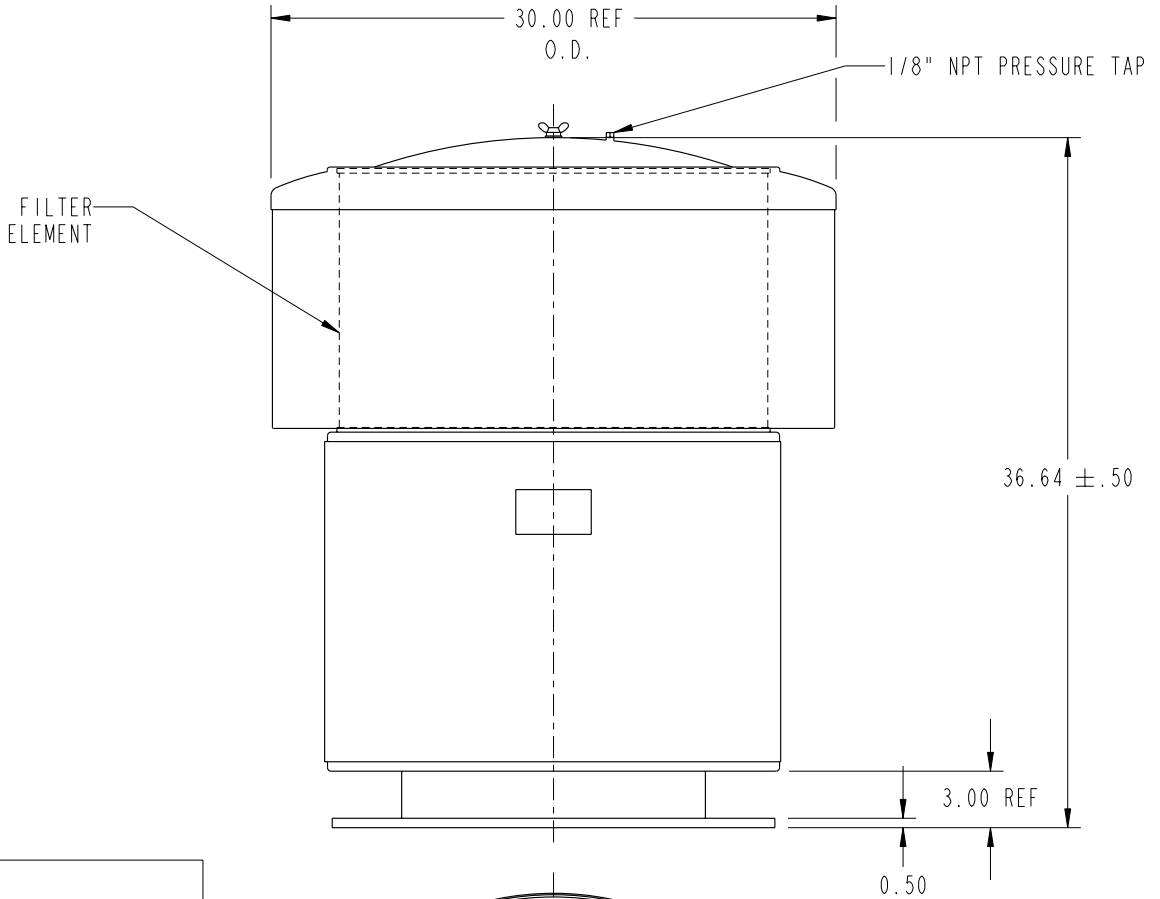
STANDARD CCS-16 FILTER SILENCER

DATE 02-13-01

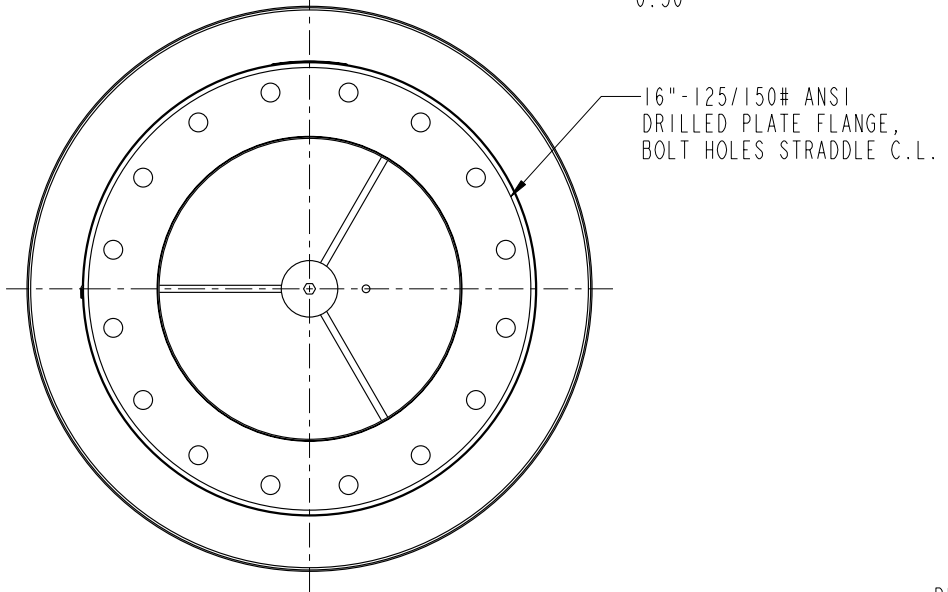
SHEET OF

SCALE 0.090"=1"

NO.	1
REVISION	REDRAWN ON PRO/ENGINEER.
DATE	02-13-01
DRAWN	DY
APP'D	MB



NOTES:
 1. NOMINAL CAPACITY:
 7,700 CFM AT FLOW VELOCITY
 OF APPROX. 5,500 FT/MIN.



This document contains CONFIDENTIAL and PROPRIETARY information of Universal Silencer, a Division of Nelson Industries, Inc. Any disclosure or unauthorized use without the express written consent of Universal Silencer is PROHIBITED.

DIMENSIONAL DRAWING NO. 34-K16-AAW

PRO/E

FILTER ELEMENTS INCLUDED (APPLIED ONLY TO ORDER FOR WHICH DRAWING IS CERTIFIED)				DIMENSIONS CERTIFIED FOR:			
	SINGLE STAGE	DUAL STAGE					
		PRE-FILTER	FINAL FILTER			P.O. NO:	
	CC-16W (WIRE) 81-1201	I				U.S. S.O. NO.:	
						BY:	
						DATE:	
REV.	APPROX WT 155 LBS.	MATERIAL STEEL	DRAWN DY	DIMENSIONAL DRAWING NO.			REV.
1	FINISH 88-1085 BLUE ENAMEL	CHECK MB 04-10-01	04-10-01	34-K16-AAW			1