



UNIVERSAL SILENCER

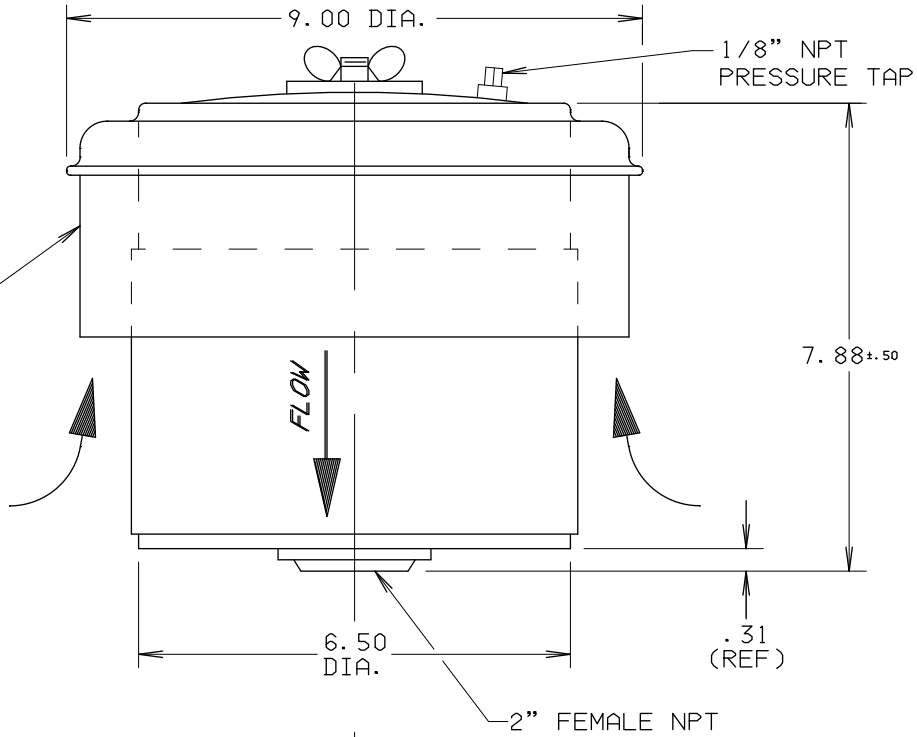
A FLEETGUARD/NELSON COMPANY
P.O. Box 411, Stoughton, Wisconsin 53589
608-873-4272 Fax 608-873-4298

STANDARD CCS-2 FILTER SILENCER

DATE 9-23-98
SHEET OF
SCALE NTS

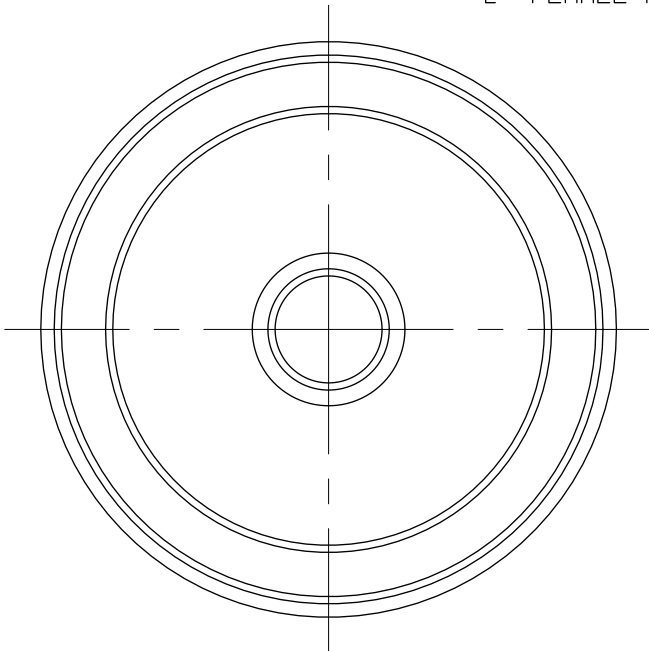
NO.
REVISION
DRAWN
APP'D
This document contains confidential and proprietary information of Universal Silencer, a Division of Nelson Industries, Inc. Any disclosure or unauthorized use without the express written consent of Universal Silencer is PROHIBITED.

REMOVABLE WEATHERHOOD FOR FILTER ELEMENT ACCESS



NOTES:

- RECOMMENDED FLOW RATE 120 CFM MAX.
- APPROX. WEIGHT INCLUDES WT. OF FILTER ELEMENT.



DIMENSIONAL DRAWING NO. 34-K02-TTF

| | | | | | |
|---|--------------|------------|--------------|---------------------------|---------------|
| FILTER ELEMENTS INCLUDED (APPLIED ONLY TO ORDER FOR WHICH DRAWING IS CERTIFIED) | | | | DIMENSIONS CERTIFIED FOR: | |
| FILTER TYPE AND PART NUMBER | SINGLE STAGE | DUAL STAGE | | P.O. NO: | U.S. S.O. NO: |
| | | PRE-FILTER | FINAL FILTER | | |
| CC-2F (FELT) 81-1203 | 1 | | | DATE | |

| | | | | | |
|--------|----------------------------|----------------|------------------|------------------------------------|--------|
| REV. 0 | APPROX WT 10 $\frac{1}{2}$ | MATERIAL STEEL | DRAWN TAH | DIMENSIONAL DRAWING NO. 34-K02-TTF | REV. 0 |
| | FINISH 88-1085 BLUE ENAMEL | | CHECK MB 9-30-98 | | |