



UNIVERSAL SILENCER

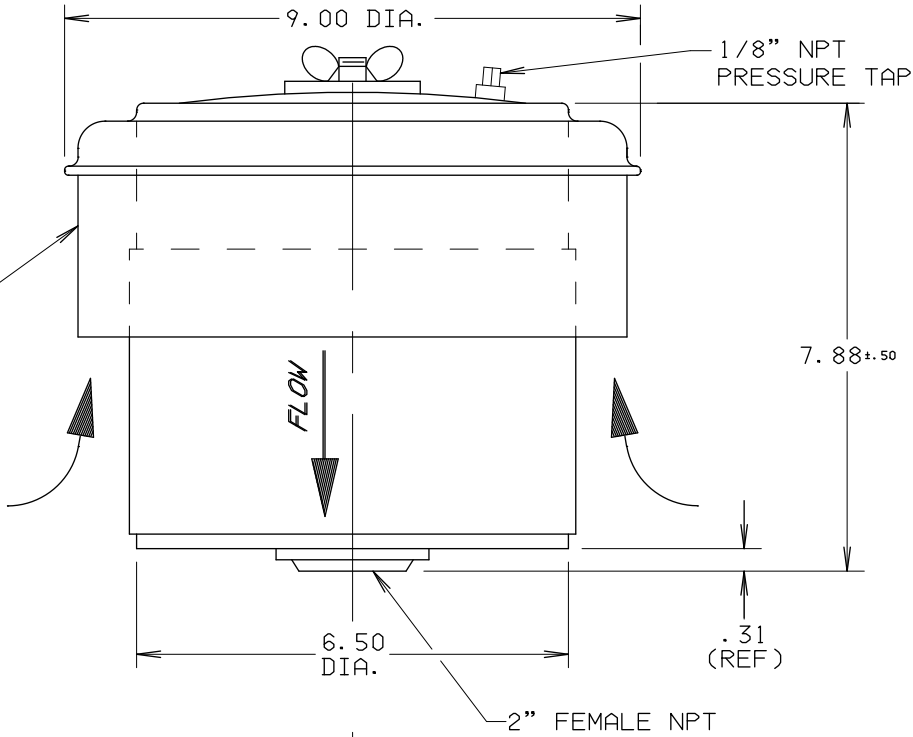
A FLEETGUARD/NELSON COMPANY
P.O. Box 411, Stoughton, Wisconsin 53589
608-873-4272 Fax 608-873-4298

STANDARD CCS-2 FILTER SILENCER

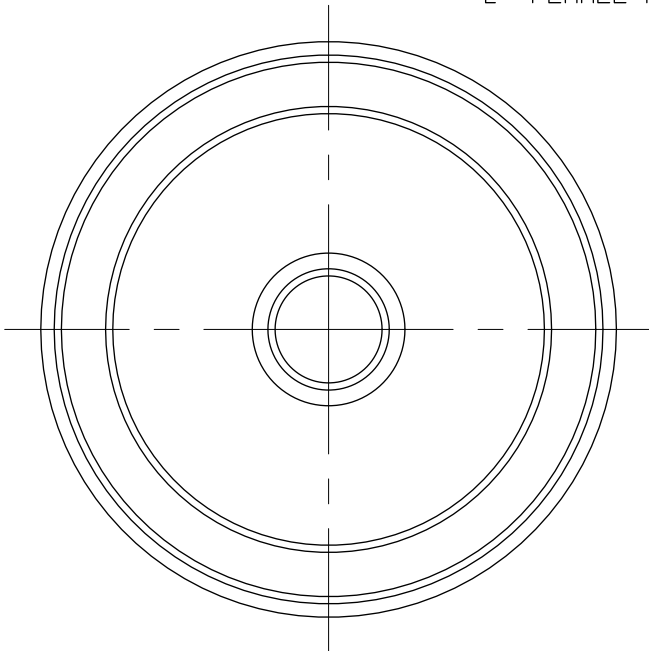
DATE 9-23-98
SHEET OF
SCALE NTS

NO.
REVISION
DRAWN
APP'D
This document contains confidential and proprietary information of Universal Silencer, a Division of Nelson Industries, Inc. Any disclosure or unauthorized use without the express written consent of Universal Silencer is PROHIBITED.

REMOVABLE WEATHERHOOD FOR FILTER ELEMENT ACCESS



- NOTES:
- RECOMMENDED FLOW RATE 120 CFM MAX.
 - APPROX. WEIGHT INCLUDES WT. OF FILTER ELEMENT.



DIMENSIONAL DRAWING NO. 34-K02-TTW

FILTER ELEMENTS INCLUDED (APPLIED ONLY TO ORDER FOR WHICH DRAWING IS CERTIFIED)				DIMENSIONS CERTIFIED FOR:	
FILTER TYPE AND PART NUMBER	SINGLE STAGE	DUAL STAGE		P. O. NO:	U. S. S. O. NO:
		PRE-FILTER	FINAL FILTER		
CC-2W (WIRE MESH) 81-1036	1			BY	DATE

REV. 0	APPROX WT 10 $\frac{1}{2}$	MATERIAL STEEL	DRAWN TAH	DIMENSIONAL DRAWING NO. 34-K02-TTW	REV. 0
	FINISH 88-1085 BLUE ENAMEL		CHECK MB 9-30-98		