



UNIVERSAL SILENCER

A FLEETGUARD/NELSON COMPANY
P.O. Box 411, Stoughton, Wisconsin 53589
608-873-4272 Fax 608-873-4298

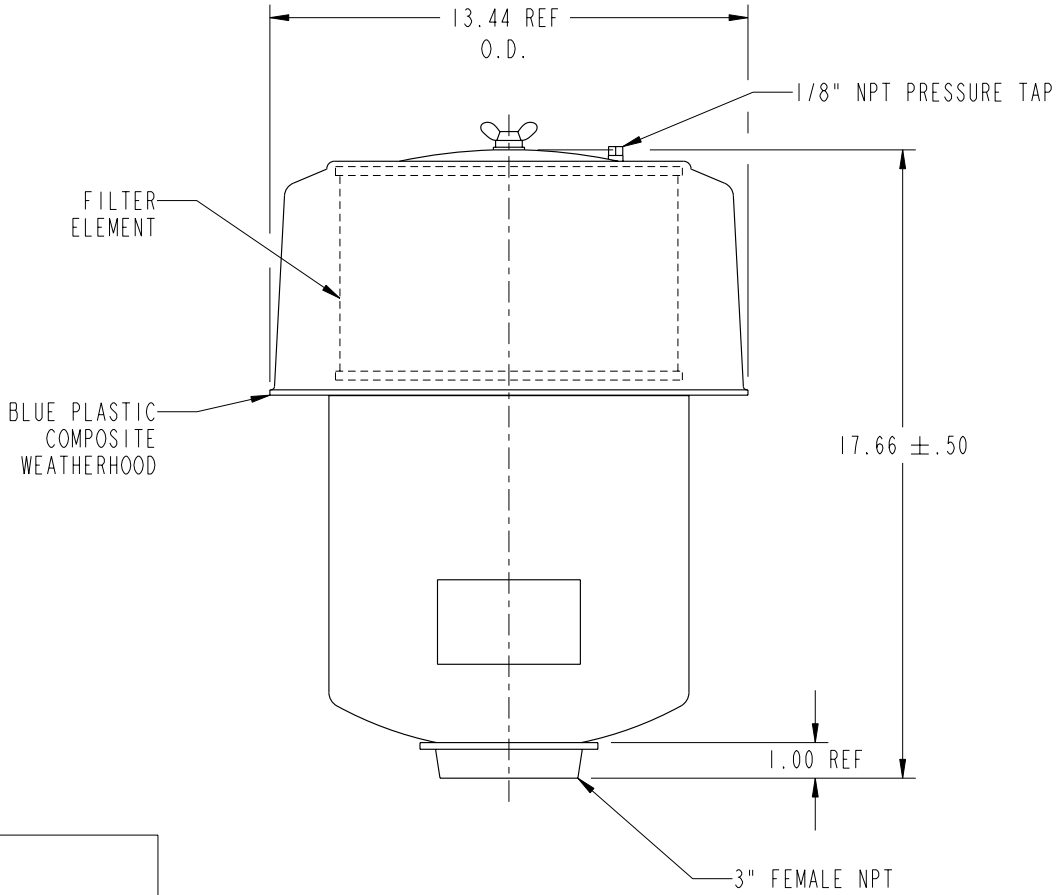
STANDARD CCS-3 THREADED FILTER SILENCER

DATE 02-13-01

SHEET OF

SCALE 0.170"=1"

NO.	3	REDRAWN ON PRO/ENGINEER.	DY	MB
REVISION			02-13-01	04-10-01
			DRAWN	APP'D



NOTES:

1. NOMINAL CAPACITY:
275 CFM AT FLOW VELOCITY
OF APPROX. 5,500 FT/MIN.

2 MATERIAL AND FINISH
DESCRIPTIONS DO NOT
INCLUDE WEATHERHOODS.

This document contains CONFIDENTIAL and PROPRIETARY information of Universal Silencer, a Division of Nelson Industries, Inc. Any disclosure or unauthorized use without the express written consent of Universal Silencer is PROHIBITED.

DIMENSIONAL DRAWING NO.
34-K03-TTP

PRO/E

FILTER ELEMENTS INCLUDED (APPLIED ONLY TO ORDER
FOR WHICH DRAWING IS CERTIFIED)

DIMENSIONS CERTIFIED FOR:

CC-4P (PAPER) 81-1063	SINGLE STAGE I	DUAL STAGE		P.O. NO:
		PRE-FILTER	FINAL FILTER	
				BY:
				DATE:

REV. 3	APPROX WT 18 LBS.	MATERIAL STEEL $\triangle 2$	DRAWN DY	DIMENSIONAL DRAWING NO. 34-K03-TTP	REV. 3
	FINISH 88-1085 BLUE ENAMEL $\triangle 2$	CHECK MB 04-10-01			