



# UNIVERSAL SILENCER

A FLEETGUARD/NELSON COMPANY  
P.O. Box 411, Stoughton, Wisconsin 53589  
608-873-4272 Fax 608-873-4298

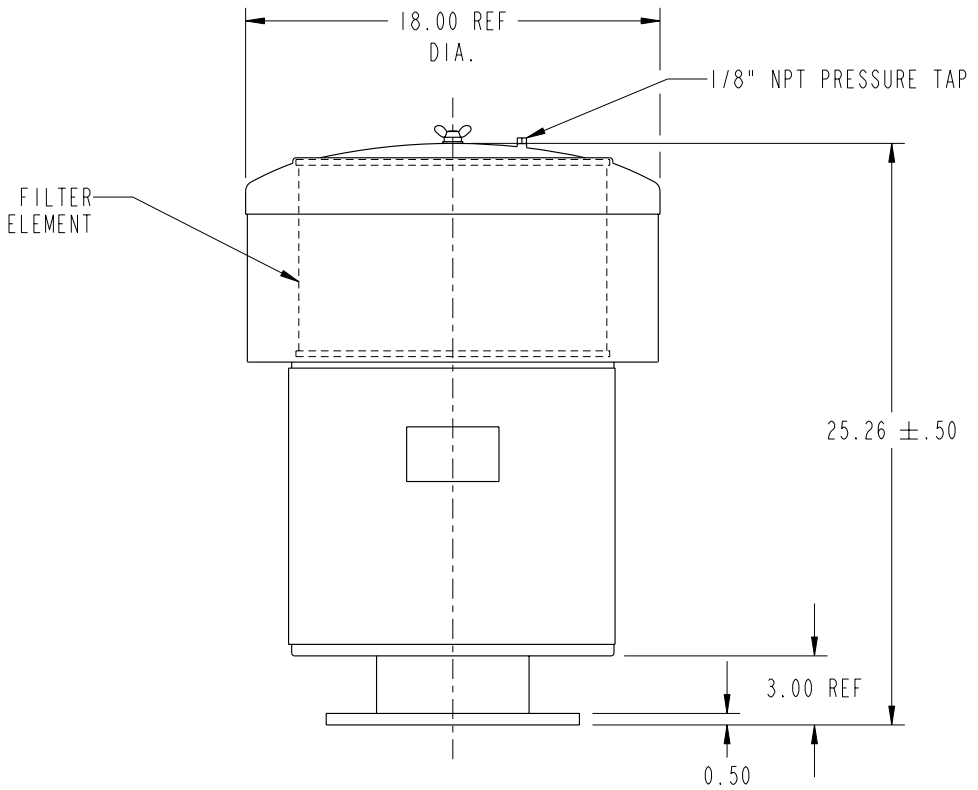
## STANDARD CCS-6 FILTER SILENCER

DATE 02-13-01

SHEET OF

SCALE 0.110"=1"

NO.	2
REVISION	REDRAWN ON PRO/ENGINEER.
DATE	02-13-01
BY	DY
DATE	04-10-01
BY	MB



FILTER ELEMENT

1/8" NPT PRESSURE TAP

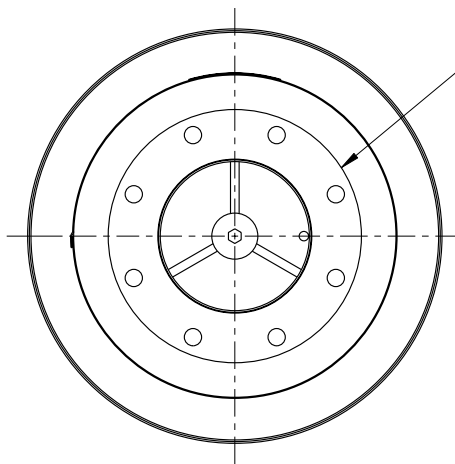
25.26 ± .50

3.00 REF

0.50

### NOTES:

- NOMINAL CAPACITY:  
1,100 CFM AT FLOW VELOCITY  
OF APPROX. 5,500 FT/MIN.



6"-125/150# ANSI  
DRILLED PLATE FLANGE,  
BOLT HOLES STRADDLE C.L.

This document contains CONFIDENTIAL and PROPRIETARY information of Universal Silencer, A Division of Nelson Industries, Inc. Any disclosure or unauthorized use without the express written consent of Universal Silencer is PROHIBITED.

DIMENSIONAL DRAWING NO.  
34-K06-AAW

PRO/E

FILTER ELEMENTS INCLUDED (APPLIED ONLY TO ORDER  
FOR WHICH DRAWING IS CERTIFIED)

DIMENSIONS CERTIFIED FOR:

	SINGLE STAGE	DUAL STAGE		P.O. NO:
		PRE-FILTER	FINAL FILTER	
CC-6W (WIRE) 81-1040	I			U.S. S.O. NO.:
				BY:
				DATE:
APPROX WT 43 LBS.	MATERIAL STEEL	DRAWN DY	DIMENSIONAL DRAWING NO.	
FINISH 88-1085 BLUE ENAMEL	CHECK MB 04-10-01	34-K06-AAW		REV. 2