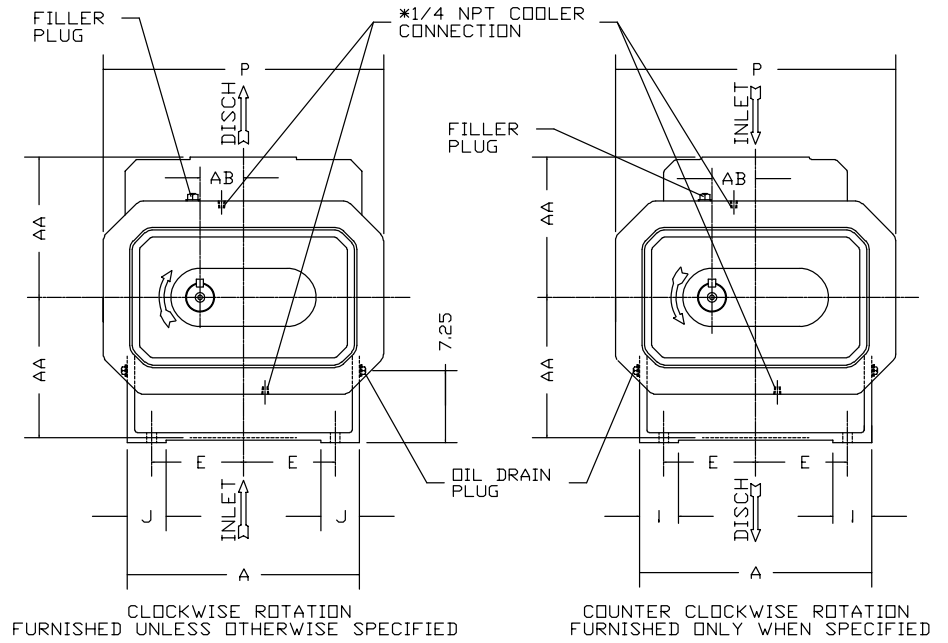


INLET AND DISCHARGE FLANGES TO MATE FLUSH AND SQUARE WITH FLAT FACE FLANGES ONLY. USE FULL FACE GASKETS

FOR V-BELT DRIVEN UNITS MOTOR TO BE LOCATED ON DRIVE SHAFT SIDE OF BLOWER

*USED ON WATER COOLED UNITS ONLY. WATER COOLER INLET TO BE ON DRIVEN SHAFT SIDE 1 GPM WATER-FLOW RATE AT 40 PSIG MAX. WATER PRESSURE



	10"FLG	12"FLG	14"FLG
OPENING	10.00	12.00	14.00
BOLT CIRCLE	14.25	17.00	18.75
FLANGE O.D.	16.00	19.00	21.00
No TAPPED HOLES	12	12	12
SIZE HOLES	7/8-9	7/8-9	1 - 8
TAP DEPTH	1.31	1.31	1.50

W - INLET
W' - DISCHARGE
AD - SHEAVE WIDTH
AE - SHEAVE DIAMETER
ALL DIMENSIONS IN INCHES

RCS-J WHISPAIR BLOWER

FRAME SIZE	A	B	C	D	E	F	G	H	J	K	M	N	O	P	U	V	KEYWAY	W	W'	AA	AB	AD	AE	OIL CAPACITY		APPROX WEIGHT
																								G.E.	D.E.	
817JH	22.00	24.25	38.63	13.00	8.75	10.75	1.00	1.00	4.00	3.25	14.50	5.00	25.75	25.00	2.75	4.00	.625x.313	10"FLG	10"FLG	12.75	4.00	7.19	13.2	256FL.OZ.	120FL.OZ.	1620 LBS
821JH	"	27.88	42.25	"	"	12.56	"	"	"	"	16.31	"	"	"	"	"	"	12"FLG	10"FLG	"	"	"	"	"	"	1800 LBS
826JH	"	33.13	47.50	"	"	15.19	"	"	"	"	18.94	"	"	"	"	"	"	12"FLG	12"FLG	"	"	"	"	"	"	2075 LBS
832JH	"	38.50	52.88	"	"	17.88	"	"	"	"	21.63	"	"	"	"	"	"	14"FLG	12"FLG	"	"	"	"	"	"	2325 LBS