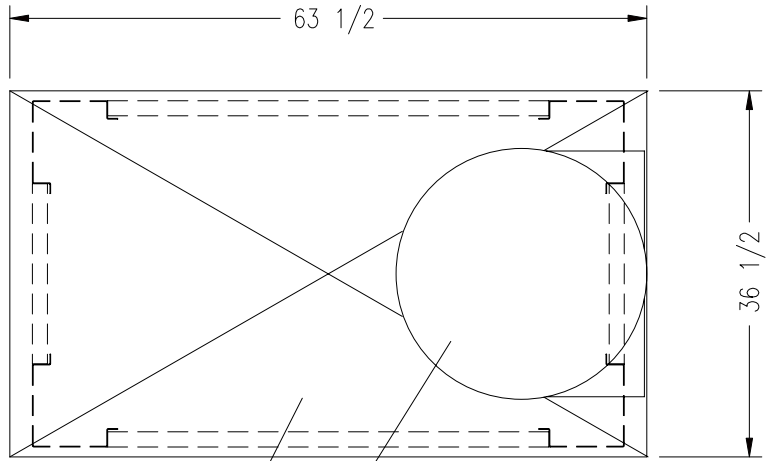
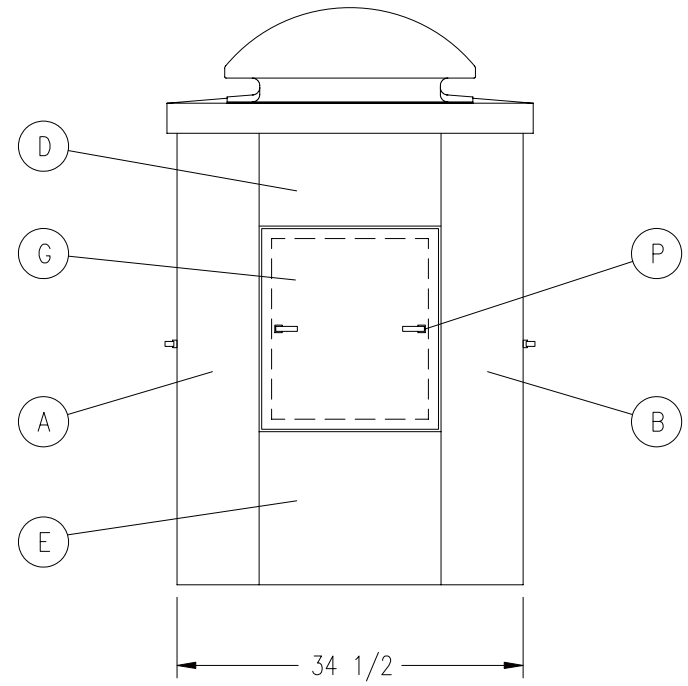
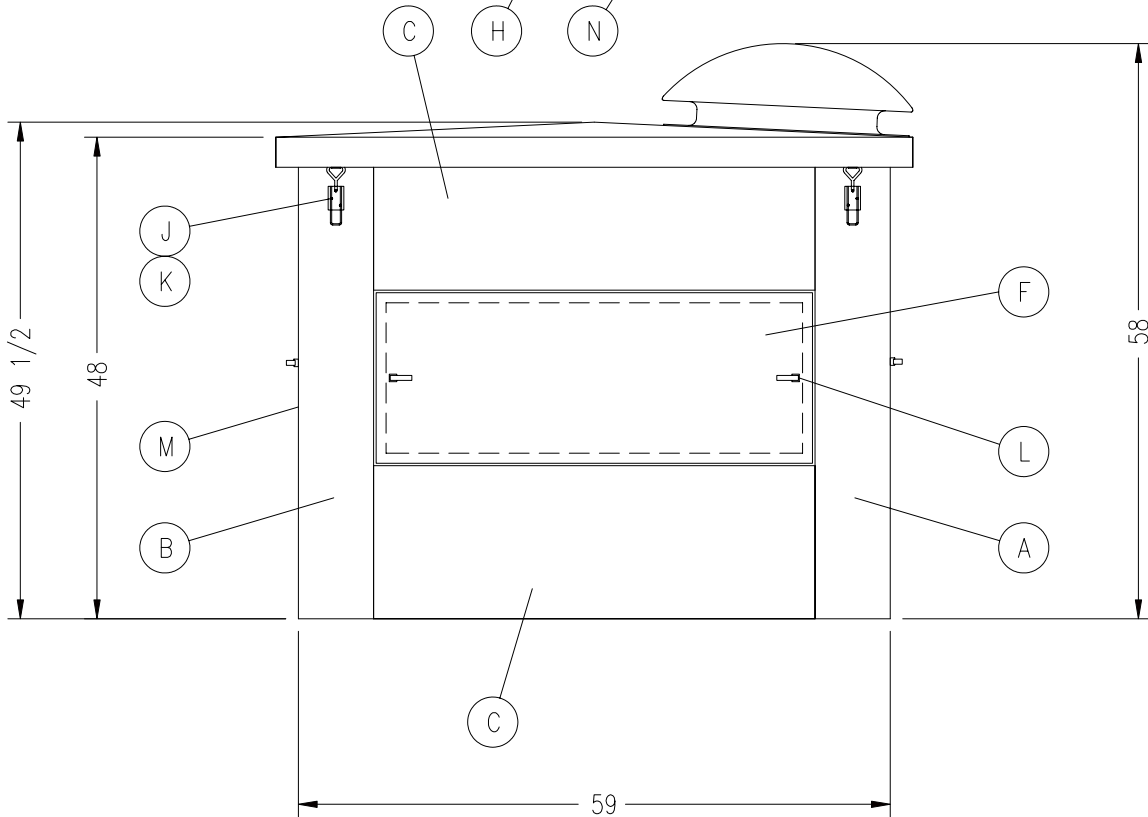



DRAWING NUMBER
EN133 B 0000



ITEM	QTY	PART NO.	DESCRIPTION	EXT	UM	MATL NO.
A	2	EN133 B F001	CORNER, RH			
B	2	EN133 B F002	CORNER, LH			
C	4	EN133 B F003	HEADER/FOOTER, SIDE			
D	2	EN133 B F004	HEADER, END			
E	2	EN133 B F005	FOOTER, END			
F	2	EN133 B F006	DOOR, SIDE			
G	2	EN133 B F007	DOOR, END			
H	1	EN133 B F008	ROOF			
J	4	LTH011	LATCH			
K	4	LTH012	STRIKER			
L	8	LTH015	LATCH, LIFT & TURN			
M	1	N/A	ATTEN, MW, 8#/FT3, 2", PLAIN, 24" X 48"	85	SF	ATT007
N	1	VNT008	VENTILATOR			



REV	DESCRIPTION	DATE	BY
		ROTATING ENGINEERED PRODUCTS, INC. 2405 MURPHY BOULEVARD GAINESVILLE, GA. 30504 TOLL FREE: (800) 536-9933, (770) 538-0020, FAX: (770) 538-0022	
SCALE: NTS		TITLE: ENCLOSURE ASSY, 59 X 34-1/2 X 48 VB 34, ATTEN, GALV, W/ VENTILATOR	
DRAWN BY: AM	DATE: 2-20-04	MODEL/CUSTOMER	
CHECKED BY:	DATE:	DRAWING NO. EN133 B 0000	SHEET NO. 1 OF 1
APPD. BY:	DATE:	REV.	

BOX IS BLUE IF ORIGINAL