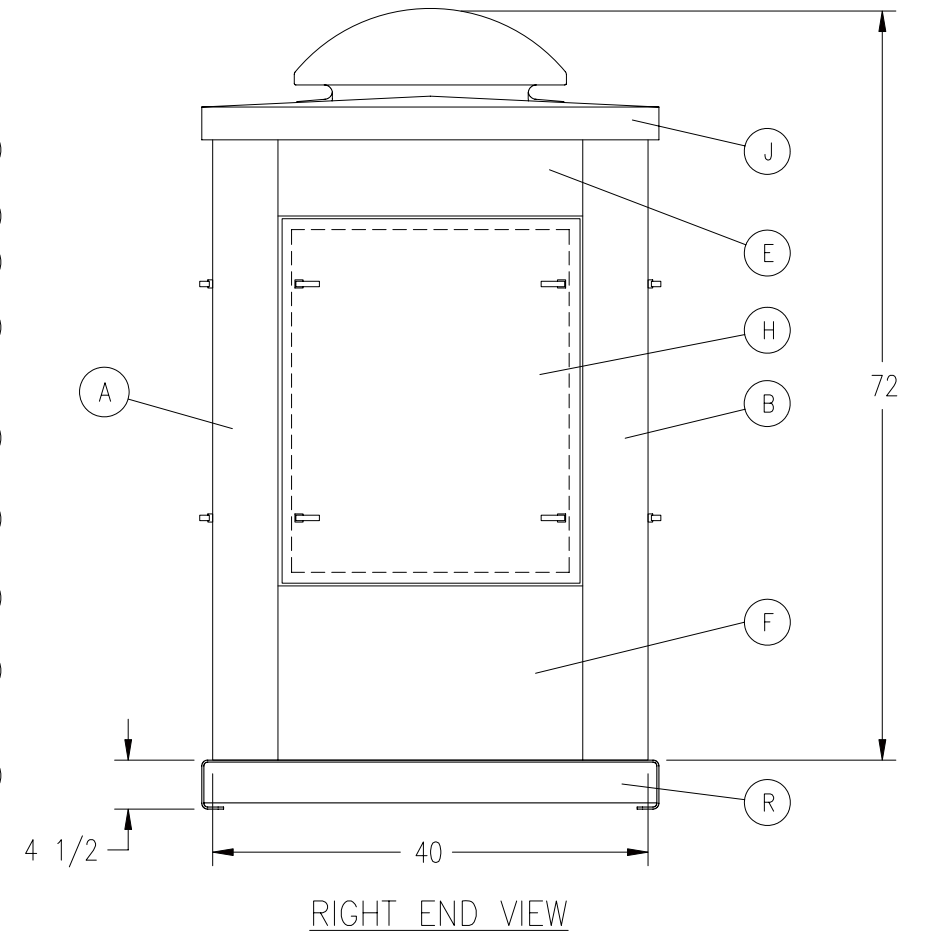
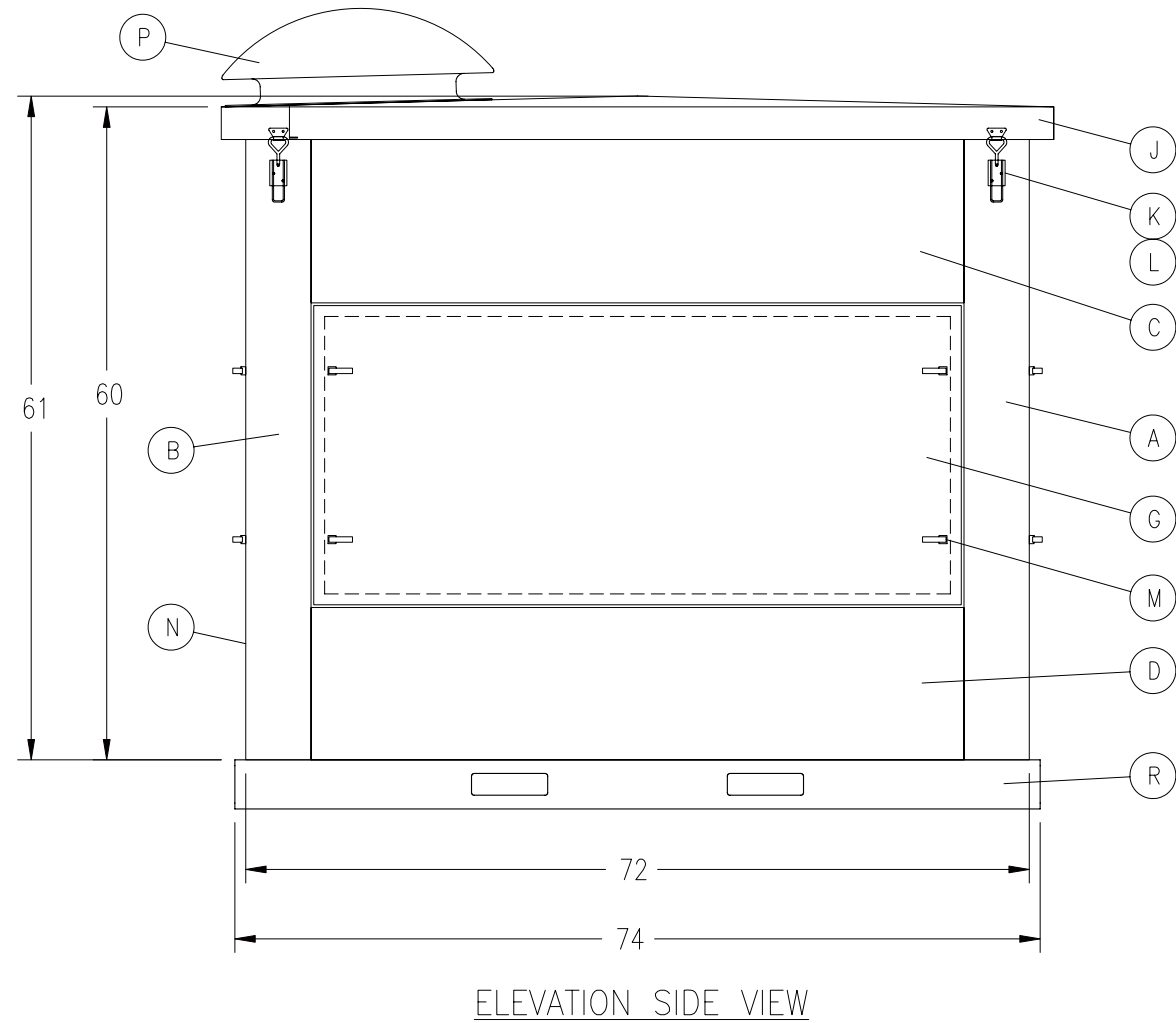
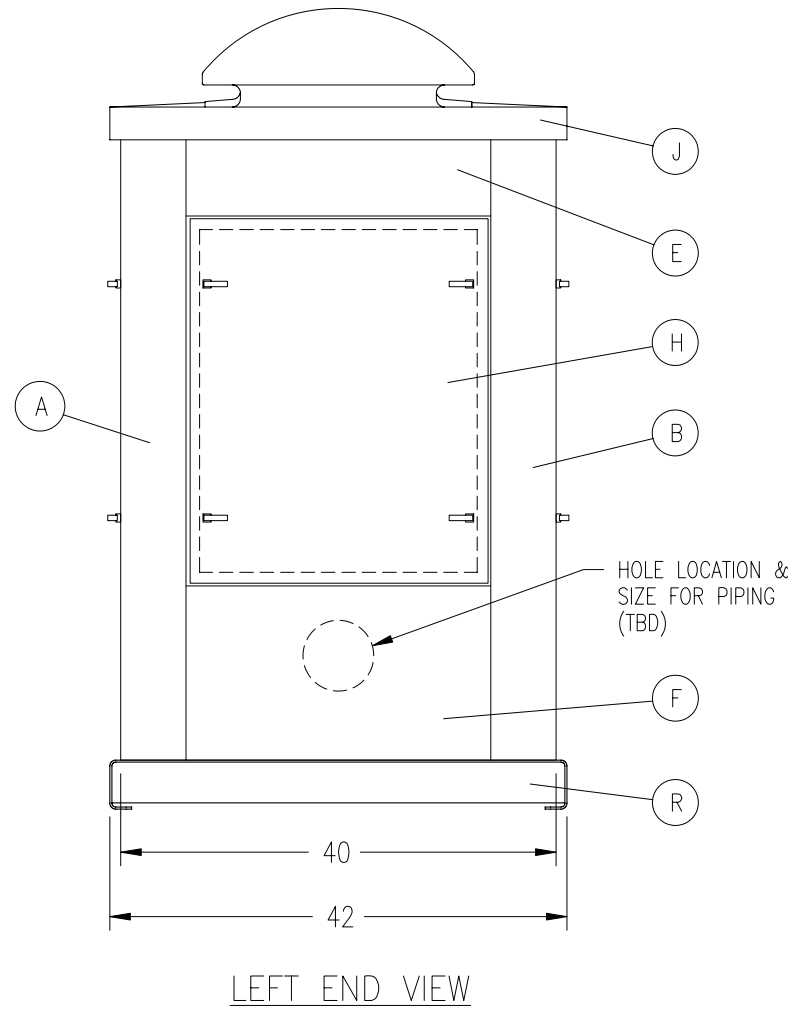


ITEM	QTY	PART NO.	DESCRIPTION	EXT	UM	MATL NO.
A	2	EN165 B F001	CORNER, RH			
B	2	EN165 B F002	CORNER, LH			
C	2	EN165 B F003	HEADER, SIDE			
D	2	EN165 B F004	FOOTER, SIDE			
E	2	EN165 B F005	HEADER, END			
F	2	EN165 B F006	FOOTER, END			
G	2	EN165 B F007	DOOR, SIDE			
H	2	EN165 B F008	DOOR, END			
J	1	EN165 B F009	ROOF			
K	4	LTH011	LATCH, ADJUSTABLE CATCH, LOCK			
L	4	LTH012	STRIKER, LATCH			
M	16	LTH015	LATCH, LIFT & TURN			
N	1	N/A	ATTEN, MW, 8#/FT3, 2", PLAIN, 24" X 48"	130	SF	ATT007
P	1	VNT008	VENTILATOR, 1170 CFM			
R	1	SK070 A F001	SKID WELDMENT, 74" X 42" X 4-1/2"			



REV	DESCRIPTION	DATE	BY
		ROTATING ENGINEERED PRODUCTS, INC. 2405 MURPHY BOULEVARD GAINESVILLE, GA. 30504 TOLL FREE: (800) 536-9933, (770) 538-0020, FAX: (770) 538-0022	
SCALE: N.T.S.		TITLE: ENCLOSURE ASSY, ROOTS-FLO 72" X 40" X 60" ATTEN, GALV, W/ VENTILATOR	
DRAWN BY: AM	DATE: 2-18-08	CUSTOMER	
CHECKED BY:	DATE:	DRAWING NO. EN165 B 0000	SHEET NO. 1 OF 1
APPD. BY:	DATE:		REV.