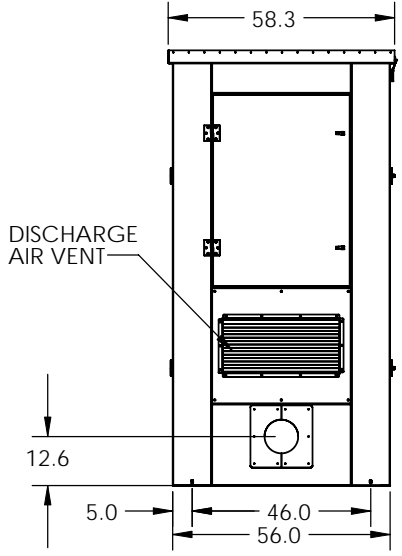


DWG. NO.
EN174B00H1
SALES DWG

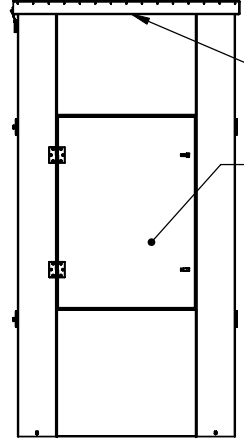
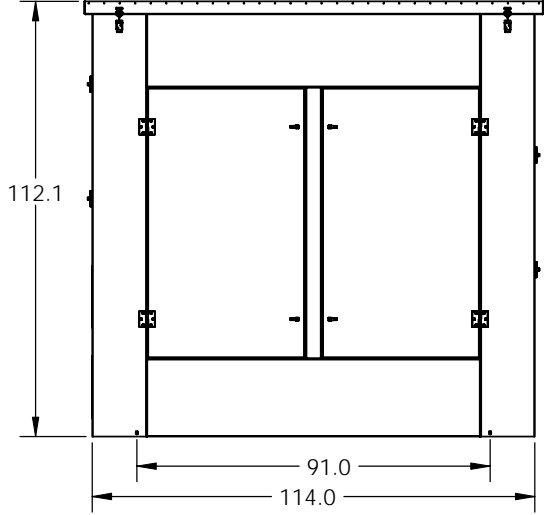
| REVISIONS | | | | |
|-----------|------|-------------|------|----------|
| ZONE | REV. | DESCRIPTION | DATE | APPROVED |
| | A | | | |
| | B | | | |
| | C | | | |



ROOF IS REMOVABLE
BY RELEASING FOUR (4)
HASPS



DISCHARGE
AIR VENT




VENTILATION AIR ENTERS
THROUGH PASSAGES ON
ENDS AND SIDES

ALL DOORS MAY BE LIFTED
OFF THEIR HINGES BY SWINGING
TO APPROXIMATELY 90 DEGREES

ANCHOR ENCLOSURE DIRECTLY TO CONCRETE PAD
WITH THE 8 ANCHORING TABS PROVIDED
TABS ARE LOCATED INSIDE THE ENCLOSURE
USE 1/2" ANCHORS

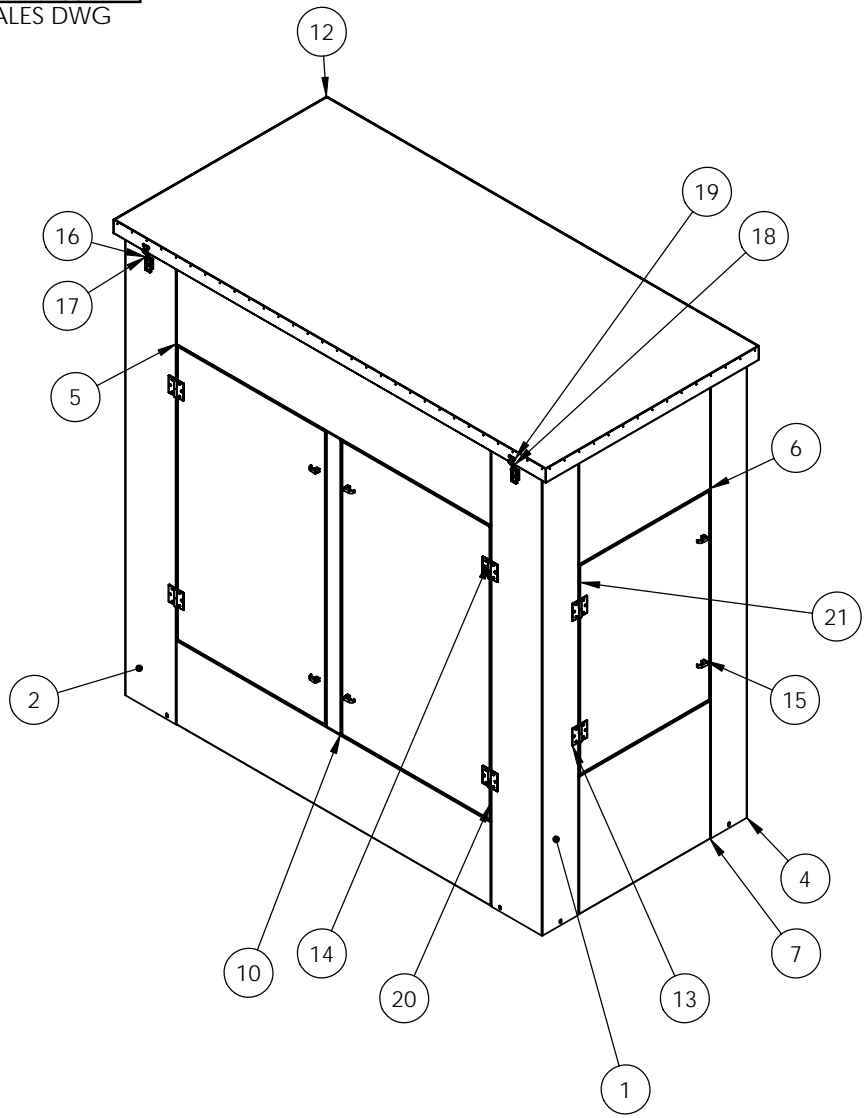
DO NOT DIRECTLY EXPOSE ACOUSTICAL MATERIAL
TO WATER OR OTHER LIQUIDS

PROPRIETARY AND CONFIDENTIAL
THE INFORMATION CONTAINED IN THIS
DRAWING IS THE SOLE PROPERTY OF
REP Inc. ANY REPRODUCTION IN PART OR
AS A WHOLE WITHOUT THE WRITTEN
PERMISSION OF REP Inc. IS PROHIBITED.

| | | | | | | |
|-------------|---------|---|--|---------|------|---|
| | | UNLESS OTHERWISE SPECIFIED: | | DATE | NAME |  <small>REP Inc. 2405 Murphy Blvd. Gainesville, GA 30504 800-536-9923</small> |
| | | DIMENSIONS ARE IN INCHES | | 7-30-07 | AM | |
| | | TOLERANCES: | | | | |
| | | FRACTIONAL ± | | | | |
| | | ANGULAR: MACH ± BEND ± | | | | |
| | | TWO PLACE DECIMAL ± | | | | |
| | | THREE PLACE DECIMAL ± | | | | |
| | | INTERPRET GEOMETRIC TOLERANCING PER: | | | | TITLE: ENCLOSURE ASSY, VB 678 114"L X 56"W X 112"H HRS, ATTN, W/ OUT VENT. |
| | | MATERIAL | | | | |
| | | FINISH | | -- | | |
| NEXT ASSY | USED ON | WEIGHT: | | | | SIZE B |
| APPLICATION | | | | | | DWG. NO. EN174B00H1 |
| | | | | | | REV SALES DWG |
| | | | | | | SCALE: 1:1 SHEET 1 OF 2 |


DWG. NO.
EN174B00H1
SALES DWG

| REVISIONS | | | | |
|-----------|------|-------------|------|----------|
| ZONE | REV. | DESCRIPTION | DATE | APPROVED |
| | A | | | |
| | B | | | |
| | C | | | |



| ITEM NO. | PART NUMBER | DESCRIPTION | QTY. |
|----------|---------------|--|------|
| 1 | EN174BF001 | RH FRONT CORNER | 1 |
| 2 | EN174BF002 | LH FRONT CORNER | 1 |
| 3 | EN174BF003 | RH BACK CORNER | 1 |
| 4 | EN174BF004 | LH BACK CORNER | 1 |
| 5 | EN174BF005 | FRONT & BACK HEADER/FOOTER | 4 |
| 6 | EN174BF006 | RIGHT SIDE HEADER | 1 |
| 7 | EN174BF007 | FOOTER, RIGHT SIDE, VB678 ENCL, 14GA GALV | 1 |
| 8 | EN174BF008 | LEFT SIDE HEADER | 1 |
| 9 | EN174BF009H1 | LEFT SIDE FOOTER, HOLE PENETRATION | 1 |
| 10 | EN174BF010 | RIB, DOOR, 678 ENCL, 14GA GALV | 2 |
| 11 | EN126BF016 | COVER, VENT, EXTENDED, 96X56X96 VB 678 ENCLOSURE | 2 |
| 12 | EN174BOH8F | ROOF ASSEMBLY, 678 ENCL | 1 |
| 13 | HNG006_H1 | HINGE, LOOSE JOINT, 4X4", 1/4" PIN, LH | 8 |
| 14 | HNG006_H1_RH | HINGE, LOOSE JOINT, 4X4", 1/4" PIN, RH | 4 |
| 15 | LTH015 | LATCH, LIFT/TURN, SM | 8 |
| 16 | LTH011-PART A | | 2 |
| 17 | LTH011-PART B | | 2 |
| 18 | lth011-part c | | 2 |
| 19 | LTH012 | LATCH, STRIKER, FOR LTH011, GALV | 2 |
| 20 | EN174BF011 | DOOR, FRONT & BACK | 4 |
| 21 | EN174BF012 | DOOR, RT & LT SIDE, 14GA GALV | 2 |
| 22 | EN174BF019 | VENT PANEL, VB678, 14GA GALV | 1 |
| 23 | VNT017B0000 | VENT, 14X30, "V" LOUVERS | 1 |
| 24 | EN174BF020 | FAN MOUNT, VB678, 18" FAN | 1 |
| 25 | EN127AF014 | COVER, PIPING HOLE, 8" PIPE, 14GA GALV | 2 |

PROPRIETARY AND CONFIDENTIAL
THE INFORMATION CONTAINED IN THIS DRAWING IS THE SOLE PROPERTY OF REP Inc. ANY REPRODUCTION IN PART OR AS A WHOLE WITHOUT THE WRITTEN PERMISSION OF REP Inc. IS PROHIBITED.

| | | | | | |
|-------------|---------|--------------------------------------|---------|------|---|
| | | UNLESS OTHERWISE SPECIFIED: | DATE | NAME |  <small>REP Inc. 2405 Murphy Blvd. Gainesville, GA 30504 800-536-9923</small> |
| | | DIMENSIONS ARE IN INCHES | 7-30-07 | AM | |
| | | TOLERANCES: | | | |
| | | FRACTIONAL ± | | | |
| | | ANGULAR: MACH ± BEND ± | | | TITLE: |
| | | TWO PLACE DECIMAL ± | | | ENCLOSURE ASSY, VB 678 |
| | | THREE PLACE DECIMAL ± | | | 114"L X 56"W X 112"H |
| | | INTERPRET GEOMETRIC TOLERANCING PER: | | | HRS, ATTN, W/ OUT VENT. |
| | | MATERIAL | | | SIZE |
| NEXT ASSY | USED ON | FINISH | | | B |
| APPLICATION | | WEIGHT: | | | DWG. NO. |
| | | | | | EN174B00H1 |
| | | | | | REV |
| | | | | | SALES DWG |
| | | | | | SHEET 2 OF 2 |