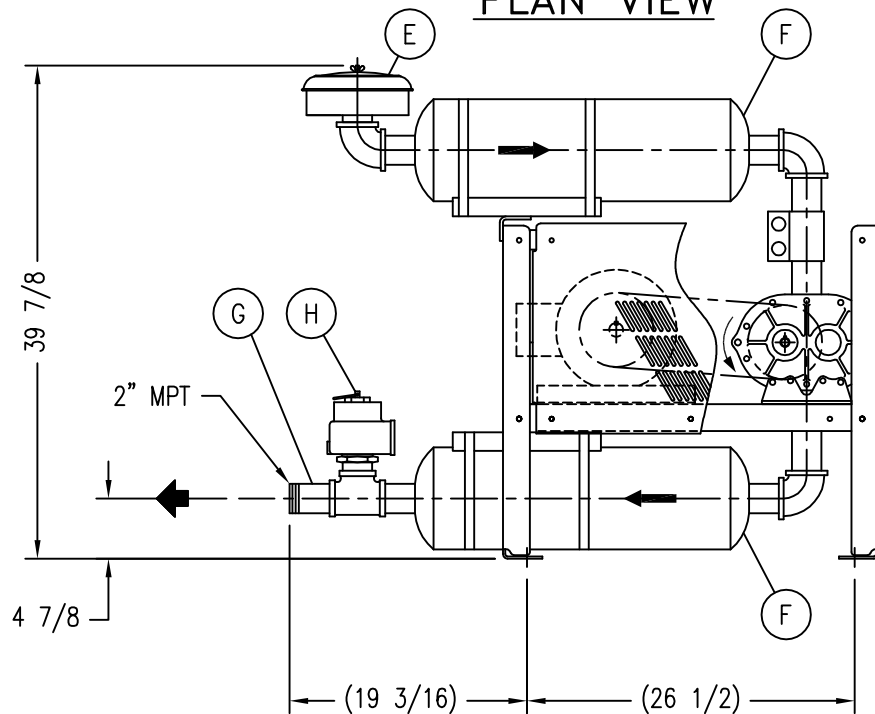


PLAN VIEW




ELEVATION VIEW

ITEM	QTY	PART NO.	DESCRIPTION	EXT	UM	MATL NO.
A	1	BA169 B 0000	BASE WELDMENT			
B	1	BLW33URAILC	BLOWER, ROOTS, 33 URAI-LHC			
C	1	MTR005T	MOTOR, AC, 5 HP, 1800 RPM, TEFC			
D	1	BSE005	BASE, MOTOR, 184T			
E	1	FLT046	FILTER, UNIVERSAL, CCF-2			
F	2	SIL003	SILENCER, URB-2, 2" MPT, IN LINE			
G	1	VLV004	VALVE, CHECK, 2" MPT X 2" MPT			
H	1	VRW PS10 P090	VALVE, RELIEF, 1" SET @ 9 PSI			
J	1	PA002 N F006	GAUGE ASSY, 0-15 PSI, 2-1/2" DIA			

NOTE:

1. ALL DIMENSIONS ARE APPROXIMATE AND SUBJECT TO CHANGE.
2. CERTIFIED DRAWINGS AVAILABLE UPON REQUEST.
3. DIMENSIONS ARE IN INCHES, BRACKETED [] DIMENSIONS ARE MILLIMETERS.
4. UNLESS OTHERWISE NOTED, DIMENSIONS ARE $\pm 1/4"$.
5. CUSTOMER MUST SUPPORT OUTLET CONNECTION.

 SEE SEPARATE BILL FOR DRIVE INFORMATION.

REV	DESCRIPTION	DATE	BY
		ROTATING ENGINEERED PRODUCTS, INC. 2405 MURPHY BOULEVARD GAINESVILLE, GA. 30504 TOLL FREE: (800) 536-9933, (770) 538-0020, FAX: (770) 538-0022	
SCALE: NTS		TITLE: BLOWER PRESSURE PACKAGE	
DRAWN BY: BB/AM		DATE: 4-28-09	
CHECKED BY:		DATE:	
APPD. BY:		DATE:	
MODEL/CUSTOMER		DRAWING NO. P233URT05NA1EAB	SHEET NO. REV. 1 OF 1