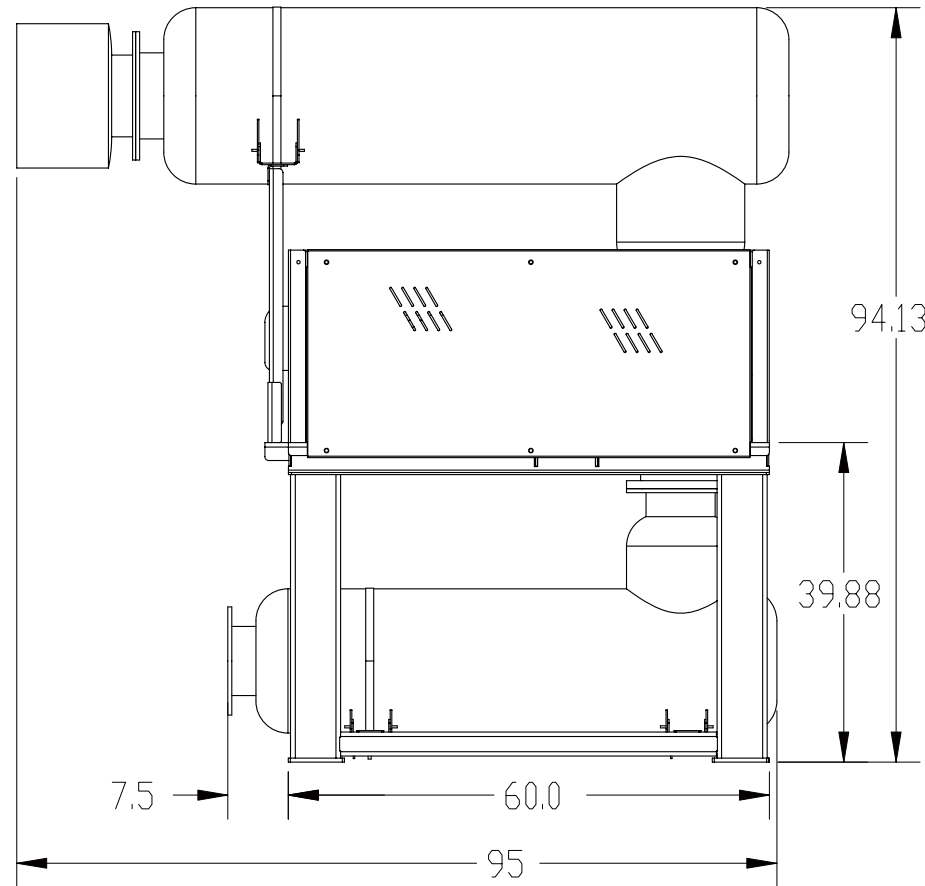
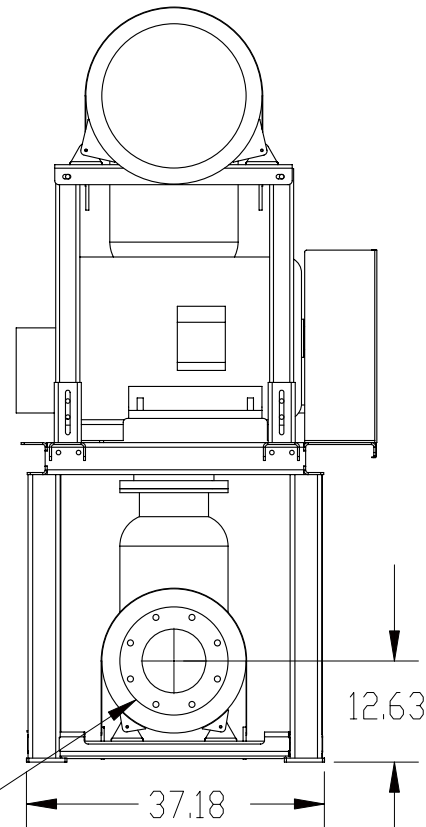
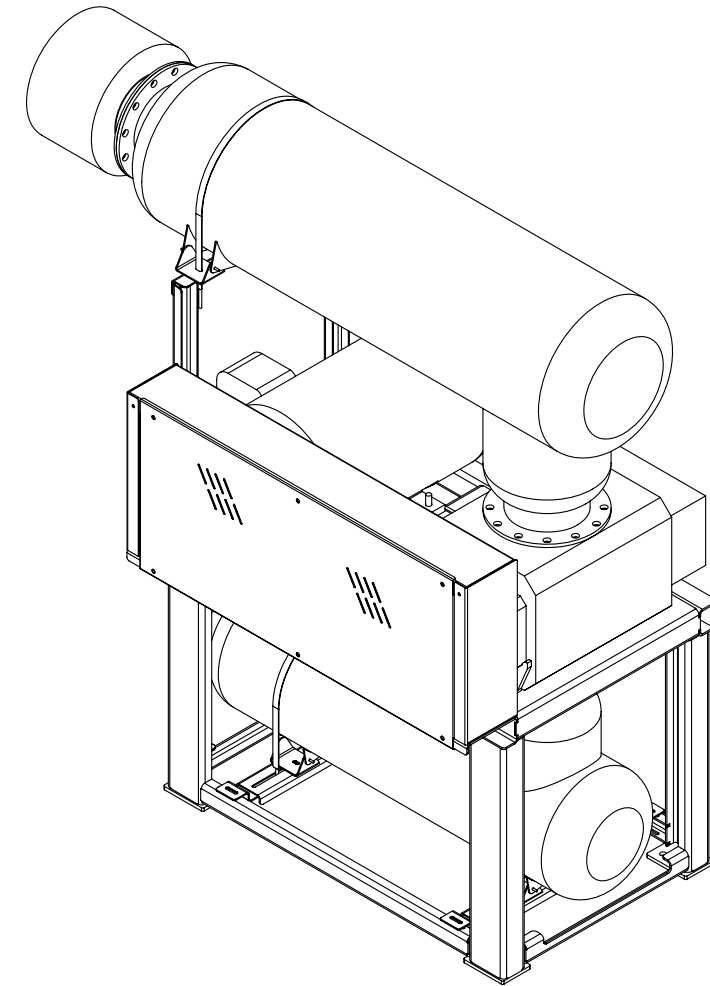
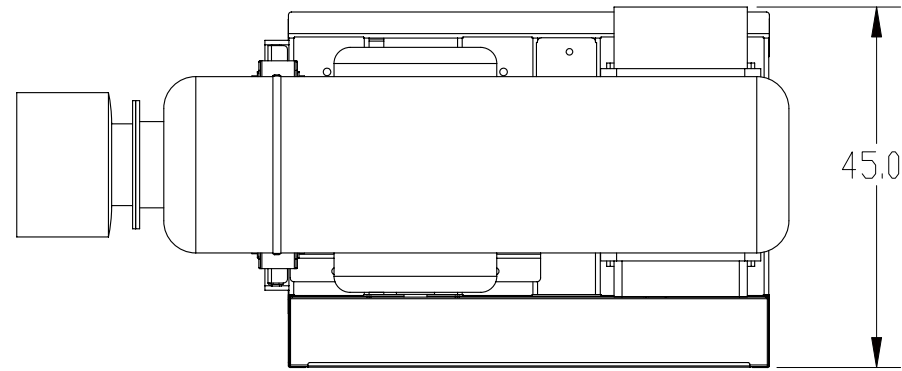


DWG. NO.
P3624JT1ANE1EXX

REVISIONS				
ZONE	REV.	DESCRIPTION	DATE	APPROVED
	A			
	B			
	C			



8" 150LB
DRILLED
FLG

12.63

37.18

94.13

39.88

7.5

60.0

95

PROPRIETARY AND CONFIDENTIAL
THE INFORMATION CONTAINED IN THIS
DRAWING IS THE SOLE PROPERTY OF
REP Inc. ANY REPRODUCTION IN PART OR
AS A WHOLE WITHOUT THE WRITTEN
PERMISSION OF REP Inc. IS PROHIBITED.

		UNLESS OTHERWISE SPECIFIED:	DATE	NAME	REP Inc. 2405 Murphy Blvd. Gainesville, GA 30504 800-536-9933
		DIMENSIONS ARE IN INCHES TOLERANCES: FRACTIONAL ± ANGULAR: MACH ± BEND ± TWO PLACE DECIMAL ± THREE PLACE DECIMAL ±			
		INTERPRET GEOMETRIC TOLERANCING PER:			SIZE DWG. NO. REV B P3624JT1ANE1EXX
		MATERIAL			
		FINISH --			
NEXT ASSY	USED ON	WEIGHT:			
APPLICATION					

SIZE DWG. NO. REV
B P3624JT1ANE1EXX

SCALE: 1:24 SHEET 1 OF 1