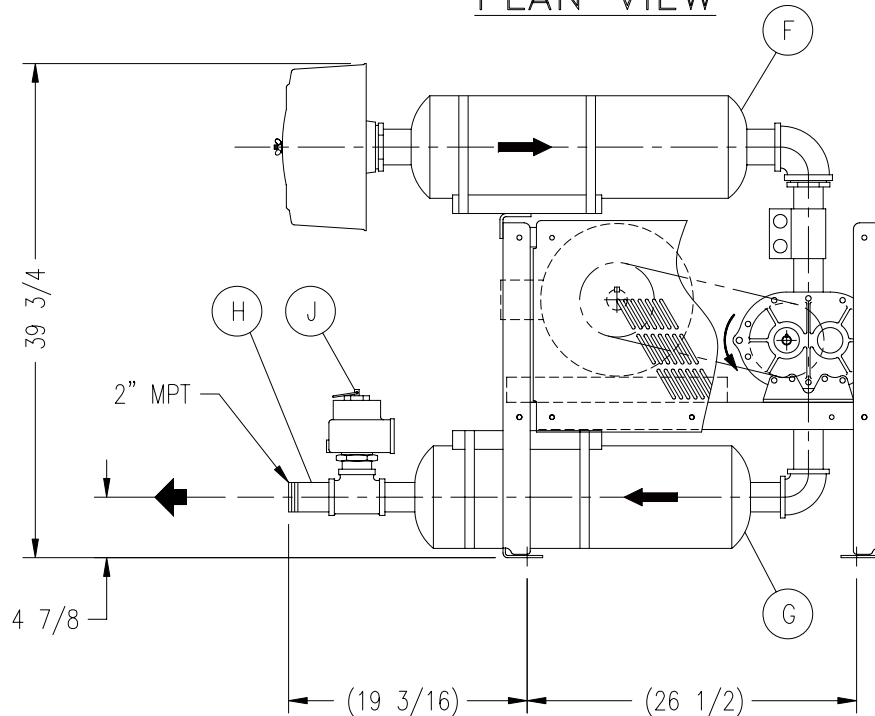


PLAN VIEW




ELEVATION VIEW

ITEM	QTY	PART NO.	DESCRIPTION	EXT	UM	MATL NO.
A	1	BA169 B 0000	BASE WELDMENT			
B	1	BLW33URAILC	BLOWER, ROOTS, 33 URAI-LHC			
C	1	MTR162T	MOTOR, AC, 7-1/2 HP, 1800 RPM, TEFC			
D	1	BSE006	BASE, MOTOR, 213T			
E	1	FLT047	FILTER, UNIVERSAL, CCF-2.5			
F	1	SIL028	SILENCER, SD-2.5, 2-1/2" MPT, IN LINE			
G	1	SIL003	SILENCER, URB-2, 2" MPT, IN LINE			
H	1	VLV004	VALVE, CHECK, 2" MPT X 2" MPT			
J	1	VRS PK20 P07	VALVE, RELIEF, 2" SET @ 7 PSI			
K	1	PA002 N F006	GAUGE ASSY, 0-15 PSI, 2-1/2" DIA			

NOTE:

1. ALL DIMENSIONS ARE APPROXIMATE AND SUBJECT TO CHANGE.
  2. CERTIFIED DRAWINGS AVAILABLE UPON REQUEST.
  3. DIMENSIONS ARE IN INCHES, BRACKETED [ ] DIMENSIONS ARE MILLIMETERS.
  4. UNLESS OTHERWISE NOTED, DIMENSIONS ARE ± 1/4".
  5. CUSTOMER MUST SUPPORT OUTLET CONNECTION.
- △ 6 SEE SEPARATE BILL FOR DRIVE INFORMATION.

REV	DESCRIPTION	DATE	BY
		ROTATING ENGINEERED PRODUCTS, INC. 2405 MURPHY BOULEVARD GAINESVILLE, GA. 30504 TOLL FREE: (800) 536-9933, (770) 538-0020, FAX: (770) 538-0022	
SCALE: NTS		TITLE: BLOWER PRESSURE PACKAGE	
DRAWN BY: BB		DATE: 2-26-07	
CHECKED BY:		DATE:	
APPD. BY:		DATE:	
MODEL/CUSTOMER		DRAWING NO. P333URT7HNC1AAB	SHEET NO. REV. 1 OF 1