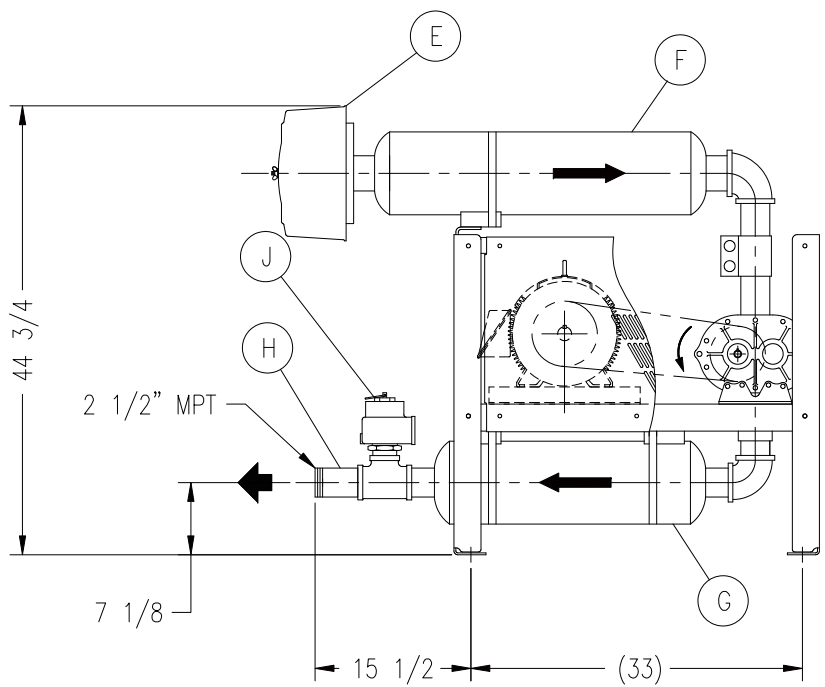


PLAN VIEW




ELEVATION VIEW

ITEM	QTY	PART NO.	DESCRIPTION	EXT	UM	MATL NO.
A	1	BA166 B 0000	BASE WELDMENT			
B	1	BLW45URAILC	BLOWER, ROOTS, 45 URAI-LHC			
C	1	MTR161T	MOTOR, AC, 7.5 HP, 1800 RPM, TEFC			
D	1	BSE006	BASE, MOTOR, 213T			
E	1	FLT048	FILTER, SIL, UNIVERSAL, CCF-3			
F	1	SIL029	SIL, SD-3, 3" MPT, IN LINE			
G	2	SIL028	SIL, SD-2-1/2, 2-1/2" MPT, IN LINE			
H	1	VLV004	VALVE, CHECK, 2 1/2" MPT X 2 1/2" MPT			
J	1	VRS PK20 P06	VALVE, RELIEF, 2" SET @ 6 PSI			
K	1	PA002 N F006	GAUGE ASSY, 0-15 PSI, 2-1/2" DIA			

NOTE:

1. ALL DIMENSIONS ARE APPROXIMATE AND SUBJECT TO CHANGE.
2. CERTIFIED DRAWINGS AVAILABLE UPON REQUEST.
3. DIMENSIONS ARE IN INCHES, BRACKETED [] DIMENSIONS ARE MILLIMETERS.
4. UNLESS OTHERWISE NOTED, DIMENSIONS ARE ± 1/4".
5. CUSTOMER MUST SUPPORT OUTLET CONNECTION.

△ SEE SEPARATE BILL FOR DRIVE INFORMATION.

REV	DESCRIPTION	DATE	BY
		ROTATING ENGINEERED PRODUCTS, INC. 2405 MURPHY BOULEVARD GAINESVILLE, GA. 30504 TOLL FREE: (800) 536-9933, (770) 538-0020, FAX: (770) 538-0022	
SCALE: NTS		TITLE: BLOWER PRESSURE PACKAGE ROOTS 45 URAI, 7.5 HP, 213T FRAME P3 CONFIGURATION	
DRAWN BY: BB	DATE: 7-12-2005	MODEL/CUSTOMER	DRAWING NO. P345URT7HNC1AAB
CHECKED BY:	DATE:	SHEET NO. 1	REV. 1
APPD. BY:	DATE:		