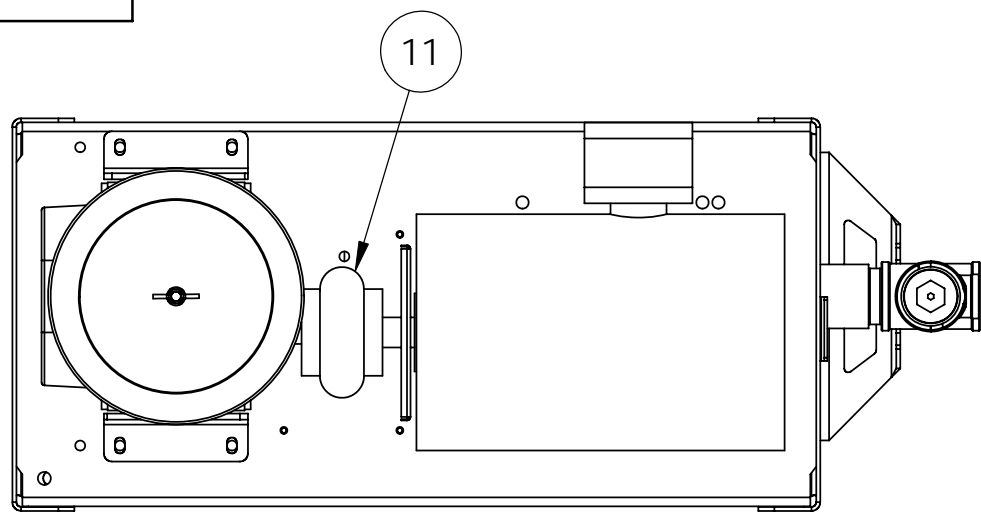
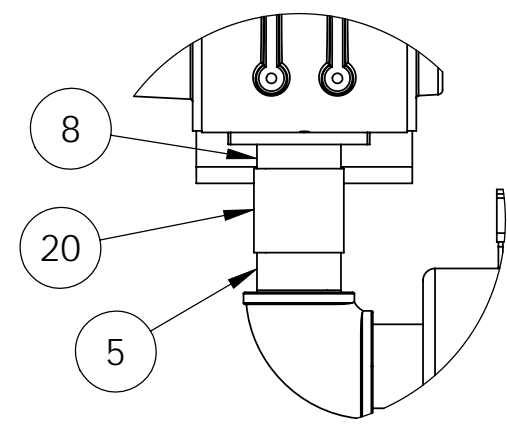


DWG. NO.
PD404FT25FC32AH

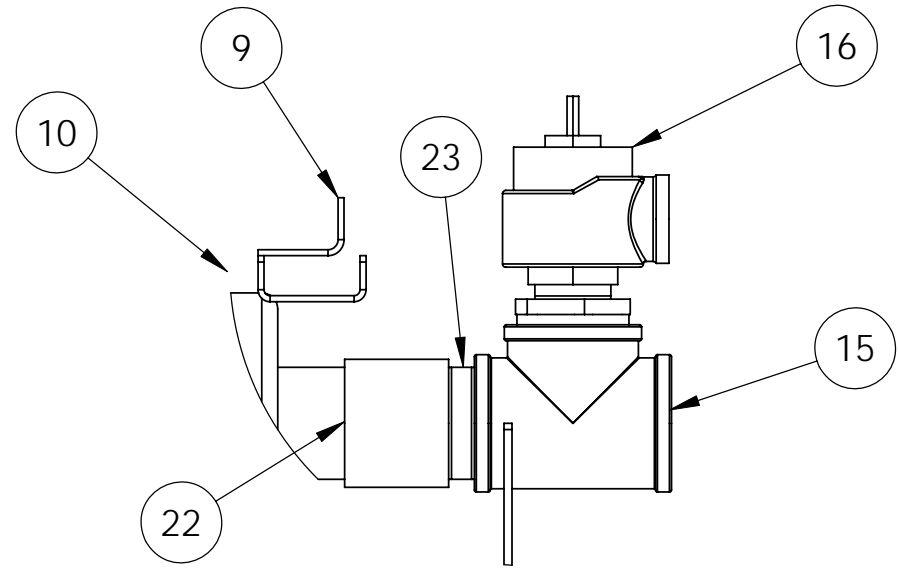
REVISIONS				
ZONE	REV.	DESCRIPTION	DATE	APPROVED



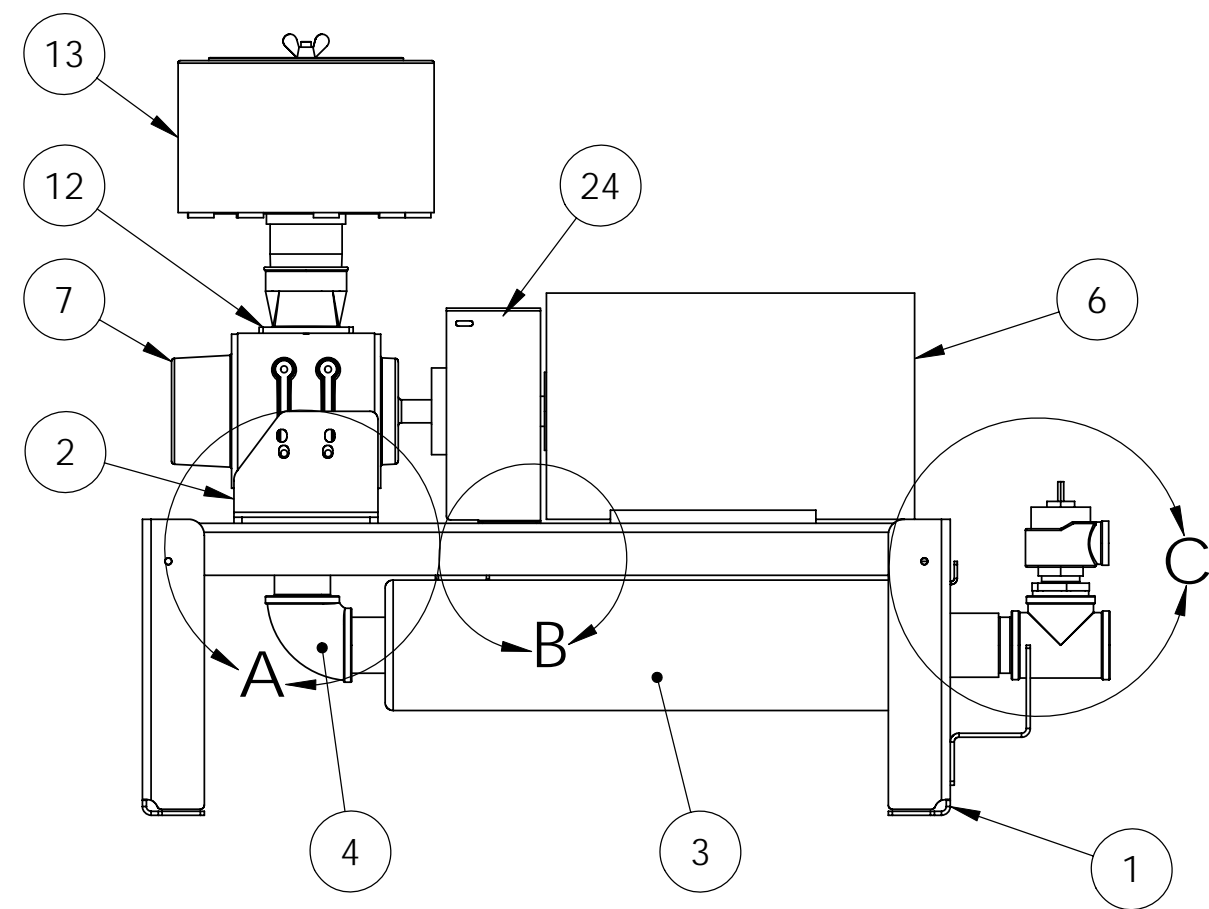
TOP VIEW



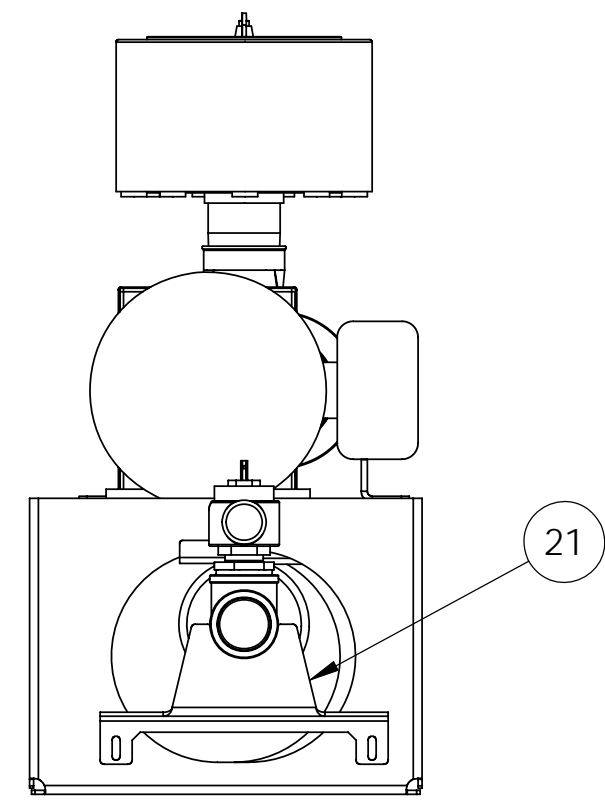
DETAIL A
SCALE 1 : 8



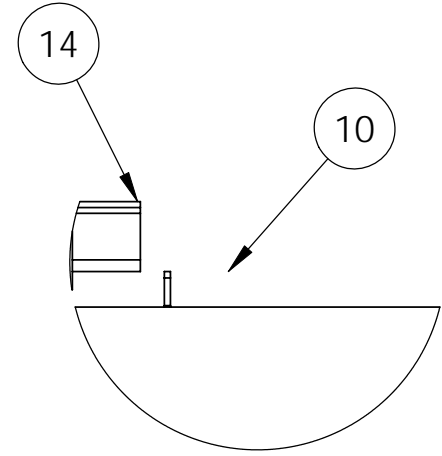
DETAIL C
SCALE 1 : 6



LEFT SIDE VIEW




FRONT VIEW



DETAIL B
SCALE 1 : 6

PROPRIETARY AND CONFIDENTIAL
THE INFORMATION CONTAINED IN THIS DRAWING IS THE SOLE PROPERTY OF REP Inc. ANY REPRODUCTION IN PART OR AS A WHOLE WITHOUT THE WRITTEN PERMISSION OF REP Inc. IS PROHIBITED.

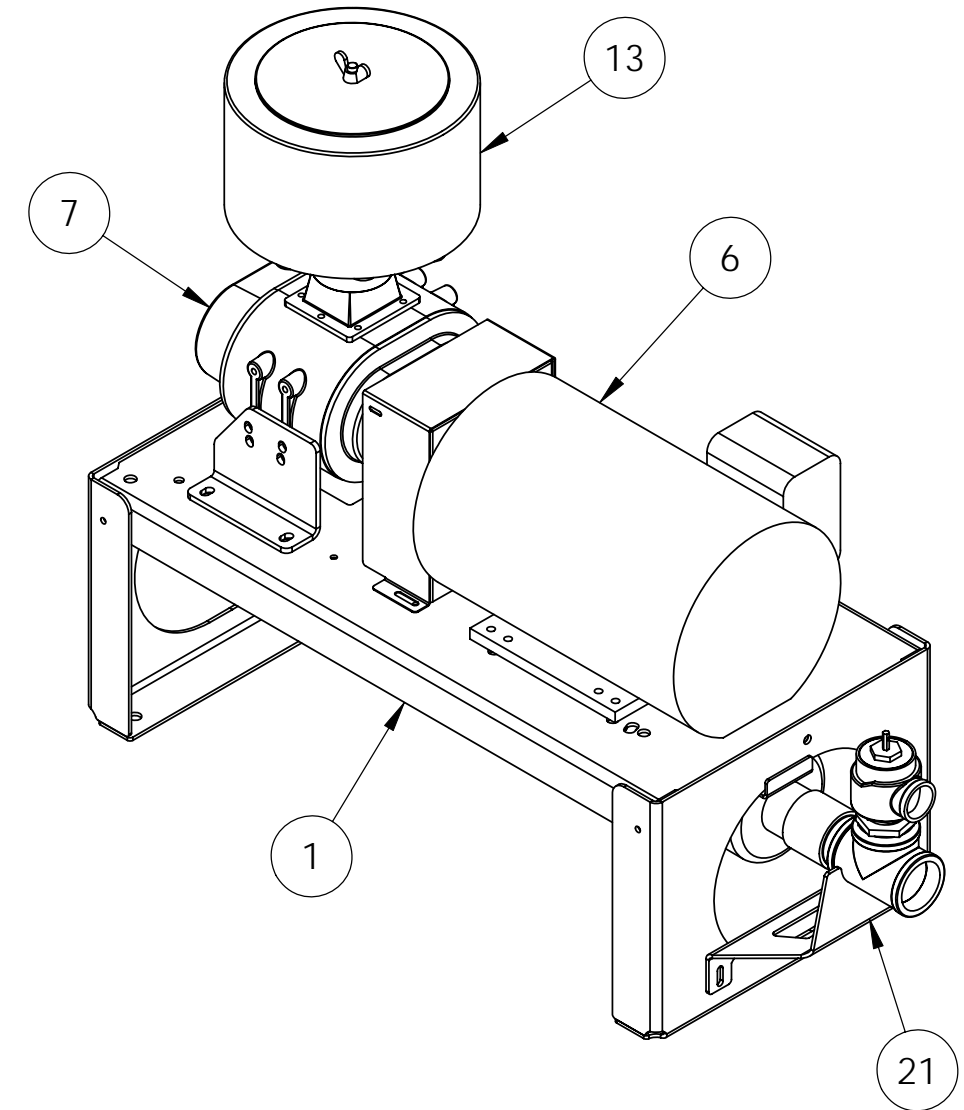
UNLESS OTHERWISE SPECIFIED:		DATE	NAME	 REP Inc. 2405 Murphy Blvd. Gainesville, GA 30504 800-536-9933
DIMENSIONS ARE IN INCHES		DRAWN	JLH	
TOLERANCES:		CHECKED		
FRACTIONAL ±		ENG APPR.		
ANGULAR: MACH ± BEND ±		MFG APPR.		
TWO PLACE DECIMAL ±		Q.A.		
THREE PLACE DECIMAL ±		COMMENTS:		
INTERPRET GEOMETRIC TOLERANCING PER:				
MATERIAL:				
FINISH:				
NEXT ASSY	USED ON			
APPLICATION				

TITLE:		
PACKAGE, ROOTS-FLO MODEL 404		
25 HP MOTOR, 284TS FR		
4" INLET, 3" DISCHARGE		
SIZE	DWG. NO.	REV
B	PD404FT25FC32AH	
SCALE: 1:24	WEIGHT:	SHEET 1 OF 2


DWG. NO.
PD404FT25FC32AH

REVISIONS				
ZONE	REV.	DESCRIPTION	DATE	APPROVED

ITEM NO.	PART NUMBER	DESCRIPTION	QTY.
1	BA154BF009	BASE,ROOTSFLO,4504 & 4506 DIRECT COUPLED	1
2	BK139AF008	BKT,ROOTSFLOW,4504,4506	2
3	SD-3	Universal SD-3	1
4	3 EL 90 CI		1
5	TOE068A	NPL,3"NPTX4.25,TOE,BLK	1
6	25HP, 284TS	25 & 30 HP TS MOTORS	1
7	4504 Rootsflo	4504 Rootsflo	1
8	CN002A0000	CONNECTOR WELDMENT,3" PIPE,INLET & OUTLET,ROOTSFLO 404	1
9	BK035A0000	BRACKET,VB,OUTBOARD ANGLE	1
10	BK034AF001	SILENCER VB SADDLE BRACKET, 4"L	2
11	CPL158	REXNORD,E30	1
12	BLPT30029021	CONNECTOR,ROOTSFLO,4504,4" LONG	1
13	FS-274P-400	"FS" Series 3" - 6" MPT	1
14	BK039A0000	BRACKET,VB,INBOARD HANGER	1
15	3x3x3 TEE		1
16	VRSPK20	VALVE,RELIEF,KUNKLE,2"	1
17	3x2 Hex Bushing	BUSHING,3X2" BLACK	1
24	GD145BF001	GUARD, MOTOR SIDE, WELDMENT	1
20	HSE007	HSE,4-1/2",SILICONE,COOLANT	1
21	BK200AF003	BKT,DISCH PIPE SUPPORT,4504 W/4" SILENCER	1
22	CPL013A	CPL.6"NPT,PPE,BLK,FULL	1
23	NPL011A	NPL,3/4"SCH40X3,GAL	1



PROPRIETARY AND CONFIDENTIAL
THE INFORMATION CONTAINED IN THIS DRAWING IS THE SOLE PROPERTY OF REP Inc. ANY REPRODUCTION IN PART OR AS A WHOLE WITHOUT THE WRITTEN PERMISSION OF REP Inc. IS PROHIBITED.

UNLESS OTHERWISE SPECIFIED:		DATE	NAME	 REP Inc. 2405 Murphy Blvd. Gainesville, GA 30504 800-536-9933
DIMENSIONS ARE IN INCHES TOLERANCES: FRACTIONAL ± ANGULAR: MACH ± BEND ± TWO PLACE DECIMAL ± THREE PLACE DECIMAL ±		DRAWN	JLH	
INTERPRET GEOMETRIC TOLERANCING PER:		CHECKED		TITLE: PACKAGE, ROOTS-FLO MODEL 404 25 HP MOTOR, 284TS FR 4" INLET, 3" DISCHARGE
MATERIAL:		ENG APPR.		
FINISH:		MFG APPR.		
NEXT ASSY	USED ON	Q.A.		SIZE DWG. NO. REV B PD404FT25FC32AH
APPLICATION		COMMENTS:		SCALE: 1:24 WEIGHT: SHEET 2 OF 2