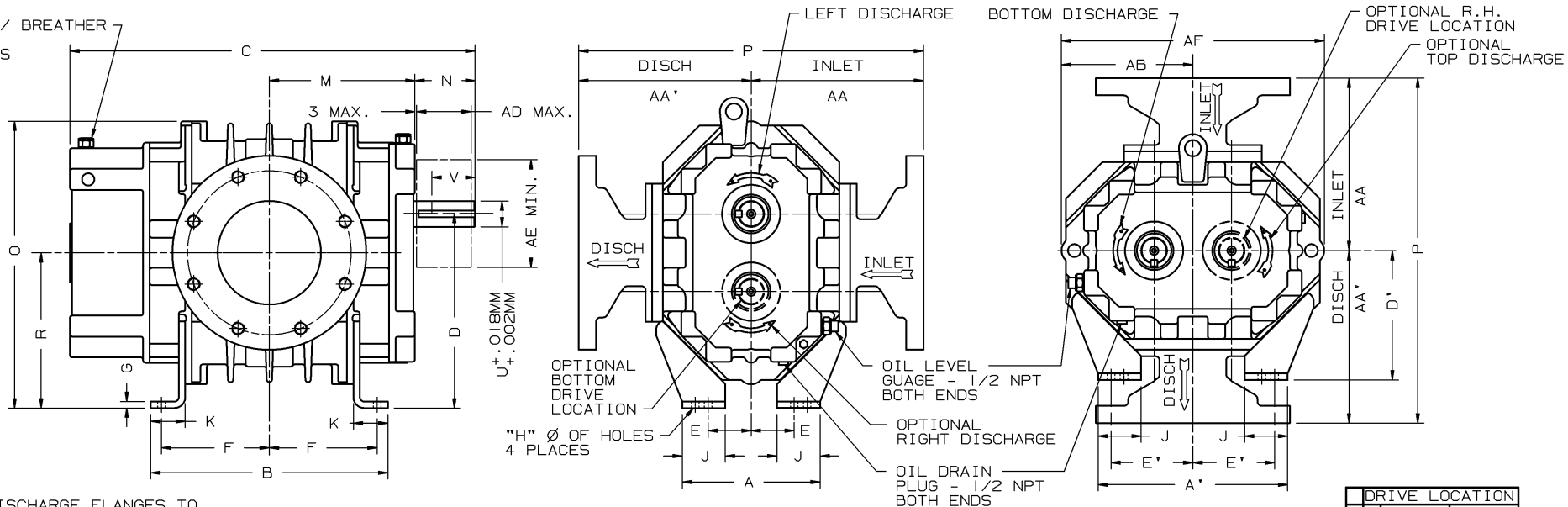


OIL FILL/ BREATHER  
1/2 NPT  
BOTH ENDS



INLET & DISCHARGE FLANGES TO  
MATE FLUSH & SQUARE WITH  
FLAT FACE FLANGE ONLY.  
USE FULL FACE GASKETS.

V-BELT DRIVEN UNITS: MOTOR  
TO BE LOCATED ON INLET SIDE  
OF BLOWER.

AD - MAXIMUM SHEAVE WIDTH  
(SEE OVERHUNG LOAD LIMIT K-24102)

AE - MINIMUM SHEAVE DIAMETER  
(SEE OVERHUNG LOAD LIMIT K-24102)

ALL DIMENSIONS IN MM, IMPERIAL DIMENSIONAL #90779021

ISO FLANGE DIMENSIONS						
	FA	FB	FC	FD	FE	FG
150 FLG	150	240	286	8	20X2.5	25.4
200 FLG	200	295	343	8	20X2.5	28.5
250 FLG	250	350	406	12	20X2.5	30.1

FA - FLANGE OPENING  
FB - FLANGE BOLT CIRCLE  
FC - FLANGE O.D.  
FD - No. TAPPED HOLES  
FE - SIZE OF TAPPED HOLES  
FG - DEPTH OF TAP

DRIVE LOCATION		
DISCH. LOCATION	TOP	RH
	CW	CCW
BOTTOM	CCW	CW

UNIT IS BUILT TO CUSTOMERS  
SPECIFIED ORIENTATION

MODEL	A	A'	B	C	D	D'	E	E'	F	G	H	J	K	M	N	O	P	R	U	V	KEYWAY	INLET AA	DISCH AA'	AB	AD	AE	AF	FLANGE SIZE	APPROX WEIGHT
155	203	279	350	597	286	191	64	121	159	10	11	64	51	214	89	422	508	229	35.0	63.5	10.0X5.0	254	254	194	78	180	387	150	162 KG
225	"	"	452	699	"	"	"	"	210	"	"	"	"	265	"	"	540	"	"	"	"	270	270	"	"	"	"	"	194 KG
280	"	"	534	781	"	"	"	"	251	"	"	"	"	306	"	"	546	"	"	"	"	273	273	"	"	"	"	200	236 KG
400	229	381	562	852	381	229	89	165	265	10	14	64	51	332	110	559	628	305	50.0	76.2	14.0X5.5	314	314	254	113	216	508	200	380 KG
500	"	"	668	958	"	"	"	"	318	"	"	"	"	386	"	"	658	"	"	"	"	329	329	"	"	"	"	250	453 KG

CERTIFIED CORRECT FOR CUSTOMER ORDER No. _____		V-BELT DRIVE DATA		 <b>RAM X™</b> <b>TRILOBE BLOWERS</b> METRIC MODELS 155 THRU 500	 <b>Dresser ROOTS, Dresser, Inc.</b> Connersville, IN USA	RDR _____ DR _____		<b>90780021</b>	REV. _____
ROOTS ORDER No. _____		BELTS _____				CHKD _____			
DATE _____		DRIVE SHEAVE _____				APP _____			
REVISIONS _____		DRIVEN SHEAVE _____				BY _____			
		CENTER DISTANCE _____							

PRINTED IN U.S.A.

90780A21 XXAD