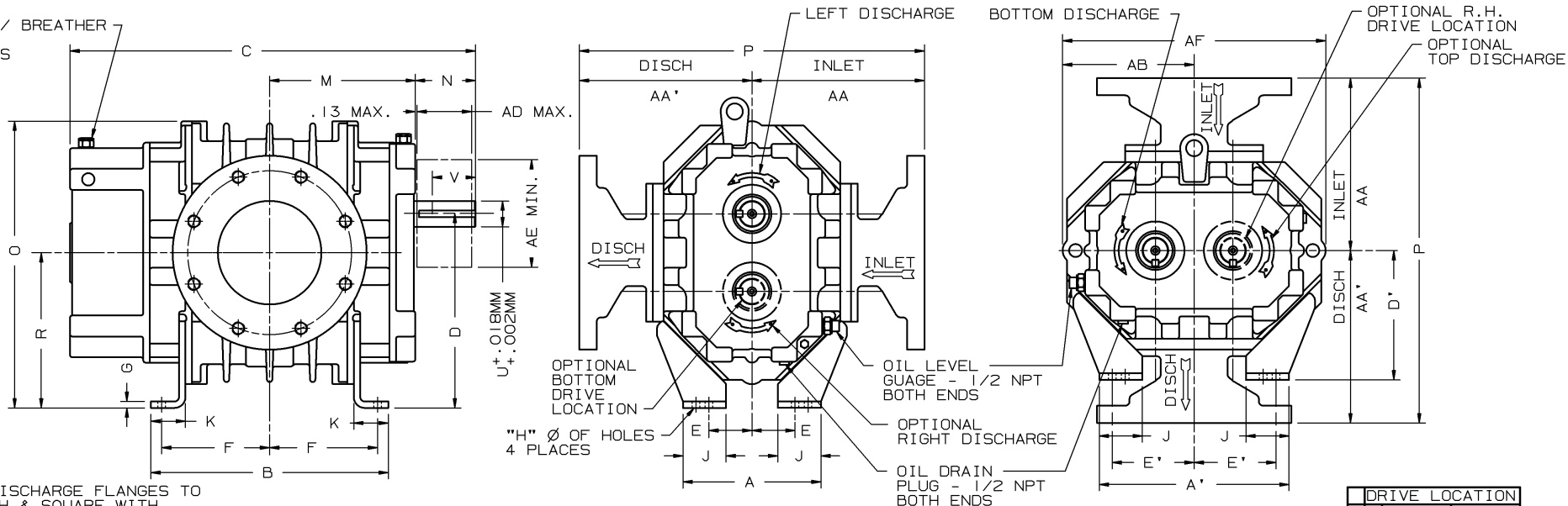


OIL FILL/ BREATHER  
1/2 NPT  
BOTH ENDS



INLET & DISCHARGE FLANGES TO MATE FLUSH & SQUARE WITH FLAT FACE FLANGE ONLY. USE FULL FACE GASKETS.

V-BELT DRIVEN UNITS: MOTOR TO BE LOCATED ON INLET SIDE OF BLOWER.

AD - MAXIMUM SHEAVE WIDTH (SEE OVERHUNG LOAD LIMIT K-24102)

AE - MINIMUM SHEAVE DIAMETER (SEE OVERHUNG LOAD LIMIT K-24102)

ALL DIMENSIONS IN INCHES UNLESS OTHERWISE SPECIFIED METRIC DIMENSIONAL #90780021

ANSI FLANGE DIMENSIONS						
	FA	FB	FC	FD	FE	FG
6 FLG	6.00	9.50	11.25	8	.75-10	1.00
8 FLG	8.00	11.75	13.50	8	.75-10	1.13
10 FLG	10.00	14.25	16.00	12	.88-9	1.19

FA - FLANGE OPENING  
FB - FLANGE BOLT CIRCLE  
FC - FLANGE O.D.  
FD - No. TAPPED HOLES  
FE - SIZE OF TAPPED HOLES  
FG - DEPTH OF TAP

DRIVE LOCATION		
DISCH. LOCATION	TOP	RH
	CW	CCW
BOTTOM	CCW	CW

UNIT IS BUILT TO CUSTOMERS SPECIFIED ORIENTATION

MODEL	A	A'	B	C	D	D'	E	E'	F	G	H	J	K	M	N	O	P	R	U	V	KEYWAY	INLET	DISCH	AB	AD	AE	AF	FLANGE SIZE	APPROX WEIGHT
155	8.00	11.00	13.77	23.50	11.25	7.50	2.50	4.75	6.26	.38	.44	2.50	2.00	8.44	3.50	16.63	20.00	9.00	35.0	63.5	10.0X5.0	10.00	10.00	7.63	3.06	7.10	15.25	6"	356 LBS
225	"	"	17.78	27.50	"	"	"	8.26	"	"	"	"	"	10.44	"	"	21.25	"	"	"	"	10.63	10.63	"	"	"	"	"	428 LBS
280	"	"	21.03	30.75	"	"	"	9.88	"	"	"	"	"	12.06	"	"	21.50	"	"	"	"	10.75	10.75	"	"	"	"	8"	520 LBS
400	9.00	15.00	22.11	33.56	15.00	9.00	3.50	6.50	10.43	.38	.56	2.50	2.00	13.08	4.33	22.00	24.75	12.00	50.0	76.2	14.0X5.5	12.38	12.38	10.00	4.44	8.50	20.00	8"	836 LBS
500	"	"	27.73	37.73	"	"	"	12.52	"	"	"	"	"	15.17	"	"	25.88	"	"	"	"	12.94	12.94	"	"	"	"	10"	996 LBS

CERTIFIED CORRECT FOR		V-BELT DRIVE DATA		<b>RAM X™</b> <b>TRILOBE BLOWERS</b> MODELS 155 THRU 500	Dresser ROOTS, Dresser, Inc. Connersville, IN USA	RDR DR	CHKD APP	90779021	REV.
CUSTOMER ORDER No.		BELTS							
ROOTS ORDER No.		DRIVE SHEAVE							
DATE		DRIVEN SHEAVE							
REVISIONS		BY	CHANGE NOTICE	CHKD.	APP.	CENTER DISTANCE			

PRINTED IN U.S.A.

90779A21 XXAD