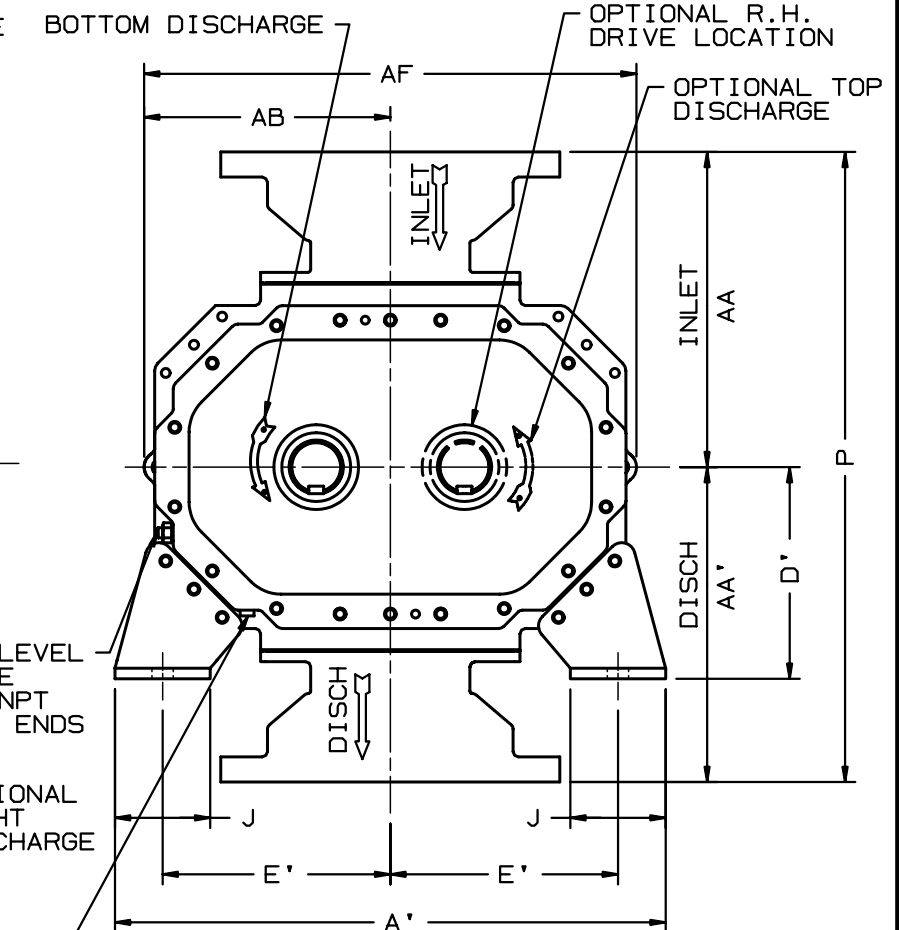
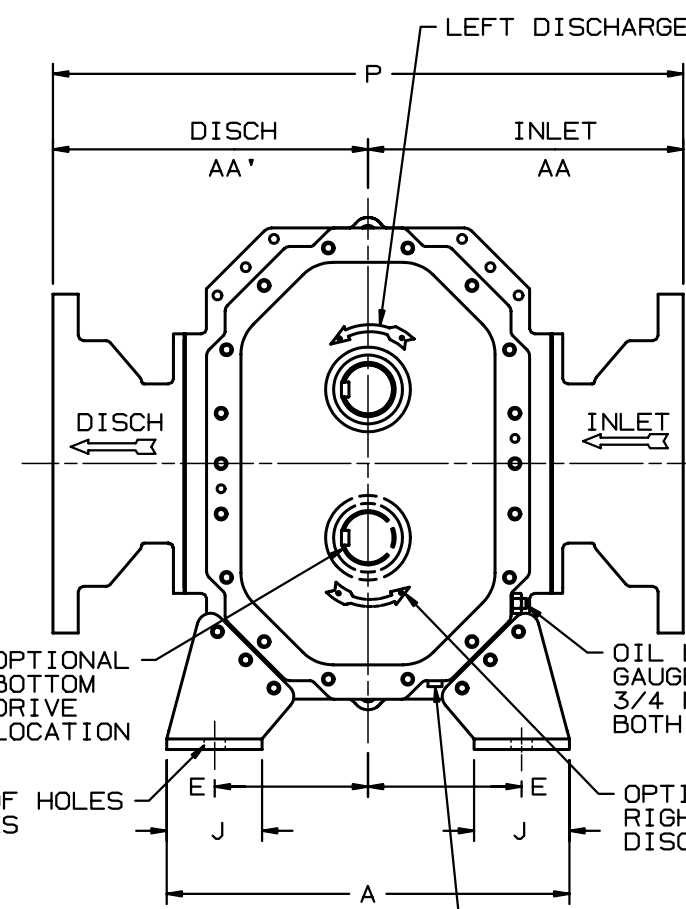
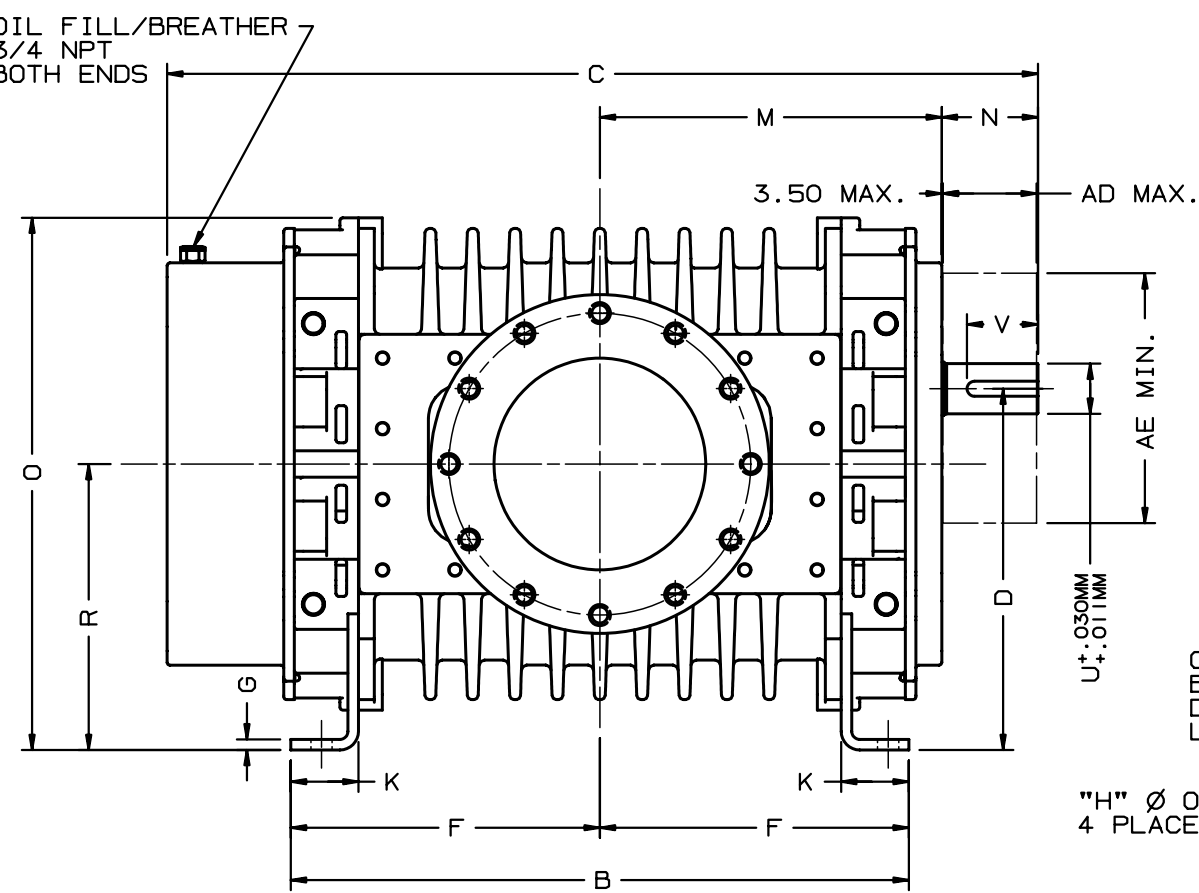


OIL FILL/BREATHER
3/4 NPT
BOTH ENDS



INLET & DISCHARGE FLANGES TO MATE FLUSH & SQUARE WITH FLAT FACE FLANGE ONLY. USE FULL FACE GASKETS.

V-BELT DRIVEN UNITS: MOTOR TO BE LOCATED ON INLET SIDE OF BLOWER.

AD - MAXIMUM SHEAVE WIDTH (SEE OVERHUNG LOAD LIMIT K-24102)

AE - MINIMUM SHEAVE DIAMETER (SEE OVERHUNG LOAD LIMIT K-24102)

ALL DIMENSIONS IN MM, IMPERIAL DIMENSIONAL #92517021

ISO FLANGE DIMENSIONS						
	FA	FB	FC	FD	FE	FG
250 FLG	254	350	406	12	20X2.5	30.2
350 FLG	305	400	483	12	20X2.5	31.8

FA - FLANGE OPENING
FB - FLANGE BOLT CIRCLE
FC - FLANGE O.D.
FD - No. TAPPED HOLES
FE - SIZE OF TAPPED HOLES
FG - DEPTH OF TAP

DRIVE LOCATION		
DISCH. LOCATION	DRIVE LOCATION	
	LH	RH
TOP	CW	CCW
BOTTOM	CCW	CW

UNIT IS BUILT TO CUSTOMERS SPECIFIED ORIENTATION

MODEL	A	A'	B	C	D	D'	E	E'	F	G	H	J	K	M	N	O	P	R	U MM	V MM	KEYWAY MM	INLET AA	DISCH AA'	AB	AD	AE	AF	FLANGE SIZE	APPROX WEIGHT
600	483	660	731	1046	432	254	184	273	337	13	25	114	76	410	116	638	756	343	60.0	76.2	18.0X7.0	378	378	295	112	300	590	250	675 KG
770	"	"	877	1192	"	"	"	"	410	"	"	"	"	483	"	"	810	"	"	"	"	405	405	"	"	"	"	350	820 KG

CERTIFIED CORRECT FOR CUSTOMER ORDER No. _____ ROOTS ORDER No. _____ DATE _____	V-BELT DRIVE DATA				RAM X™ TRILOBE BLOWERS METRIC MODELS 600 & 770			Dresser ROOTS, Dresser, Inc. Connersville, IN USA	92518021	REV.
	REVISIONS	BY	CHKD.	APP.						
	CENTER DISTANCE									
	DR	CHKD	APP							

PRINTED IN U.S.A.

92518021 XXAD