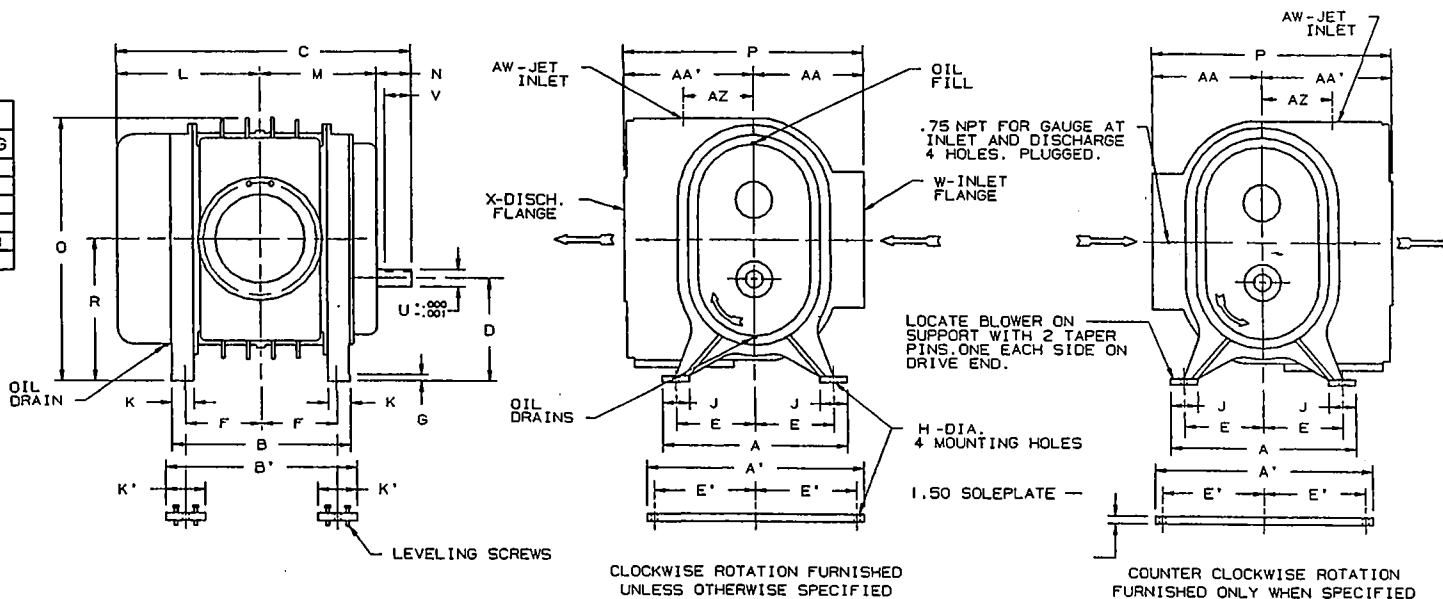




FRAME	OIL CAPACITY		SOLEPLATE
	GEARBOX	OGE COVER	WEIGHT
1000	1.39 GAL	1.08 GAL	200
1200	1.82 GAL	1.40 GAL	200

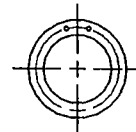
FLANGE DIMENSIONS				
	10 FLG	12 FLG	14 FLG	16 FLG
OPENING	10.00	12.00	14.00	16.00
BOLT CIRCLE	14.25	17.00	18.75	21.25
FLANGE O.D.	16.00	19.00	21.00	23.50
No. TAPPED HOLES	12	12	12	16
SIZE HOLES	.88-9	.88-9	1.00-8	1.00-8
TAP DEPTH	1.31	1.31	1.50	1.50



INLET & DISCHARGE FLANGES TO MATE FLUSH & SQUARE WITH FLAT FACE FLANGE ONLY.  
USE FULL FACE GASKETS.

SOLEPLATE:  
FURNISHED-----  
NOT FURNISHED---


1016 DVJ JET INLET DRILLING



## DVJ-V-CSL DRY VACUUM WHISPAIR COUPLING DRIVE - VERTICAL

ALL DIMENSIONS IN INCHES

FRAME	A	A'	B	B'	C	D	E	E'	F	G	H	J	K	K'	L	M	N	O	P	R	U	V	KEYWAY	W FLG	X FLG	AA	AA'	AW FLG	AZ	APPROX NET. WT.
1016 JV	27.00	36.00	23.25	26.50	41.00	14.500	11.50	16.50	0.25	1.00	1.13	4.75	3.38	6.00	20.13	16.25	4.63	34.88	31.63	19.50	2.250	3.63	.500 x .250	12	12	14.25	17.38	10	8.50	2400

CERTIFIED CORRECT FOR CUSTOMER ORDER No. _____ ROOTS ORDER No. _____ DATE _____	V-BELT DRIVE DATA		 DRESSER INDUSTRIES, INC ROOTS DIVISION 900 WEST MOUNT STREET CONNERSVILLE, INDIANA 47331
	BELTS		
	DRIVE SHEAVE		
	DRIVEN SHEAVE	A/ REMOVED 1220 JET INLET DRILLING(4730-B) DLM 7/9/96	
DATE	CENTER DISTANCE	REVISIONS	10-12-94 DR BMS 10/28/94 CHKD DB APP RDA 875-176-011