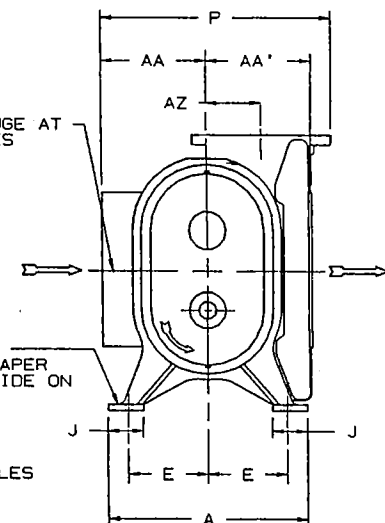
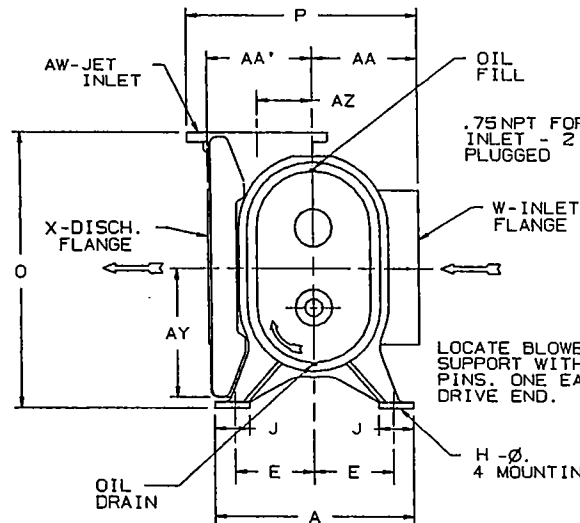
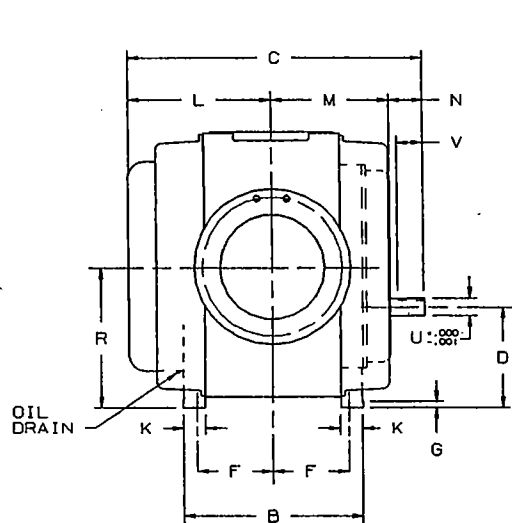


FRAME	OIL CAPACITY	
	GEARBOX	OGE COVER
1000	1.39 GAL	1.08 GAL

FLANGE DIMENSIONS		
	12 FLG	14 FLG
OPENING	12.00	14.00
BOLT CIRCLE	17.00	18.75
FLANGE O.D.	19.00	21.00
No. TAPPED HOLES	12	12
SIZE HOLES	.88-9	1.00-8
TAP DEPTH	1.31	1.50



INLET & DISCHARGE FLANGES TO MATE FLUSH & SQUARE WITH FLAT FACE FLANGE ONLY.

USE FULL FACE GASKETS.

CLOCKWISE ROTATION FURNISHED UNLESS OTHERWISE SPECIFIED

COUNTER CLOCKWISE ROTATION FURNISHED ONLY WHEN SPECIFIED

DVJ-V-CSL DRY VACUUM WHISPAIR COUPLING DRIVE - VERTICAL

ALL DIMENSIONS IN INCHES

FRAME	A	B	C	D	E	F	G	H	J	K	L	M	N	O	P	R	U	V	KEYWAY	W FLG	X FLG	AA	AA'	AW FLG	AY	AZ	APPROX NET. WT
1021 DVJ	27.00	27.75	45.50	14.500	11.50	12.50	1.00	1.13	4.75	3.38	22.38	18.50	4.63	38.00	31.25	19.50	2.250	3.63	.500 x .250	14	14	14.25	14.25	12	18.00	7.50	2525

CERTIFIED CORRECT FOR
 CUSTOMER ORDER No. _____
 ROOTS ORDER No. _____
 DATE _____

REVISIONS	DATE	BY	CHKD

ROOTS DRESSER DRESSER INDUSTRIES, INC
 ROOTS DIVISION
 900 WEST MOUNT STREET
 CONNERSVILLE, INDIANA 47331

DR BMS 11/20/74 APP LDA 877-028-011