

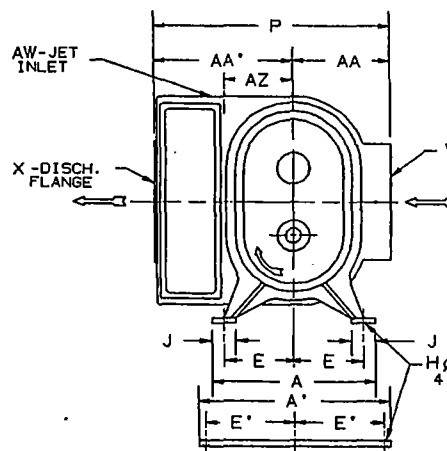
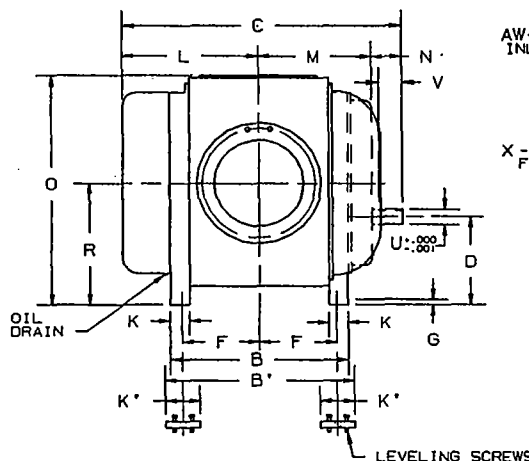
FRAME	OIL CAPACITY		SOLEPLATE
	GEARBOX	OGE COVER	WEIGHT
1400	3.73 GAL	2.65 GAL	300

FLANGE DIMENSIONS						
	AA	AB	AC	AD	AE	AG
16 FLG	16.00	21.25	23.50	16	1.00-8	1.50
18 FLG	18.00	22.75	25.00	"	1.13-7	1.69
20 FLG	20.00	25.00	27.50	20	"	"

AA - FLANGE OPENING  
 AB - FLANGE BOLT CIRCLE  
 AC - FLANGE O.D.  
 AD - No. TAPPED HOLES  
 AE - SIZE OF TAPPED HOLES  
 AG - DEPTH OF TAP

INLET & DISCHARGE FLANGES TO MATE FLUSH & SQUARE WITH FLAT FACE FLANGE ONLY.

USE FULL FACE GASKETS.



.75 NPT FOR GAUGE AT INLET AND DISCHARGE 4 HOLES. PLUGGED.

LOCATE BLOWER ON SUPPORT WITH 2 TAPER PINS, ONE EACH SIDE ON DRIVE END.

1.50 SOLEPLATE

CLOCKWISE ROTATION FURNISHED UNLESS OTHERWISE SPECIFIED

COUNTER CLOCKWISE ROTATION FURNISHED ONLY WHEN SPECIFIED

SOLEPLATE:  
 FURNISHED-----  
 NOT FURNISHED---

## DVJ-V-CSL DRY VACUUM WHISPAIR COUPLING DRIVE - VERTICAL

ALL DIMENSIONS IN INCHES

FRAME	A	A'	B	B'	C	D	E	E'	F	G	H	J	K	K'	L	M	N	O	P	R	U	V	KEYWAY	W FLG	X FLG	AA	AA'	AW FLG	AZ	APPROX NET. WT	
1428	34.00	44.00	36.25	41.00	57.88	18.750	14.50	20.50	16.50	1.13	1.25	5.25	4.13	8.00	28.31	23.31	6.25	47.56	46.75	25.75	3.000	4.75	.750 x .375	20	18	19.25	27.50	16	14.75	5600	
1431.5	"	"	39.25	44.00	61.38	"	"	"	18.25	"	"	"	"	"	30.06	25.06	"	"	46.75	"	"	"	"	"	"	"	"	"	"	"	6100

CERTIFIED CORRECT FOR

CUSTOMER ORDER No. \_\_\_\_\_  
 ROOTS ORDER No. \_\_\_\_\_  
 DATE \_\_\_\_\_

B	REVISED DIM C.L (51568) Bms (rev) '91
A	ADDED 1431.5 (4762B) DB
REVISIONS	

<b>ROOTS DRESSER</b>	DRESSER INDUSTRIES, INC ROOTS DIVISION 900 WEST MOUNT STREET CONNERSVILLE, INDIANA 47331		
	DR BMS	11/25/94 CHKD REM	11/26/94 APP RDA
877-041-0111			REV. B

PRINTED IN U.S.A.

F:\FILE\XXAD\77041A1