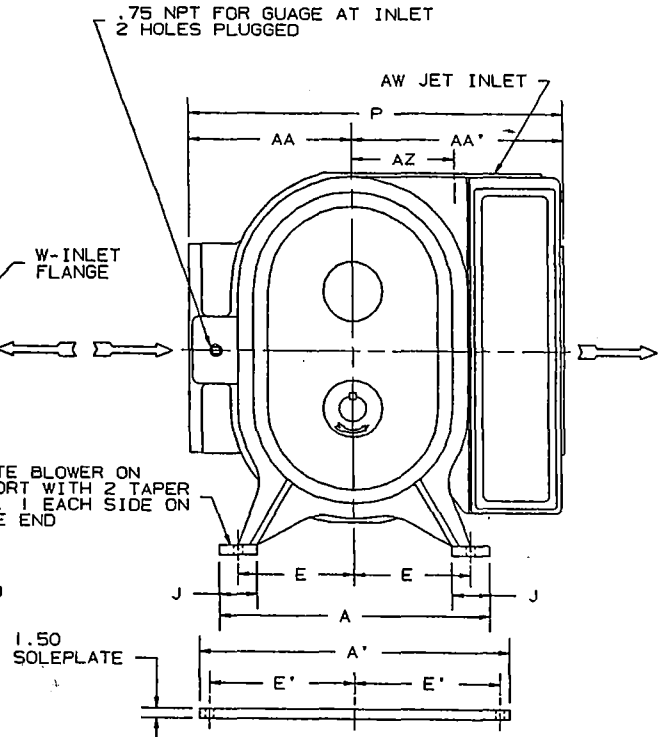
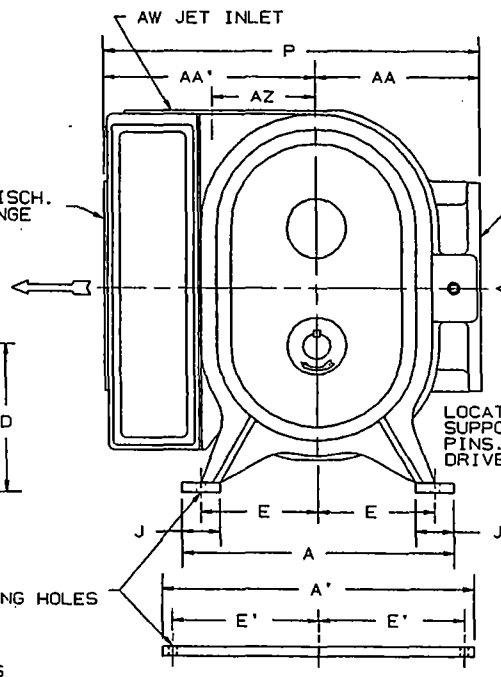
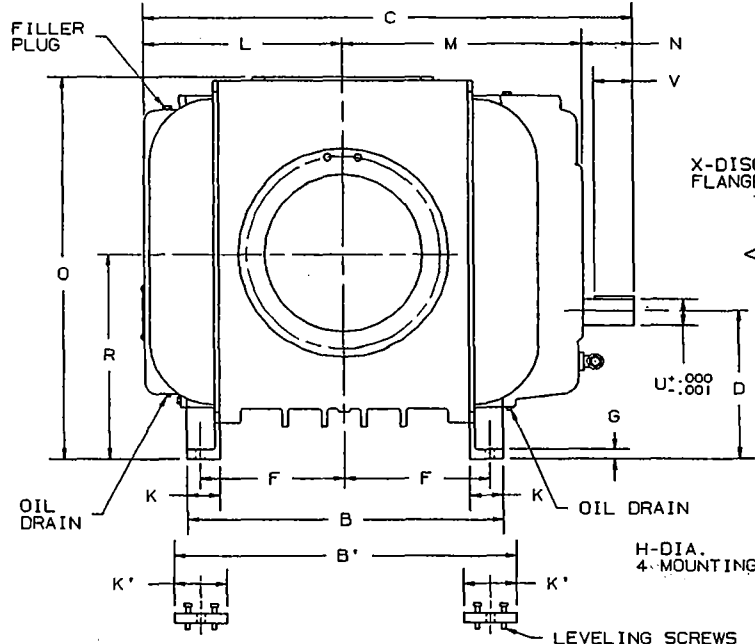


FRAME	OIL CAPACITY		SOLEPLATE
	GEARBOX	OGE COVER	WEIGHT
1800	3.00 GAL	2.46 GAL	350

AA - FLANGE OPENING
 AB - FLANGE BOLT CIRCLE
 AC - FLANGE O.D.
 AD - No. TAPPED HOLES
 AE - SIZE OF TAPPED HOLES
 AG - DEPTH OF TAP

INLET & DISCHARGE FLANGES TO MATE FLUSH & SQUARE WITH FLAT FACE FLANGE ONLY.
 USE FULL FACE GASKETS.

FLANGE DIMENSIONS						
	AA	AB	AC	AD	AE	AG
20 FLG	20.00	25.00	27.50	20	1.13-7	1.69
24 FLG	24.00	29.50	32.00	20	1.25-7	1.88



LOCATE BLOWER ON SUPPORT WITH 2 TAPER PINS. 1 EACH SIDE ON DRIVE END

CLOCKWISE ROTATION FURNISHED UNLESS OTHERWISE SPECIFIED

COUNTER CLOCKWISE ROTATION FURNISHED ONLY WHEN SPECIFIED

DVJ-V-CSL
 COUPLING DRIVE - VERTICAL

SOLEPLATE:
 FURNISHED-----
 NOT FURNISHED----

ALL DIMENSIONS IN INCHES

FRAME	A	A'	B	B'	C	D	E	E'	F	G	H	J	K	K'	L	M	N	O	P	R	U	V	KEYWAY	W FLG	X FLG	AA	AA'	AW FLG	AZ	APPROX NET. WT.	
1833 JV	41.00	52.00	43.50	47.50	69.81	23.250	7.63	24.50	19.75	1.50	1.38	5.75	5.00	8.00	28.06	34.00	7.75	59.25	56.75	32.25	4.188	6.06	1.00x.500	24	24	24.75	32.00	20	15.00	10500	
1838 JV	"	"	48.00	52.00	74.31	"	"	"	22.00	"	"	"	"	"	30.58	36.25	"	"	"	"	"	"	"	"	"	"	"	"	"	"	10800

CERTIFIED CORRECT FOR
 CUSTOMER ORDER No. _____
 ROOTS ORDER No. _____
 DATE _____

REVISIONS

ROOTS DRESSER

DRESSER INDUSTRIES, INC
 ROOTS DIVISION
 900 WEST MOUNT STREET
 CONNERSVILLE, INDIANA 47331

DR BMS
 11/25/44
 CHKD
 APP RDA
 877-004-011

PRINTED IN U.S.A.

/PARTS/XXAD/77004011