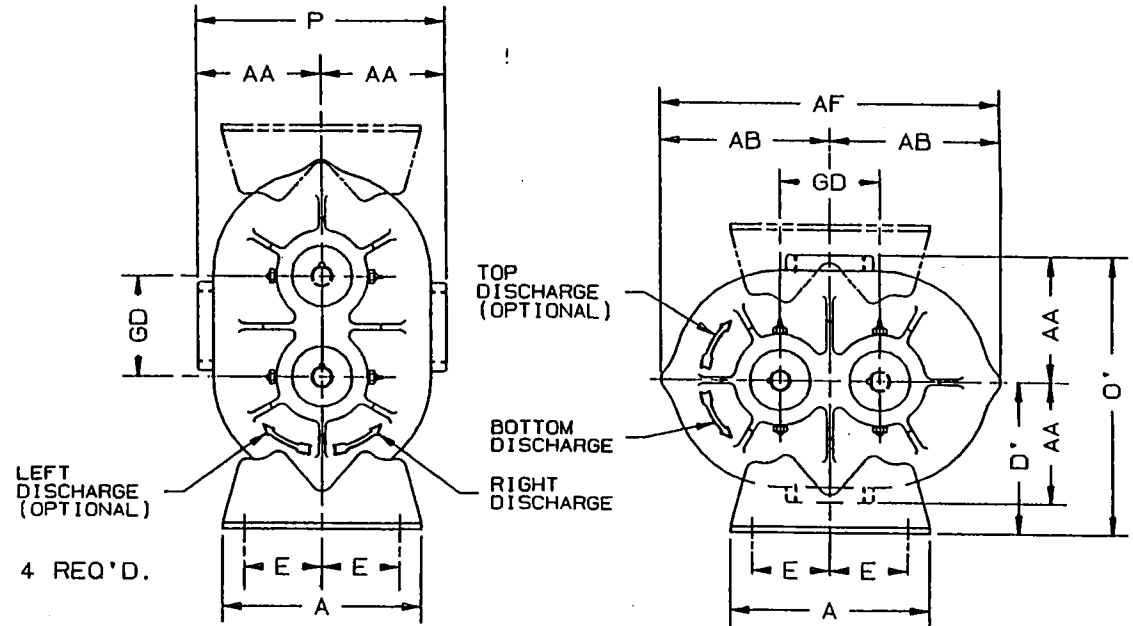
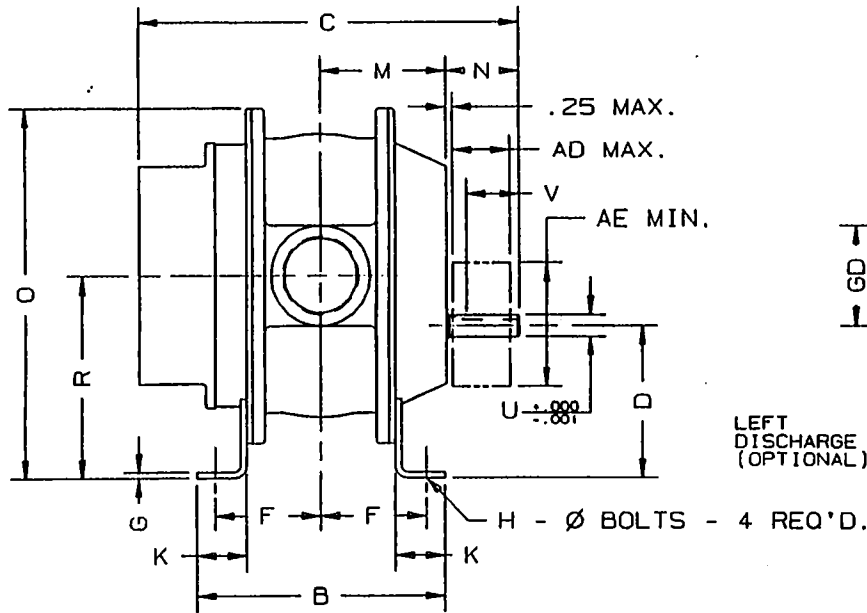


FRAME	APPROX. OIL CAPACITY	
	VERTICAL	HORIZONTAL
3-1/2	8.5 FL. OZ.	16 FL. OZ.
4	12.7 FL. OZ.	22.8 FL. OZ.
5	16.0 FL. OZ.	27.6 FL. OZ.



W - INLET & DISCHARGE  
 AD - SHEAVE WIDTH  
 AE - SHEAVE DIAMETER

ALL DIMENSIONS IN INCHES

## UNIVERSAL RAI-J WHISPAIR BLOWER

FRAME SIZE	GD	A	B	C	D	D'	E MIN.	E MAX.	F MIN.	F MAX.	G	H	K	M	N	O	O'	P	R	U	KEYWAY	W NPT.	V	AA	AB	AD	AE	AF	APPROX. WT. LBS
33	3.50	7.25	7.63	12.13	5.00	5.00	2.50	2.88	3.00	3.25	.25	.44	1.75	3.81	2.44	12.81	10.00	10.00	6.75	.750	.188x.094	2"	1.63	5.00	6.06	1.91	5.00	12.13	84
36	"	"	10.00	14.63	"	"	"	"	4.18	4.44	"	"	"	5.00	2.56	"	10.50	1.00	"	"	"	2-1/2"	1.75	5.50	"	"	"	"	112
45	4.00	8.00	10.00	15.50	6.25	6.25	3.00	3.13	3.56	4.25	.31	.44	2.00	5.06	2.94	15.08	12.25	2.00	8.25	.875	.188x.094	2-1/2"	2.13	6.00	6.81	2.31	5.00	13.63	119
47	"	"	11.75	17.63	"	"	"	"	4.63	5.38	"	"	"	5.94	3.31	"	"	"	"	"	"	3"	2.50	6.00	"	"	"	"	138
56	5.00	10.50	11.00	18.00	6.25	6.75	3.50	3.50	4.25	5.00	.25	.50	1.88	5.81	3.38	17.38	14.00	14.50	8.75	1.25	.25x.125	4"	2.50	7.25	8.63	3.06	6.00	17.25	180

CERTIFIED CORRECT FOR  
 CUSTOMER ORDER No. \_\_\_\_\_  
 ROOTS ORDER No. \_\_\_\_\_  
 DATE \_\_\_\_\_

V-BELT DRIVE DATA

BELTS	
DRIVE SHEAVE	B - ADDED FEET BMS 1/31/94
DRIVEN SHEAVE	A - REMOVED @ REM 12/11/92
CENTER DISTANCE	REVISIONS

<b>ROOTS DRESSER</b>		DRESSER INDUSTRIES, INC ROOTS DIVISION 900 WEST MOUNT STREET CONNERSVILLE, INDIANA 47331	
JHB DR9-25-92	CHKD	APP	873-959-021