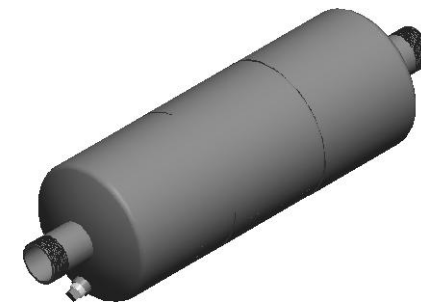
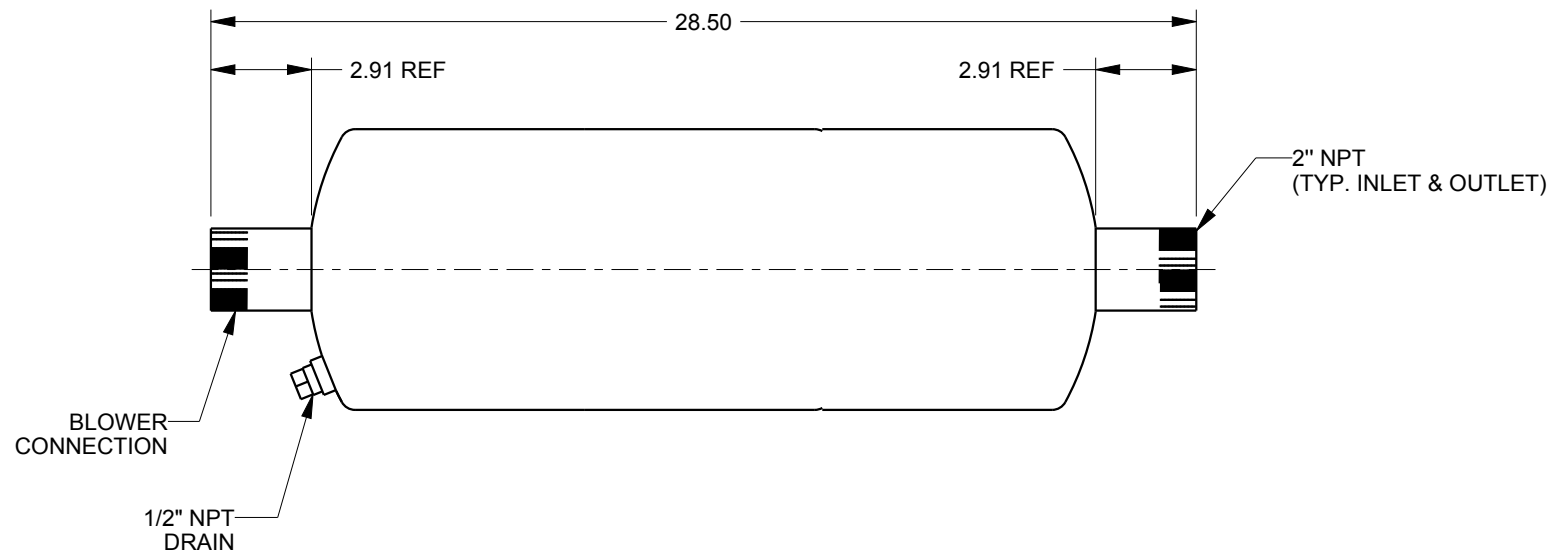
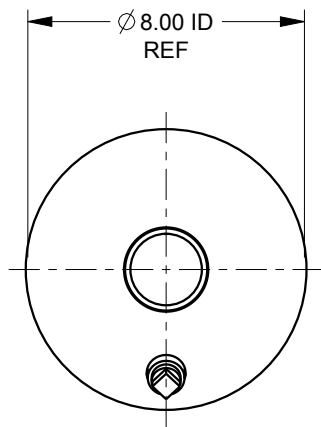

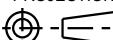


Item #	MM #	DIR #	Description
1		10000083758	STANDARD RIS/SD-2 SILENCER

REVISION RECORD			
NO.	CHANGE DESCRIPTION	ECO	APP'D



DIMENSIONS CERTIFIED FOR:		TOLERANCES UNLESS STATED - SEE FULL SPEC. 88-0075				Copyright © 2010 UNIVERSAL All Rights Reserved		 UNIVERSAL Acoustic & Emission Technologies		MM NO. 100000146			
		(mm)	US customary (")	(mm)	US customary (")	This Document and the information contained herein constitutes proprietary property, and shall not be copied or used or disclosed without the express written consent of Universal Acoustic & Emission Technologies Inc.		DESCRIPTION		DIR. VERSION: 00			
P.O. NO:		0-300	0-12	±1.6	±1/16	THIRD ANGLE PROJECTION 		DIMENSIONAL DWG. NO: 10000083865		SHEET	REV.		
U.S. S.O. NO:		>300-600	>12-24	±3	±1/8					54-102-AA		1 OF 1	0
BY		>600-900	>24-36	±5	±3/16					CATALOG RIS/SD-2 SILENCER			
DATE		>900-6000	>36-240	±6	±1/4					APPROX. WT. 19 LBS MATERIAL CS FINISH 88-0102 SHOP COAT PRIMER			
		>6000	>240	±12	±1/2					DO NOT SCALE DRAWING DRAWN RVK DATE 10/05/2015 CHECKED MCM DATE 10/05/2015			