



UNIVERSAL SILENCER

A FLEETGUARD/NELSON COMPANY
P.O. Box 411, Stoughton, Wisconsin 53589
608-873-4272 Fax 608-873-4298

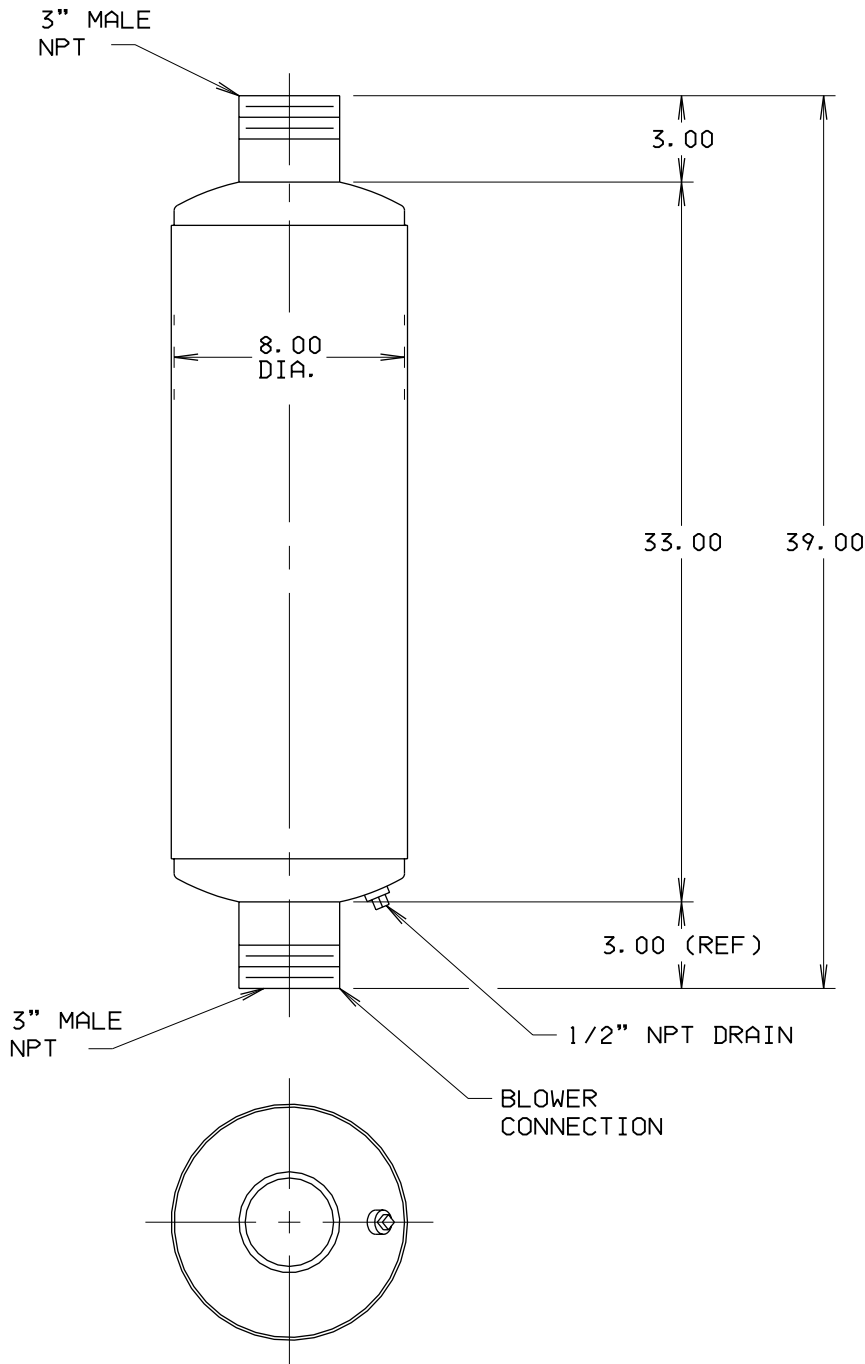
STANDARD SD-3 DISCHARGE SILENCER

DATE 12-26-96

SHEET OF

SCALE NTS

NO.	3
REVISION	REDRAWN
DATE	12-26-96
APP'D	BGL



This document contains CONFIDENTIAL and PROPRIETARY information of Universal Silencer, a Division of Nelson Industries, Inc. Any disclosure or unauthorized use without the express written consent of Universal Silencer is PROHIBITED.

DIMENSIONAL DRAWING NO.

58-103-AA

3

DIMENSIONS CERTIFIED FOR:	
P. O. NO:	
U. S. S. O. NO:	
BY	
APPROX WT	30
MATERIAL	STEEL
FINISH	88-0102 SHOP COAT PRIMER
DRAWN	BGL
CHECK	
DIMENSIONAL DRAWING NO.	
58-103-AA	
REV.	3