



UNIVERSAL SILENCER

A FLEETGUARD/NELSON COMPANY
P.O. Box 411, Stoughton, Wisconsin 53589
608-873-4272 Fax 608-873-4298

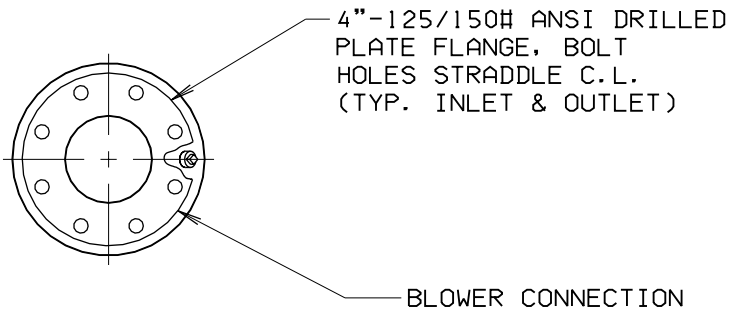
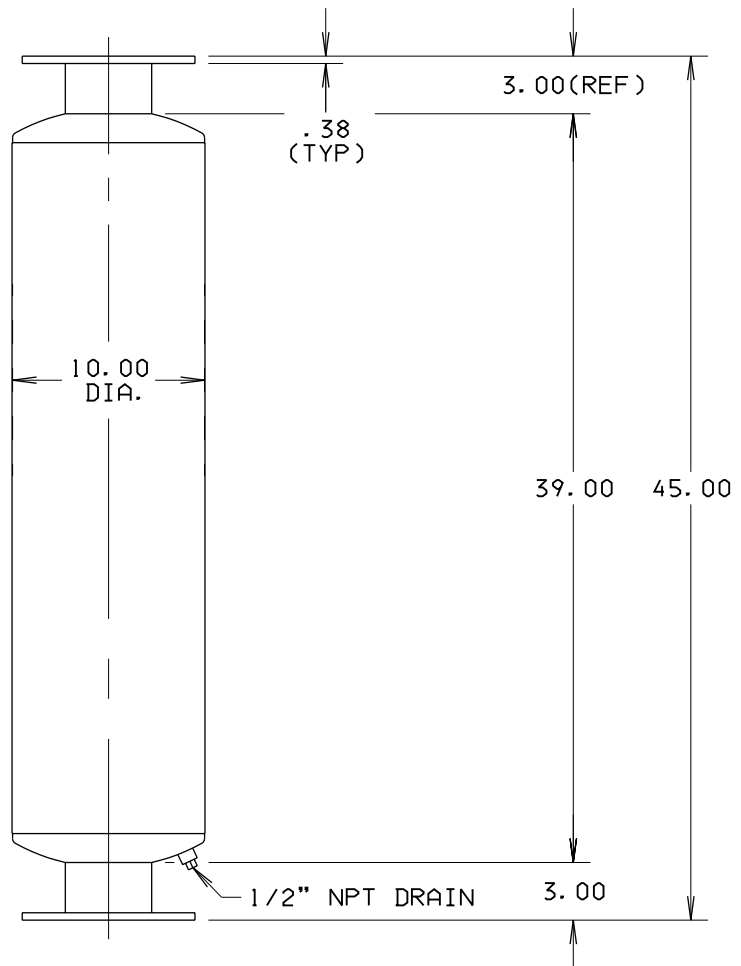
STANDARD SD-4 DISCHARGE SILENCER

DATE 09-22-95

SHEET OF

SCALE NTS

NO.	4
REVISION	REDRAWN
DATE	9-22-95
APP'D	JPM



This document contains CONFIDENTIAL and PROPRIETARY information of Universal Silencer, a Division of Nelson Industries, Inc. Any disclosure or unauthorized use without the express written consent of Universal Silencer is PROHIBITED.

DIMENSIONAL DRAWING NO.

58-104-AA

DIMENSIONS CERTIFIED FOR:	
P. O. NO:	
U. S. S. O. NO:	
BY	
APPROX WT 50	MATERIAL STEEL
FINISH 88-0102 SHOP COAT PRIMER	CHECK
DRAWN JPM	DIMENSIONAL DRAWING NO.
	58-104-AA
REV. 4	REV. 4