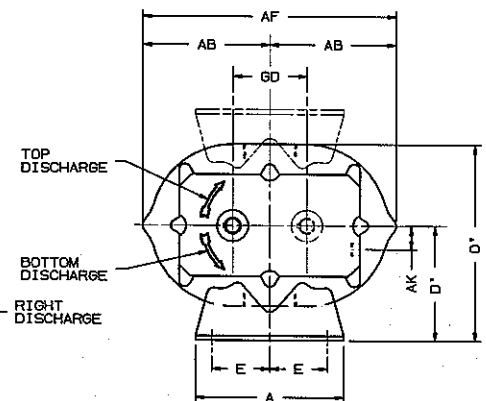
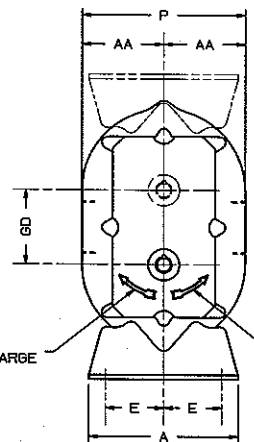
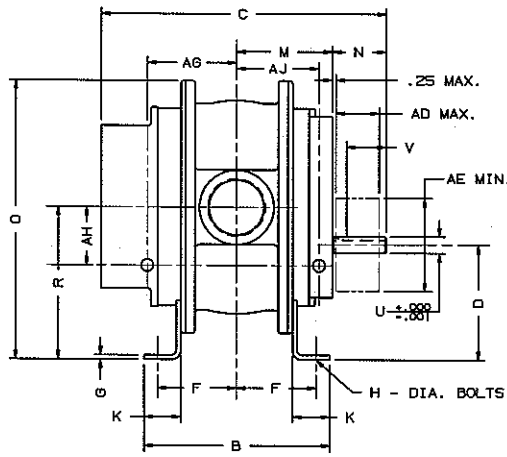


FRAME	APPROX. OIL CAPACITY			
	GEAR END SUMP		DRIVE END SUMP	
	VERTICAL	HORIZONTAL	VERTICAL	HORIZONTAL
3-1/2	8.5 FL. OZ.	16.0 FL. OZ.	4.0 FL. OZ.	6.5 FL. OZ.
4	12.7 FL. OZ.	22.8 FL. OZ.	5.5 FL. OZ.	10.8 FL. OZ.
5	16.0 FL. OZ.	27.6 FL. OZ.	7.5 FL. OZ.	14.8 FL. OZ.

No. RED'D.	PART NAME	PATT. No. PART No.	MAT'L.



W - INLET & DISCHARGE  
AD - SHEAVE WIDTH  
AE - SHEAVE DIAMETER

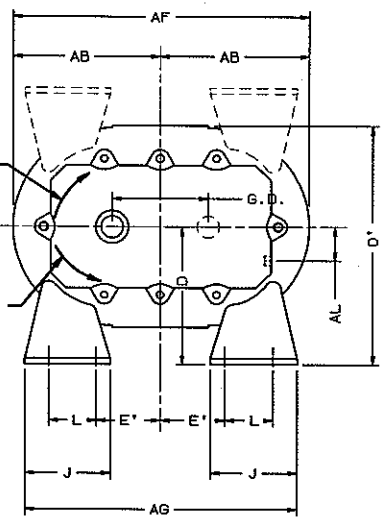
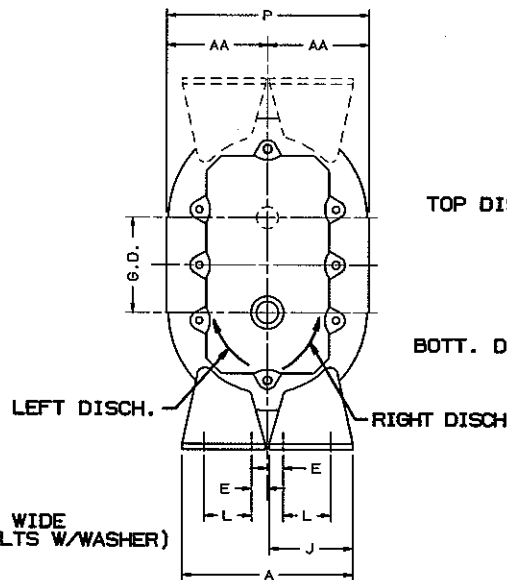
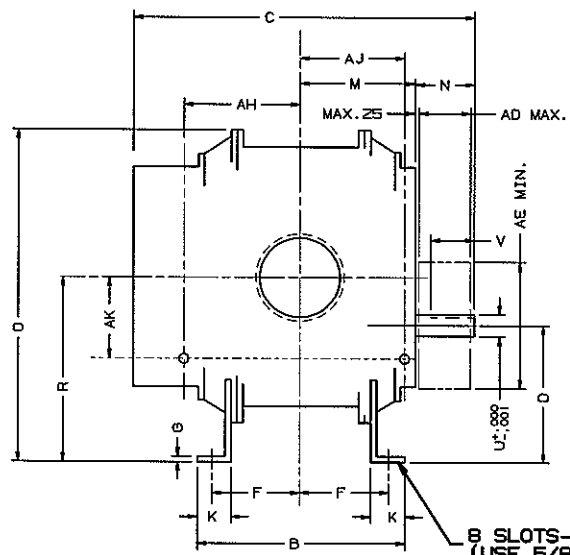
ALL DIMENSIONS IN INCHES

## UNIVERSAL<sup>®</sup> RAI DSL BLOWER

FRAME SIZE	GD	A	B	C	D	D'	E MIN.	E MAX.	F MIN.	F MAX.	G	H	K	M	N	O	O'	P	R	U	KEYWAY	W NPT.	V	AA	AB	AD	AE	AF	AG	AH	AJ	AK	APPROX. WT. LBS
32	3.50	7.25	6.75	11.25	5.00	5.00	2.50	2.98	2.56	2.81	.25	.44	1.75	3.53	2.28	12.81	6.88	7.75	6.75	.750	188x.094	1-1/4"	1.63	3.88	6.06	1.91	5.00	12.13	3.25	2.75	2.88	1.13	72
33	"	"	7.63	12.13	"	"	"	"	3.00	3.25	"	"	"	3.87	"	"	"	"	"	"	2"	"	"	"	"	"	"	"	"	"	"	"	77
36	"	"	10.00	14.63	"	"	"	"	4.18	4.44	"	"	"	5.18	2.40	"	"	"	"	"	2-1/2"	1.75	"	"	"	"	"	"	"	"	"	"	105
42	4.00	8.00	7.25	13.00	6.25	6.25	3.00	3.13	2.50	3.13	.31	.44	2.00	3.78	3.08	15.06	10.63	8.75	8.25	.875	188x.094	1-1/2"	2.31	4.38	6.81	2.31	5.00	13.63	3.57	3.00	3.00	1.21	92
45	"	"	10.00	15.50	"	"	"	"	3.56	4.25	"	"	"	5.18	2.84	"	"	"	"	"	2-1/2"	2.13	"	"	"	"	"	"	"	"	"	"	113
47	"	"	11.75	17.63	"	"	"	"	4.63	5.38	"	"	"	6.03	3.22	"	"	"	"	"	3"	2.50	4.25	"	"	"	"	"	"	"	"	"	132
53	5.00	10.50	8.38	15.38	6.25	6.75	3.50	3.50	3.18	3.68	.25	.50	1.88	4.53	3.68	17.38	11.88	10.28	8.75	1.125	25 x 125	2-1/2"	2.75	5.13	8.63	3.06	6.00	17.25	4.32	4.13	3.84	1.63	148
56	"	"	11.00	17.50	"	"	"	"	4.25	5.00	"	"	"	5.84	3.34	"	"	"	"	"	4"	2.50	5.50	"	"	"	"	"	"	"	"	"	175
59	"	"	14.00	21.00	"	"	"	"	6.00	6.50	"	"	"	7.34	3.84	"	"	"	"	"	4"	3.00	"	"	"	"	"	"	"	"	"	"	208

WFO. REF.	CONFIDENTIAL															DATE	DO NOT SCALE FOR DIMENSIONS ALL DIMENSIONS SHOWN IN BRACKETS ( ) ARE MILLIMETERS										ORDER No.					
THIS DOCUMENT CONTAINS CONFIDENTIAL INFORMATION OF DRESSER ROOTS, DRESSER, INC. IT SHALL BE HELD IN STRICTEST CONFIDENCE, AND BE USED ONLY IN CONJUNCTION WITH DRESSER ROOTS BUSINESS.																DR. RK	06/06/03	ASSY DIM 32-59 URAI DSL VH														
REF: EP858 □ FLATNESS ∠ ANGULARITY ∥ PARALLELISM ⊕ TRUE POSITION ⊥ STRAIGHTNESS ○ CONCENTRICITY ⊥ PERPENDICULARITY ▭ PROFILE OF A SURFACE ∅ DIAMETER √ FINISH IN MICRO INCHES PARTS/XXXX 62735a21																DRD. RK	06/06/03															
																APP. AGP	08/18/03															
																CBV																
A ADDED SIGHT GLASS LOCATING DIMENSIONS																RDG	2/2/04	T240	AGP	AGP	DRESSER ROOTS, DRESSER, Inc. HOUSTON, TX USA										REV A	
REVISIONS																BY	DATE	CHANGE NOTICE	DRD.	APP	DRESSER ROOTS, DRESSER, Inc. HOUSTON, TX USA										T30355021	

No. REV'D.	PART NAME	PATT. No. PART No.	MAT'L.
------------	-----------	--------------------	--------



8 SLOTS-7/8 WIDE  
(USE 5/8 BOLTS W/WASHER)

W-INLET  
W'-DISCHARGE  
AD-SHEAVE WIDTH  
AE-SHEAVE DIA.  
ALL DIM. IN INCHES

6" FLG	
OPENING	6.00
BOLT CIRCLE	9.50
FLANGE O.D.	11.00
NO. TAPPED HOLES	8
SIZE HOLES	3/4-10
TAP DEPTH	1.13

UNIT SIZE	APPROX. OIL CAP. (IN FL. OZ.)				G.D.
	BEAR END	DRIVE END	BEAR END	DRIVE END	
6"	28.3	15.5	52.1	30.5	6.00

FRAME SIZE	A	B	C	D	E	E'	F	G	J	K	L	M	N	O	O'	P	R	U	V	KEYWAY	W	W'	AA	AB	AD	AE	AF	AG	AH	AJ	AK	AL	APPROX WEIGHT
65	11.00	10.00	18.39	8.75	1.00	4.00	3.81	.38	5.38	2.13	3.00	5.66	3.53	21.63	15.13	12.75	11.75	1.375	2.75	.312x.156	3"NPT	3"NPT	6.39	9.69	3.44	8.00	19.75	17.00	6.06	4.97	5.13	2.13	290 LBS
68	13.00	21.38	"	"	"	"	5.81	"	"	"	"	7.16	3.66	"	"	"	"	"	"	"	5"NPT	5"NPT	"	"	"	"	"	"	7.43	6.47	"	"	290 LBS
615	20.00	28.38	"	"	"	"	8.81	"	"	"	"	10.66	"	"	16.25	15.00	"	"	"	"	6"FLG	6"FLG	7.50	"	"	"	"	"	10.93	9.97	"	"	430 LBS

MFG. REF. 62753021											DATE 08/15/03	DO NOT SCALE FOR DIMENSIONS ALL DIMENSIONS SHOWN IN BRACKETS ( ) ARE MILLIMETERS										ORDER No.									
<b>CONFIDENTIAL</b> THIS DOCUMENT CONTAINS CONFIDENTIAL INFORMATION OF DRESSER ROOTS, DRESSER, INC. IT SHALL BE HELD IN STRICTEST CONFIDENCE, AND BE USED ONLY IN CONJUNCTION WITH DRESSER ROOTS BUSINESS.															DR. RK	08/15/03	<b>DIMENSIONAL DRAWING</b> <b>6" U-RAI DSL BLOWER</b>														
															CHD. RK	08/15/03															
															APP. AGP	08/15/03															
															DBV																
															SCALE NTS																
															CAD FILE / DIRECTORY																
															AGP	AGP															
															CHD.	APP.	<b>Dresser ROOTS, Dresser, Inc.</b> Houston, TX USA														
															BY	DATE															
															CHANGE NOTICE		<b>T30381021</b> REV <b>A</b>														
															REVISIONS																