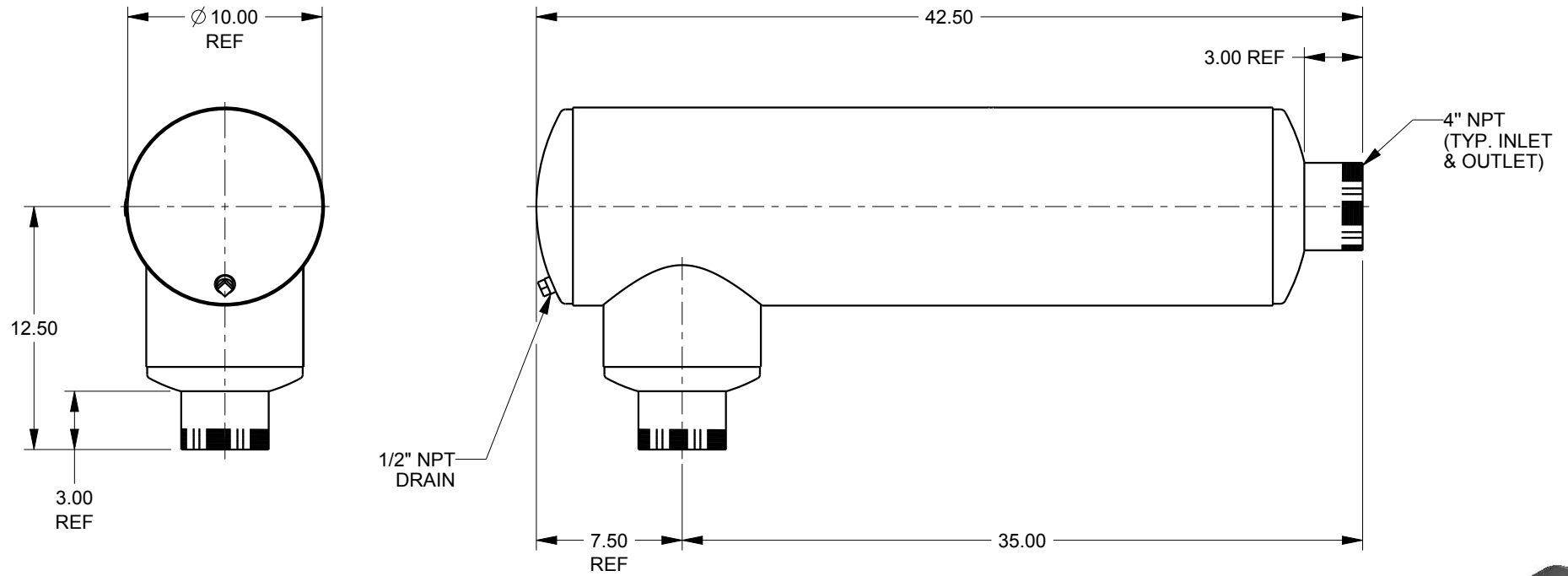




Item #	MM #	DIR #	Description
1	2000008936	10000012227	STANDARD RISY/SDY-4T SILENCER

REVISION RECORD			
NO.	CHANGE DESCRIPTION	ECO	APP'D



DIMENSIONS CERTIFIED FOR:		TOLERANCES UNLESS STATED - SEE FULL SPEC. 88-0075				Copyright © 2010 UNIVERSAL All Rights Reserved		 UNIVERSAL Acoustic & Emission Technologies		MM NO. 1000000067							
		(mm)	US customary (")	(mm)	US customary (")	This Document and the information contained herein constitutes proprietary property, and shall not be copied or used or disclosed without the express written consent of Universal Acoustic & Emission Technologies Inc.		DESCRIPTION 54-204-TT CATALOG RISY_SDY-4T SILENCER		DIR. VERSION: 00							
P.O. NO:		0-300	0-12	± 1.6	$\pm 1/16$					THIRD ANGLE PROJECTION		DIMENSIONAL DWG. NO:		SHEET			
U.S. S.O. NO:		>300-600	>12-24	± 3	$\pm 1/8$							10000022876		1 OF 1			
BY		>600-900	>24-36	± 5	$\pm 3/16$											REV.	
DATE		>900-6000	>36-240	± 6	$\pm 1/4$											0	
		>6000	>240	± 12	$\pm 1/2$	DRAWN		CHECKED		MCM							
		DO NOT SCALE DRAWING				NAME		DATE		07/10/2014							
		APPROX. WT.	53 LBS	MATERIAL	CS	DRAWN		BSB		07/10/2014							
		FINISH	88-0102 SHOP COAT PRIMER			CHECKED		MCM		07/10/2014							