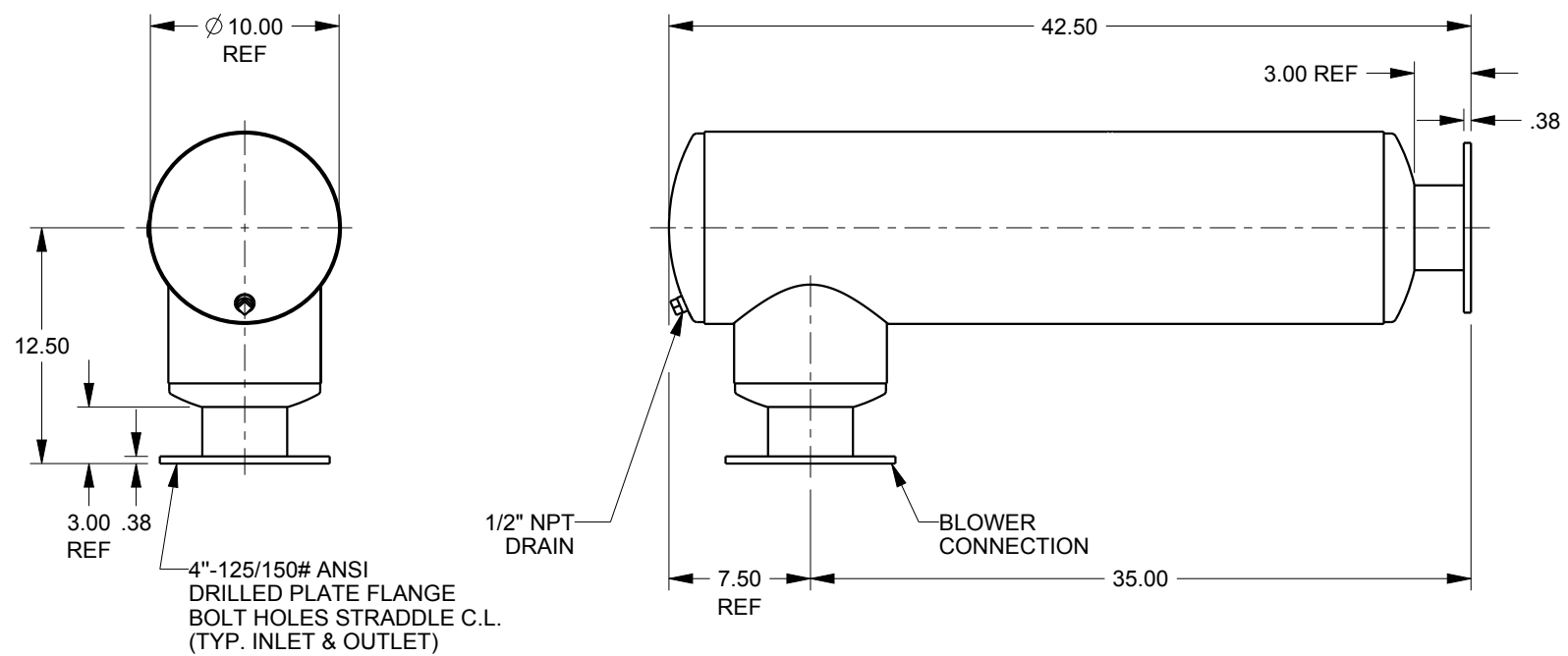

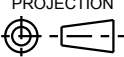


| Item # | MM # | DIR # | Description |
|--------|------------|-------------|------------------------------|
| 1 | 2000008565 | 10000009790 | STANDARD RISY/SDY-4 SILENCER |

| REVISION RECORD | | | |
|-----------------|--------------------|-----|-------|
| NO. | CHANGE DESCRIPTION | ECO | APP'D |
| | | | |



| | | | | | | | | | | | | | | | | | |
|---------------------------|--|---|--------------------------|-----------|------------------|--|--|--|--|---|--|----------------------|--|--------|--|------|--|
| DIMENSIONS CERTIFIED FOR: | | TOLERANCES UNLESS STATED - SEE FULL SPEC. 88-0075 | | | | Copyright © 2010 UNIVERSAL All Rights Reserved | |  UNIVERSAL Acoustic & Emission Technologies | | MM NO. 1000000066 | | | | | | | |
| | | (mm) | US customary (") | (mm) | US customary (") | This Document and the information contained herein constitutes proprietary property, and shall not be copied or used or disclosed without the express written consent of Universal Acoustic & Emission Technologies Inc. | | DESCRIPTION 54-204-AA CATALOG RISY/SDY-4 SILENCER | | DIR. VERSION: 01 | | | | | | | |
| P.O. NO: | | 0-300 | 0-12 | ± 1.6 | $\pm 1/16$ | | | | | THIRD ANGLE PROJECTION | | DIMENSIONAL DWG. NO: | | SHEET | | | |
| U.S. S.O. NO: | | >300-600 | >12-24 | ± 3 | $\pm 1/8$ | | | | |  | | 10000021000 | | 1 OF 1 | | | |
| BY | | >600-900 | >24-36 | ± 5 | $\pm 3/16$ | | | | | | | | | | | REV. | |
| DATE | | >900-6000 | >36-240 | ± 6 | $\pm 1/4$ | | | | | | | | | | | 0 | |
| | | >6000 | >240 | ± 12 | $\pm 1/2$ | DRAWN MCM 09/15/2014 | | CHECKED CB 10/16/2014 | | CREO | | | | | | | |
| | | DO NOT SCALE DRAWING | | | | NAME | | DATE | | | | | | | | | |
| | | APPROX. WT. | 59 LBS | MATERIAL | CS | | | | | | | | | | | | |
| | | FINISH | 88-0102 SHOP COAT PRIMER | | | | | | | | | | | | | | |