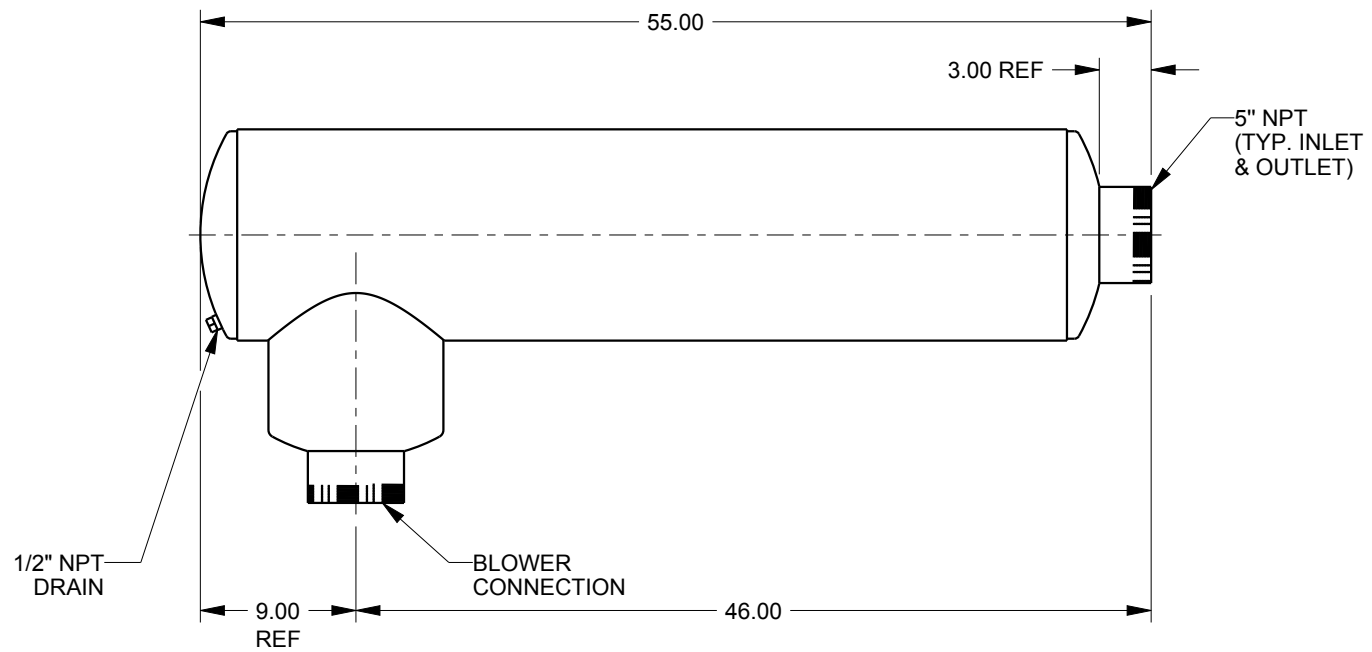
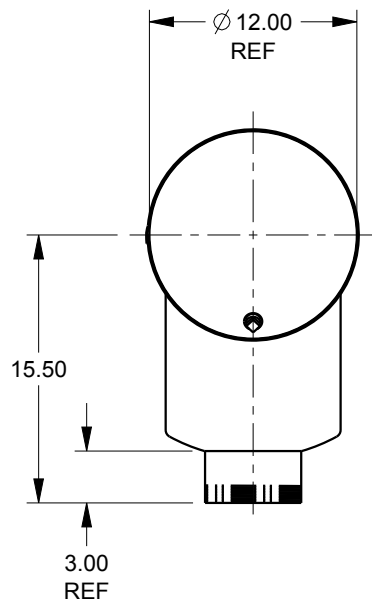

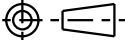


Item #	MM #	DIR #	Description
1	2000012109	10000048989	STANDARD RISY/SDY-5T SILENCER

REVISION RECORD			
NO.	CHANGE DESCRIPTION	ECO	APP'D



DIMENSIONS CERTIFIED FOR:		TOLERANCES UNLESS STATED - SEE FULL SPEC. 88-0075				Copyright © 2010 UNIVERSAL All Rights Reserved		 UNIVERSAL Acoustic & Emission Technologies		MM NO. 1000000069		
		(mm)	US customary (")	(mm)	US customary (")	This Document and the information contained herein constitutes proprietary property, and shall not be copied or used or disclosed without the express written consent of Universal Acoustic & Emission Technologies Inc.		DESCRIPTION 54-205-TT CATALOG RISY/SDY-5T SILENCER		DIR. VERSION: 01		
P.O. NO:		0-300	0-12	±1.6	±1/16							
U.S. S.O. NO:		>300-600	>12-24	±3	±1/8							
BY		>600-900	>24-36	±5	±3/16							
DATE		>900-6000	>36-240	±6	±1/4							
		>6000	>240	±12	±1/2	DO NOT SCALE DRAWING		THIRD ANGLE PROJECTION	DIMENSIONAL DWG. NO:	SHEET	REV.	
		APPROX. WT. 96 LBS		MATERIAL CS		NAME		DATE		 10000049044	1 OF 1	0
		FINISH 88-0102 SHOP COAT PRIMER				DRAWN KPK 04/20/2015		CHECKED MCM 04/20/2015				