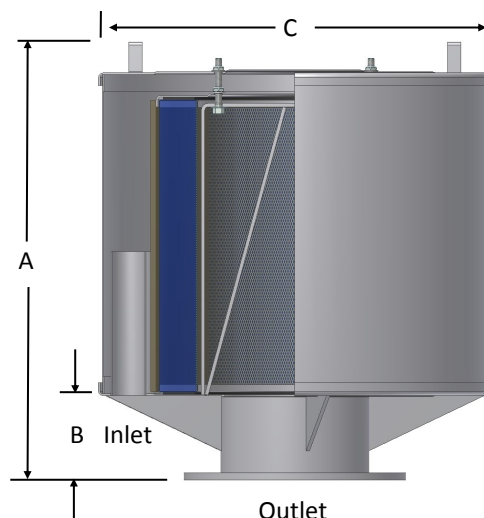


# Big Boy Filter Silencers FS Series 6" to 14" FLG



Filter Silencers

## Features

- Tubular silencing design - tubes are positioned to maximize attenuation and air flow while minimizing pressure drop
- Corrosion resistant carbon steel construction
- Powder coat finish
- Low pressure drop center bracket & outlet pipe design

## Options



- Tap holes available
- Pressure drop indicator (See page 3-12)
- Various media for different environments
- Stainless steel construction

## Technical Specifications

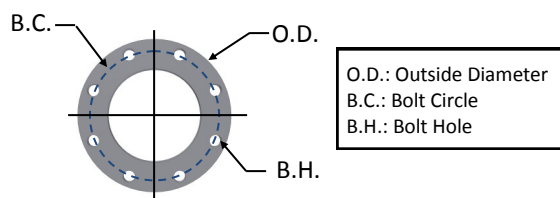
- Temp (continuous): min -15°F (-26°C) max 220°F (104°C)
- Filter change out differential: 15-20" H<sub>2</sub>O over initial Δ P
- Pressure drop graphs available upon request
- Polyester: 99%+ removal efficiency standard to 5 micron
- Paper: 99%+ removal efficiency standard to 2 micron

- Various nonstandard finishes and connection styles
- Side Access Silencer Filters (LQB Series) for space restricted enclosures (select models)

Flange Outlet	Assembly SCFM Rating	Assembly Part Number		Dimensions - inches			No. of Silencing Tubes	Approx. Wt. lbs	Replacement Element Part No.		Element SCFM Rating
		Polyester	Paper	A	B	C			Polyester	Paper	
6"	1100	FS-377P-600F	FS-376P-600F	22 11/16	5 1/4	21 7/8	6	95	377P	376P	1825
8"	1800	FS-377P-800F	FS-376P-800F	23 1/2	6	21 7/8	12	105	377P	376P	1825
8"	1800	FS-385P-800F	FS-384P-800F	24	6	28 5/16	12	125	385P	384P	3295
10"	3300	FS-385P-1000F	FS-384P-1000F	23 1/2	6	28 5/16	16	130	385P	384P	3295
10"	3300	FS-485P-1000F	FS-484P-1000F	31 1/2	6	28 5/16	16	143	485P	484P	4705
12"	4700	FS-485P-1200F	FS-484P-1200F	31 1/2	6	28 5/16	24	155	485P	484P	4705
12"	4700	FS-685P-1200F	FS-384P(2)-1200F	38 1/2	6	28 5/16	24	175	685P	384P (2)	6600
14"	6000	FS-485P(2)-1400F	FS-484P(2)-1400F	53 5/16	6	28 5/16	18	245	485P (2)	484P (2)	9410

See Filter Silencer Technical Data section for sizing guidelines.

125/150# Pattern Flg	Dimensions - inches			No. of Holes	Flange Thickness
	O.D.	B.C.	B.H.		
6"	11	9 1/2	0.88	8	0.5
8"	13 1/2	11 3/4	0.88	8	0.5
10"	16	14 1/4	1	12	0.5
12"	19	17	1	12	0.5
14"	21	18 3/4	1 1/8	12	0.5



Note: Model offerings and design parameters may change without notice. See [www.solbergmfg.com](http://www.solbergmfg.com) for most current offering.