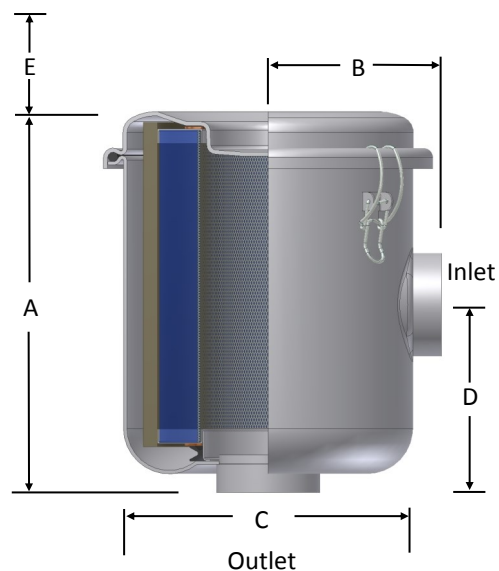


"L" Style Compact Vacuum Filters

CSL Series 3/8" - 3"



Features

- Seamless drawn housings
- O-ring seal
- Corrosion resistant carbon steel construction
- Powder coat finish
- Stainless steel torsion clips for durability

Technical Specifications

- Vacuum Rating: Medium vacuum service**
- Temp (continuous): min -15°F (-26°C) max 220°F (104°C)
- Filter change out differential: 15-20" H₂O over initial Δ P
- Polyester: 99%+ removal efficiency standard to 5 micron
- Paper: 99%+ removal efficiency standard to 2 micron

** See Vacuum Filter Technical Data for vacuum service data.

Benefits

- Large dirt holding capacity and easy field cleaning, especially when mounted horizontally or inverted
- Low pressure design

Options



- Vacuum gauge
- Higher holding capacity configurations available (select models)
- Material/Finishes: stainless steel, epoxy coating
- Support brackets
- Alternative top-to-canister fastening system for low pressure or pulsating systems
- Stainless steel (select models)

Inlet Vacuum Filters

Inlet/ Outlet Size	Assembly Type	SCFM Rating	Housing Config.	Assembly Part Number		Dimensions - inches				Suggested Service HT.	Approx. Wt. lbs	Replacement Element Part No.		Element SCFM Rating
				Polyester	Paper	A	B	C	D			Polyester	Paper	
3/8"	BSPP	18	A	CSL-825-039HCB	CSL-824-039HCB	3 3/8	2 1/8	3 3/4	1 13/16	3	0.88	825	824	25
1/2"	NPSC	18	A	CSL-825-050HCB	CSL-824-050HCB	3 1/2	2 1/4	3 3/4	2	3	0.88	825	824	25
1/2"	NPSC	20	B	CSL-843-050HC	CSL-842-050HC	4	3	5 3/4	2 1/2	3	3	843	842	55
3/4"	NPSC	24	A	CSL-825-075HCB	CSL-824-075HCB	3 1/2	2 5/16	3 3/4	2	3	0.88	825	824	25
3/4"	NPSC	25	B	CSL-843-075HC	CSL-842-075HC	4	3	5 3/4	2 1/2	3	3	843	842	55
1"	NPSC	35	B	CSL-843-100HC	CSL-842-100HC	4 1/4	3 1/4	5 3/4	2 5/8	3	3	843	842	55
1"	NPSC	40	C	CSL-849-100HC	CSL-848-100HC	6 11/16	4 1/8	7 3/8	4 1/2	5	5	849	848	115
1 1/4"	NPSC	55	B	CSL-843-125HC	CSL-842-125HC	4 1/4	3 1/4	5 3/4	2 5/8	3	3	843	842	55
1 1/4"	NPSC	60	C	CSL-849-125HC	CSL-848-125HC	6 11/16	4 1/8	7 3/8	4 1/2	5	5	849	848	115
1 1/2"	NPSC	80	C	CSL-849-150HC	CSL-848-150HC	6 3/4	4 1/8	7 3/8	4 1/2	5	5	849	848	115
2"	NPSC	175	D	CSL-851-200HC	CSL-850-200HC	10 1/4	4 1/2	8 3/4	5	9	15	851	850	290
2 1/2"	FPT	210	D	CSL-851-250HC	CSL-850-250HC	10 11/16	5 1/8	8 3/4	5 1/2	9	15	851	850	290
3"	FPT	300	E	CSL-239-300C	CSL-238-300C	15 3/4	8 13/16	13 1/4	8 11/16	11	33	239	238	570

See Vacuum Filter Technical Data section for sizing guidelines.

Note: Model offerings and design parameters may change without notice. See www.solbergmfg.com for most current offering.