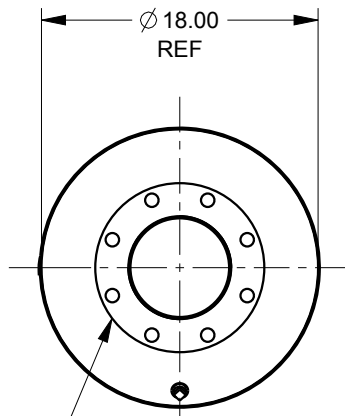
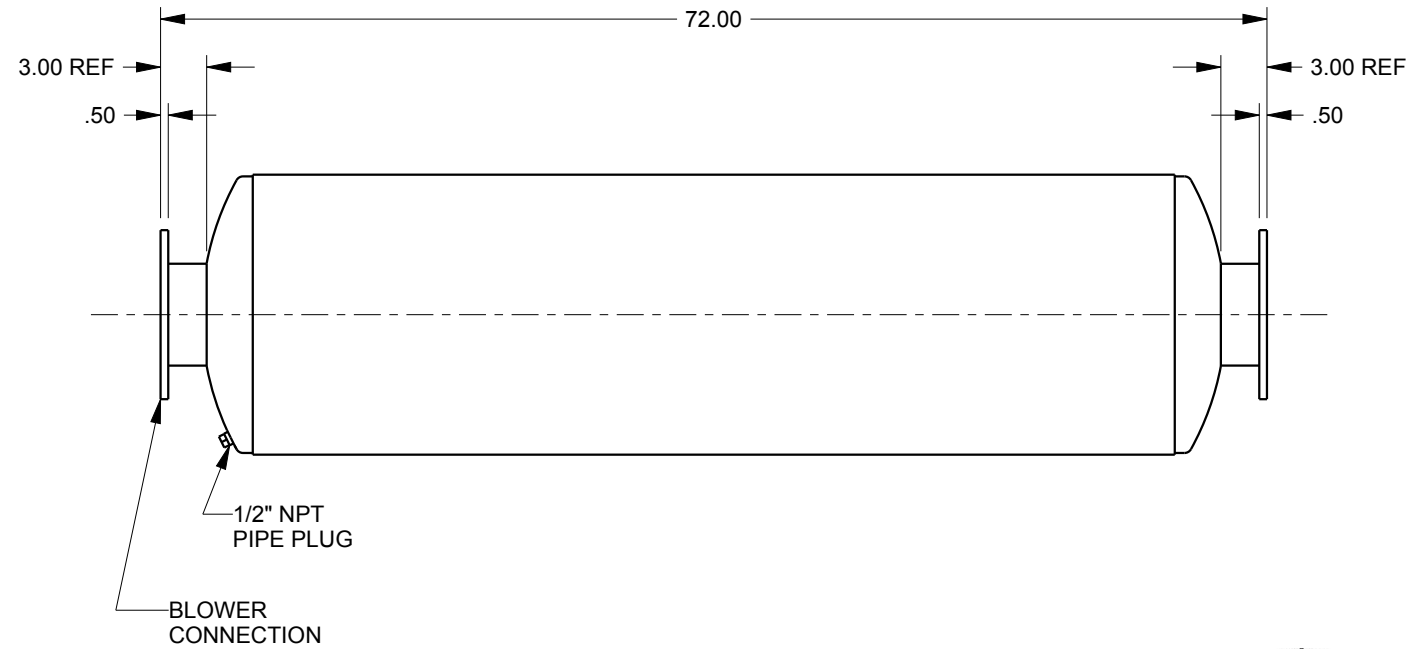

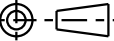


REVISION RECORD			
NO.	CHANGE DESCRIPTION	ECO	APP'D



6"-125/150# ANSI
DRILLED PLATE FLANGE
BOLT HOLES STRADDLE C.L.
(TYP INLET & OUTLET)



DIMENSIONS CERTIFIED FOR:		TOLERANCES UNLESS STATED - SEE FULL SPEC. 88-0075				Copyright © 2010 UNIVERSAL All Rights Reserved		 UNIVERSAL Acoustic & Emission Technologies		MM NO. 100000087	
		(mm)	US customary (")	(mm)	US customary (")	This Document and the information contained herein constitutes proprietary property, and shall not be copied or used or disclosed without the express written consent of Universal Acoustic & Emission Technologies Inc.		DESCRIPTION		DIR. VERSION: 00	
P.O. NO:		0-300	0-12	±1.6	±1/16	DO NOT SCALE DRAWING APPROX. WT. 178 LBS MATERIAL CS FINISH 88-0102 SHOP COAT PRIMER		55-106-AA		SHEET	REV.
U.S. S.O. NO:		>300-600	>12-24	±3	±1/8			CATALOG URD-6 SILENCER			
BY		>600-900	>24-36	±5	±3/16			ASSEMBLY DIR. NO:		1000022305	
DATE		>900-6000	>36-240	±6	±1/4			THIRD ANGLE PROJECTION			
		>6000	>240	±12	±1/2			DRAWN PNB 10/01/2014 CHECKED MCM 10/01/2014		1000022305 1 OF 1	