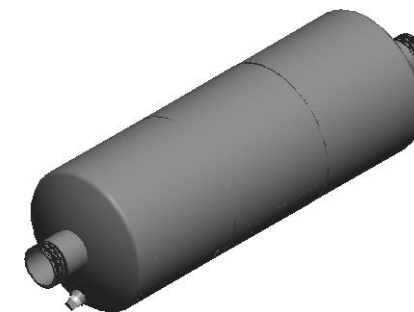
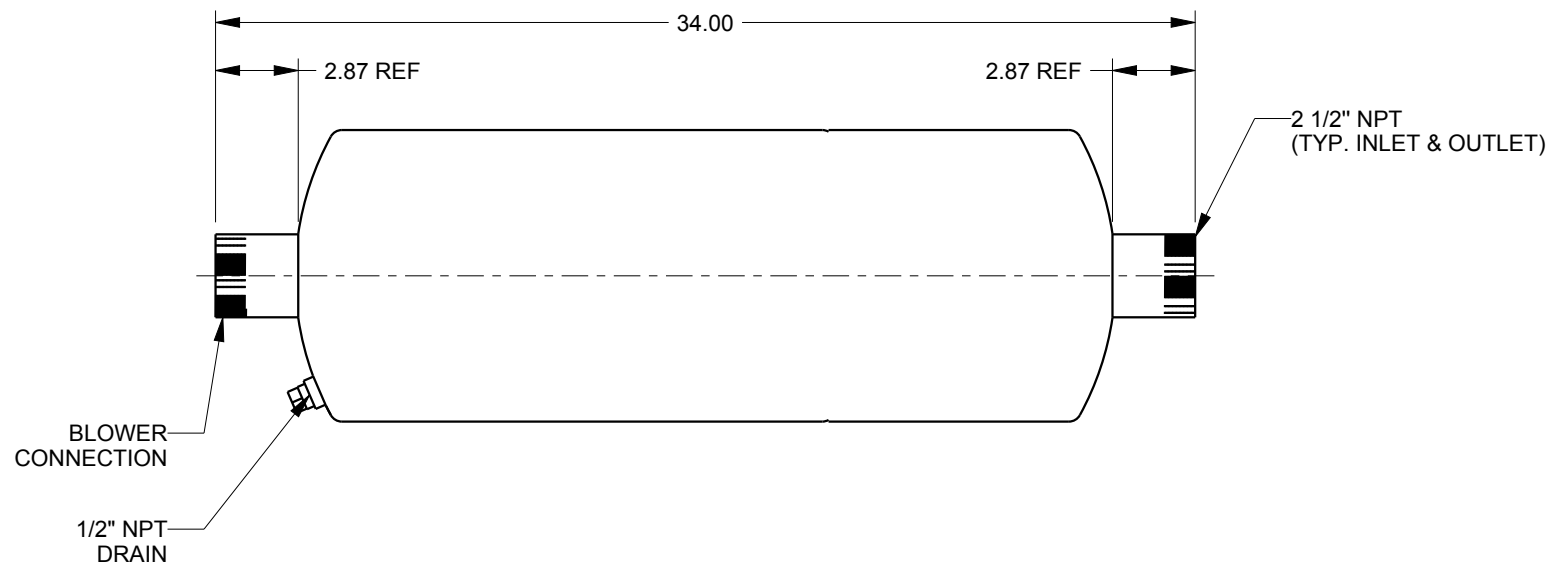
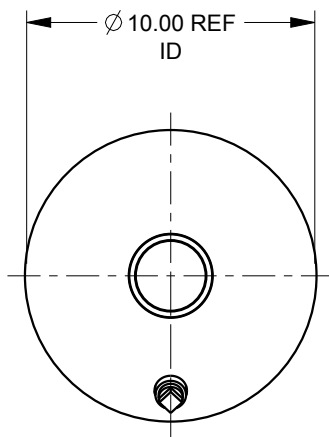

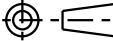


Item #	MM #	DIR #	Description
1	2000011536	10000043454	STANDARD URB-2 1/2 SILENCER

REVISION RECORD			
NO.	CHANGE DESCRIPTION	ECO	APP'D



DIMENSIONS CERTIFIED FOR:		TOLERANCES UNLESS STATED - SEE FULL SPEC. 88-0075				Copyright © 2010 UNIVERSAL All Rights Reserved		 UNIVERSAL Acoustic & Emission Technologies		MM NO. 1000000090							
		(mm)	US customary (")	(mm)	US customary (")	This Document and the information contained herein constitutes proprietary property, and shall not be copied or used or disclosed without the express written consent of Universal Acoustic & Emission Technologies Inc.		DESCRIPTION 55-125-AA CATALOG URB-2 1/2 SILENCER		DIR. VERSION: 00							
P.O. NO:		0-300	0-12	±1.6	±1/16					THIRD ANGLE PROJECTION		DIMENSIONAL DWG. NO:		SHEET			
U.S. S.O. NO:		>300-600	>12-24	±3	±1/8							10000043853		1 OF 1			
BY		>600-900	>24-36	±5	±3/16											REV.	
DATE		>900-6000	>36-240	±6	±1/4											0	
		>6000	>240	±12	±1/2	DRAWN SSP 03/06/2015		CHECKED MCM 03/06/2015		CREO							
		DO NOT SCALE DRAWING				NAME		DATE									
		APPROX. WT.	28 LBS	MATERIAL	CS												
		FINISH	88-0102 SHOP COAT PRIMER														