

Stoddard Silencers, Inc.
 1017 Progress Dr.
 Grayslake, Illinois 60030
 Phone (847) 223-8636

name

F72-2 INTAKE FILTER with
 Polyurethane Filter Element

A

no. 46303

date

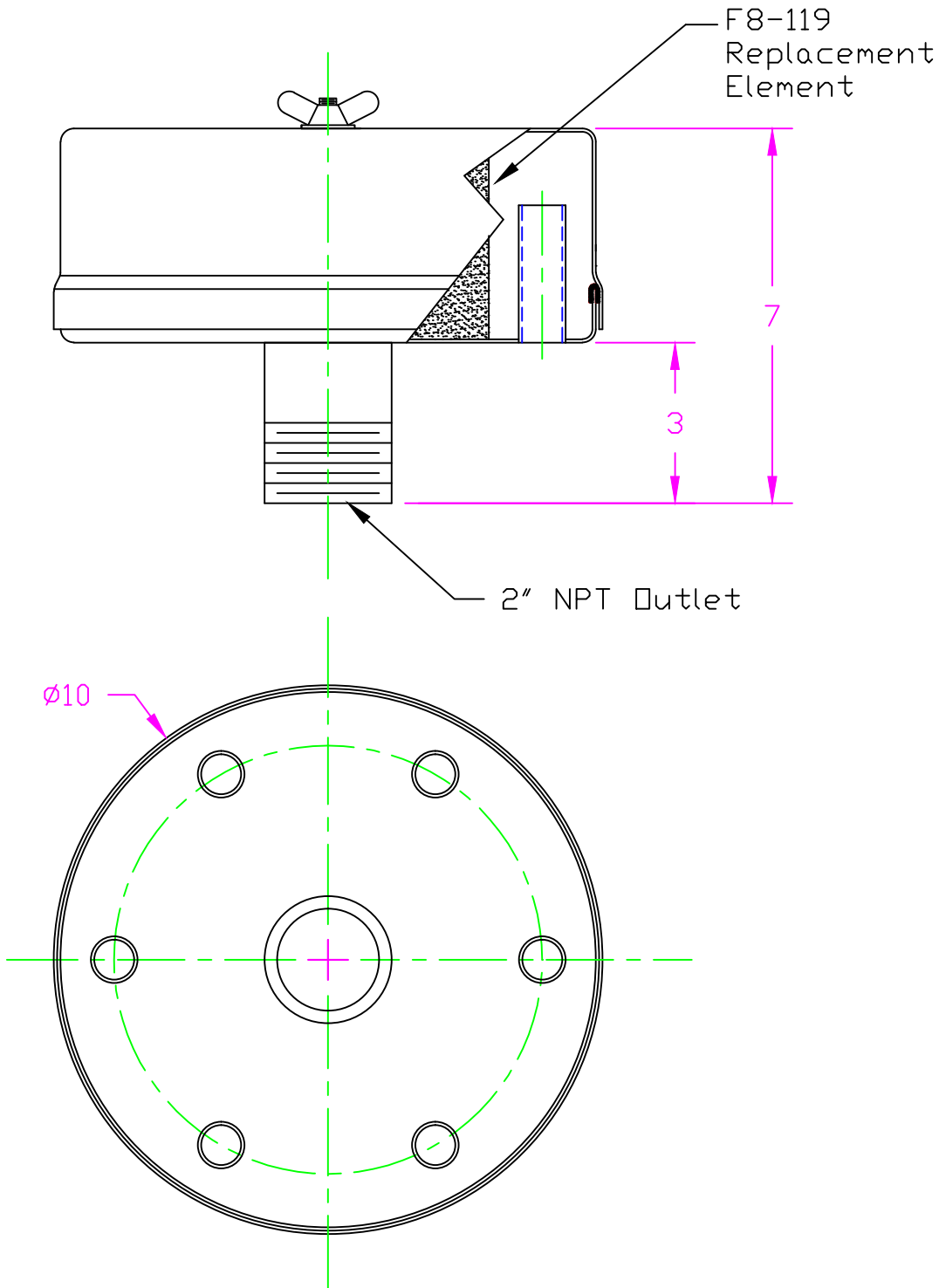
8/18/81

by

REK

appd.

no.					
revision					
date					
by					
no.	2	Changed Finish	12/6/11	DSP	
no.	1	Redrawn on Cad	4/10/06	JG	



EXTERNAL DIMENSIONS CERTIFIED FOR:		
CUST. P.O. No.	S.S. NO. BY	approx. wt. 8 lbs.
		material Carbon Steel
		finish Blue Powder Coat

R2 rev.

no. 46303

A