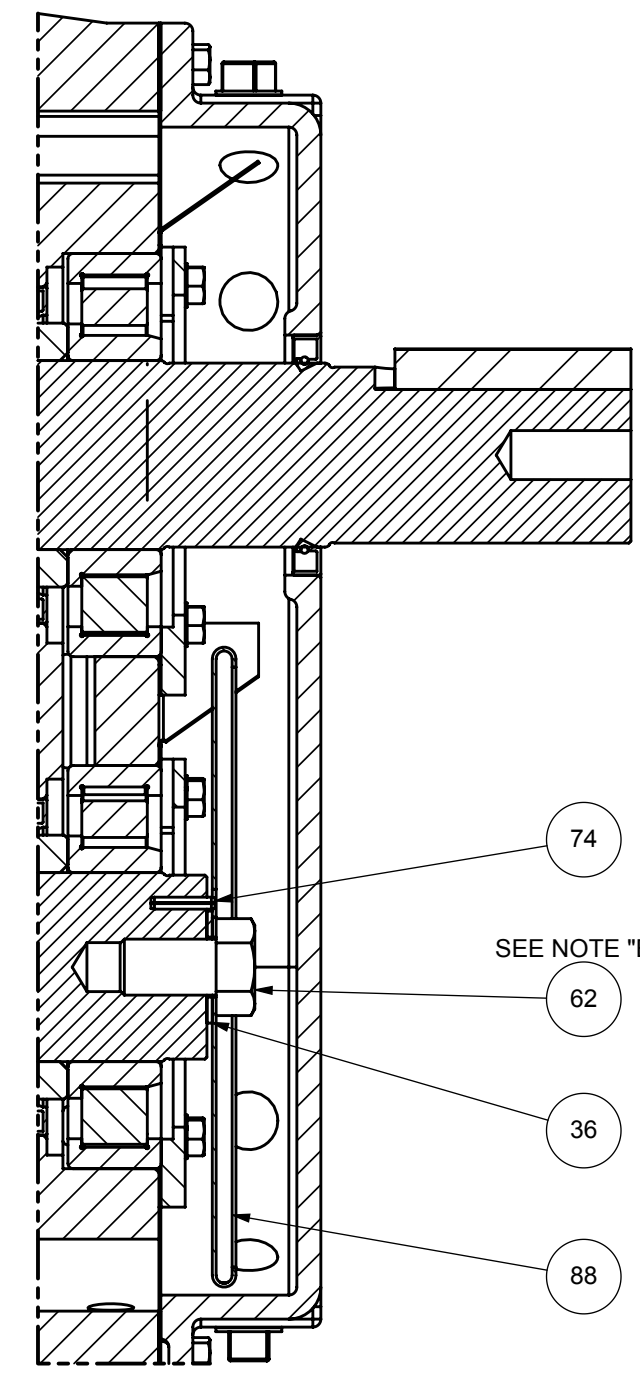
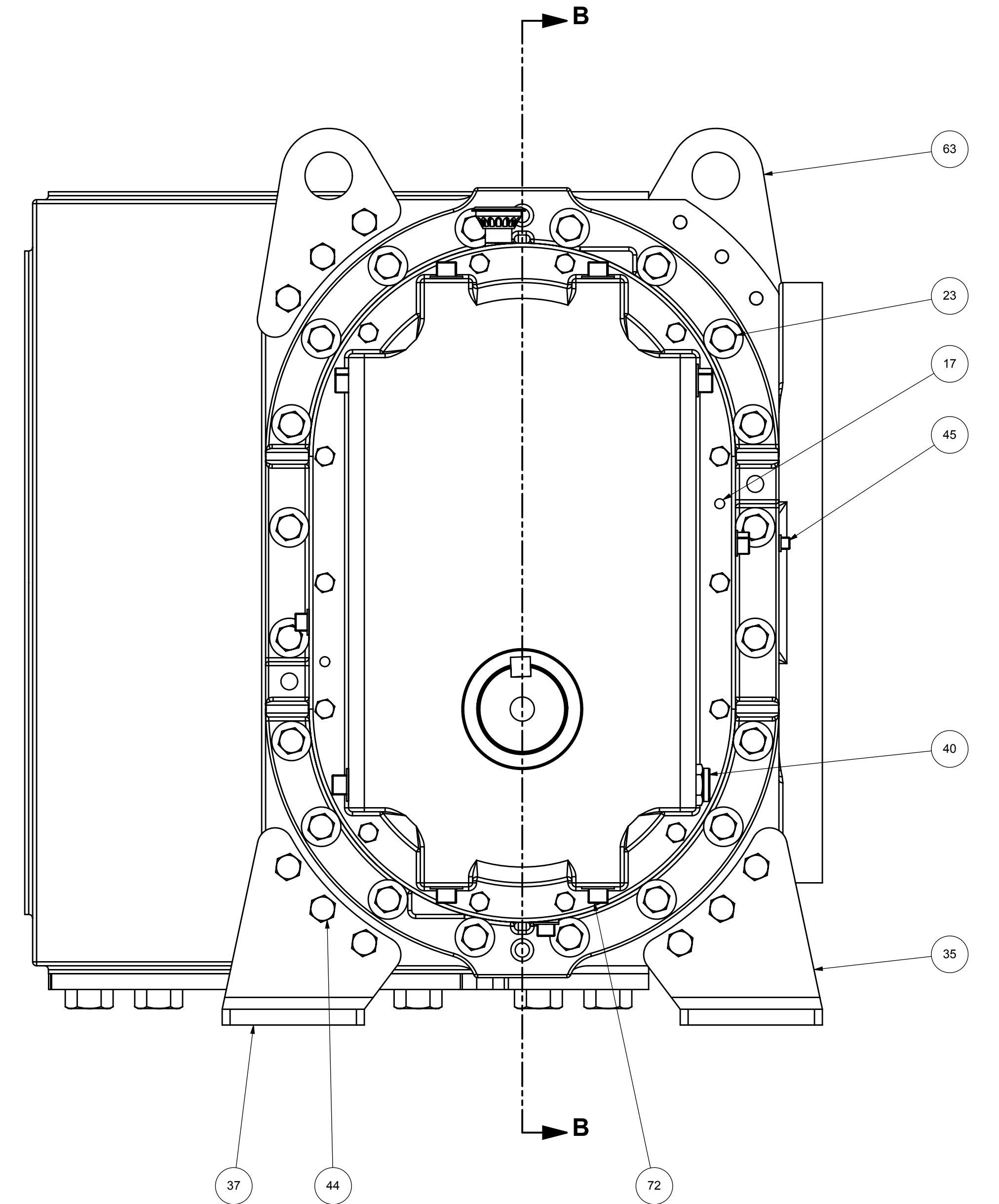
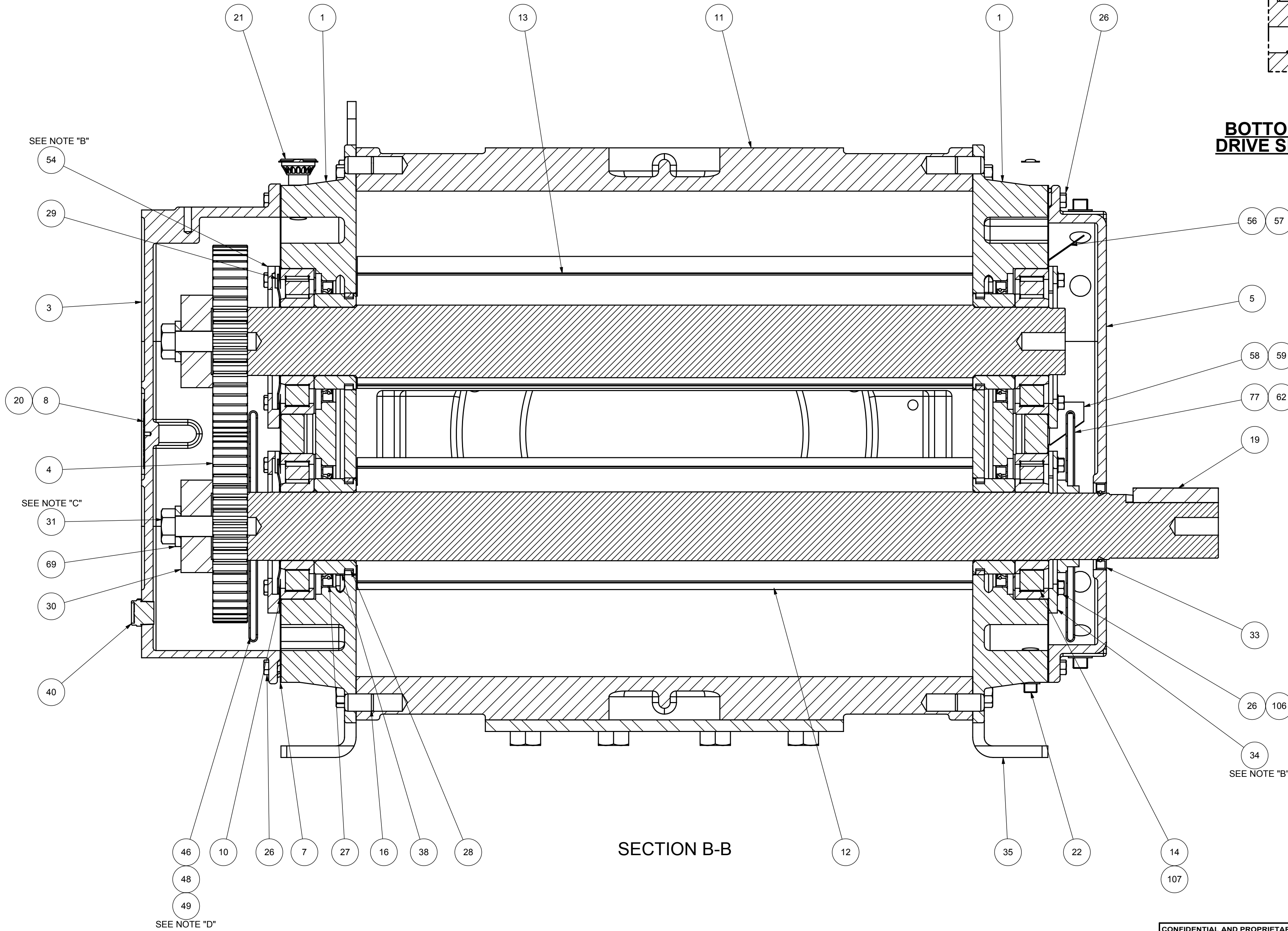


NOTES:

- A. USE LOCTITE 567 ON ALL PIPE THREADS.
- B. ITEMS 34 & 54 MUST BE INSTALLED WITH OIL GROOVE AT TOP.
- C. APPLY OIL TO BOLT THREADS & UNDER BOLT HEAD & TORQUE TO 650 FT. LBS. (880 N-m) IF MOLYKOTE GN PASTE IS USED IN PLACE OF OIL ON THREADS, TORQUE TO 500 FT. LBS. (680 N-m)
- D. THREADS MUST BE OIL FREE, CLEAN, APPLY LOCTITE - 272 AND TORQUE TO 25 FT. LBS. (35 N-m)
- E. THREADS MUST BE OIL FREE, CLEAN, APPLY LOCTITE - 272 AND TORQUE TO 450 FT. LBS. (610 N-m)
- F. SEE OPERATING MANUAL ISRB-2003 FOR LUBRICATION INSTRUCTIONS.



BOTTOM SLINGER FOR TOP DRIVE SHAFT ARRANGEMENT



CONFIDENTIAL AND PROPRIETARY: THIS DRAWING IS CONFIDENTIAL AND IS THE PROPERTY OF HOWDEN ROOTS, LLC. THE DRAWING OR ANY PART THEREOF MUST NOT BE COPIED OR OTHERWISE REPRODUCED OR DIVULGED TO ANY OTHER PARTY, OR USED FOR MANUFACTURE OR OTHER PURPOSE WITHOUT THE EXPRESS PERMISSION OF THE COMPANY.

MFG. REF. :	SPEC SECTION:	ENGINEER CO.:	MATL.:	PATT. No. :	GEOMETRIC TOLERANCE PER- EP938	ORDER No.
					DO NOT SCALE FOR DIMENSIONS	
			DR. MPM 4/13/2016	T1	ALL DIMENSIONS SHOWN IN DIMENSIONS UNLESS OTHERWISE SPECIFIED	
			CHKD. MNM 4/13/2016	T1	T1: TWO PLACE DECIMALS (XXX.XX) ± 0.15 T2: THREE PLACE DECIMALS (XXX.XXX) ± 0.05 FRACTIONAL: 1/16	
			APP. MNM 4/13/2016		T2: APPROX BOLT LOCATIONS ± 0.10 LOCATIONS ± 0.20 ALL OTHER DIMENSIONS REFERENCE	
			DBV. MPM 4/13/2016			
			CAD FORMAT SOLIDWORKS			
			CAD FILE / DIRECTORY RC-205275A23 / XASM			
			SCALE NTS	DATE MIDY		

Howden
 Connersville, IN USA
 P: 765-827-9200 F: 765-827-9266

SECTIONAL ASSEMBLY
 827 DVJ OGE DRIVE

RC-205275A23
 SHEET 1 OF 1

REV A

800 Series DVJ (OGE Drive) Parts

Item number	Quantity used	Part description
1	2	Headplate
3	1	Gearbox
4	1	Set of gears
5	1	Cover
7	2	Gasket covers
8	1	Nameplate
9	1	Installation tag
10	1	Shim set
11	1	Cylinder
12&13	1	Impeller
14	4	Bearing
16	4	Dowel pin cylinder
17	2	Spring pin
19	1	Key-coupling
20	1	Self-tappign screw
21	2	Breather
22	6	Pipe plug
23	40	Hex head cap screw
26	44	Hex head cap screw
27	4	Oil seal- Inboard
28	4	Piston ring seal
29	2	Wavy washer spring
30	2	Gear mating washer
31	2	Socket head cap screw
33	1	Oil seal- drive shaft
34	2	Brg clamp plate- OGE
35	2	Foot - R/H
37	2	Foot - L/H
38	4	Sleeve - Inboard
40	2	Sight plug
44	18	Hex head cap screw
45	4	Pipe plug
46	1	Gear End Slinger
48	2	Washer
49	2	Button head screw
54	2	Brg clamp plate
56	1	Oil leader - R/S
57	1	Oil leader - L/S
58	1	Oil leader - R/S
59	1	Oil leader - L/S
62	2	Socket head cap screw
63	2	Lifting lug
69	2	Washer
72	8	Pipe plug
74	1	Spring pin
77	1	Top DE Slinger
88	1	Bottom DE Slinger
90	1	Cover plate
91	12	Hex head cap screw
106	16	Lock washer
107	4	Steel ball