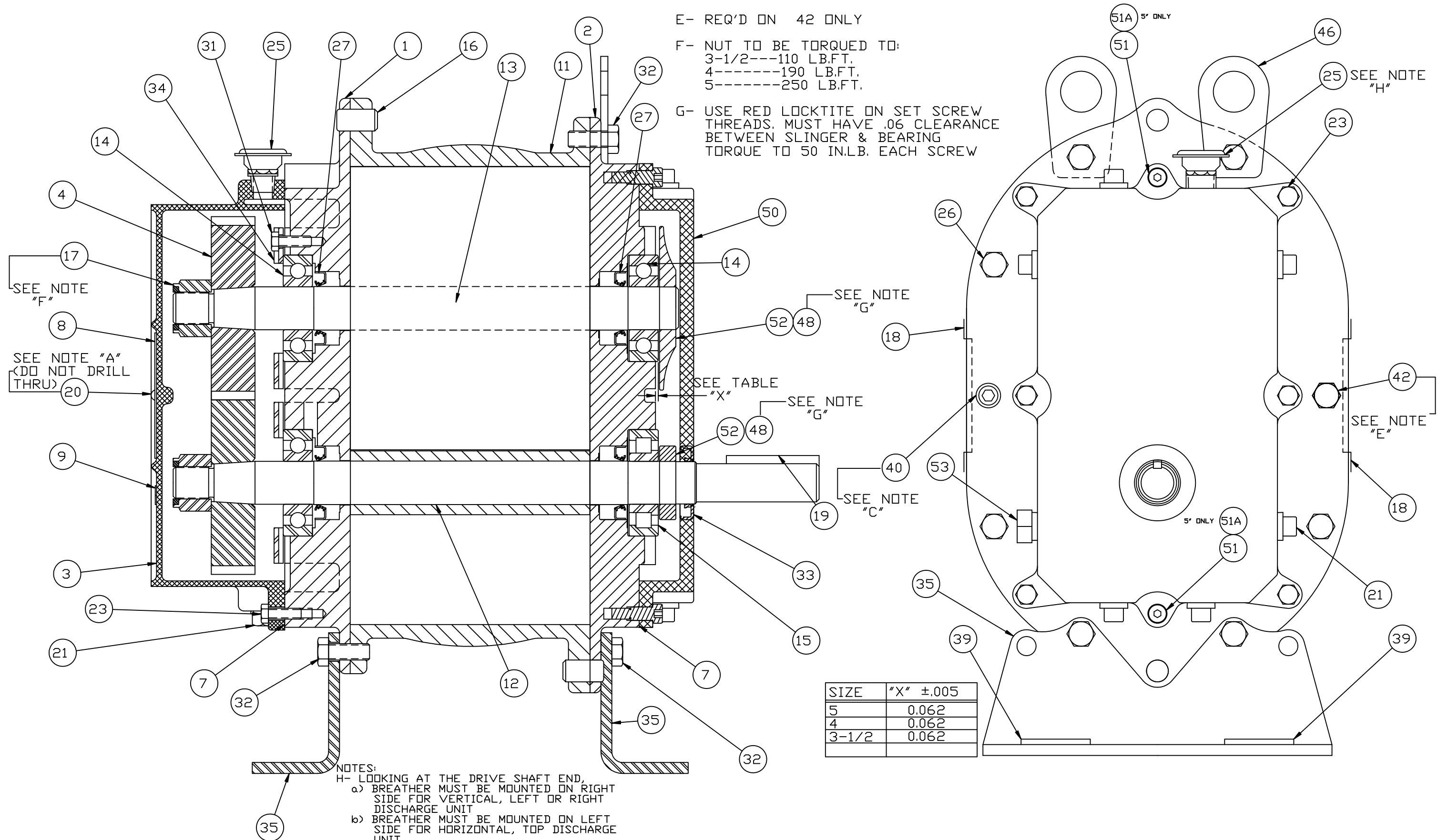


NOTES: A- INSTALL ITEM #20 (SCREW) IN ASSEMBLY
 C- 3-1/2 REQ'D SOC. HD. ON G.E. AND D.E.
 E- REQ'D ON 42 ONLY
 F- NUT TO BE TORQUED TO:
 3-1/2---110 LB.FT.
 4-----190 LB.FT.
 5-----250 LB.FT.
 G- USE RED LOCKTITE ON SET SCREW
 THREADS. MUST HAVE .06 CLEARANCE
 BETWEEN SLINGER & BEARING
 TORQUE TO 50 IN.LB. EACH SCREW



SEE NOTE "F"

SEE NOTE "A"
(DO NOT DRILL THRU)

SEE NOTE "G"

SEE TABLE "X"

SEE NOTE "C"

SEE NOTE "E"

NOTES:
 H- LOOKING AT THE DRIVE SHAFT END,
 a) BREATHER MUST BE MOUNTED ON RIGHT
 SIDE FOR VERTICAL, LEFT OR RIGHT
 DISCHARGE UNIT
 b) BREATHER MUST BE MOUNTED ON LEFT
 SIDE FOR HORIZONTAL, TOP DISCHARGE
 UNIT

SIZE	"X" ±.005
5	0.062
4	0.062
3-1/2	0.062

CONFIDENTIAL AND PROPRIETARY: THIS DRAWING IS CONFIDENTIAL AND IS THE PROPERTY OF HOWDEN ROOTS, LLC. THE DRAWING OR ANY PART THEREOF MUST NOT BE COPIED OR OTHERWISE REPRODUCED OR DERIVED TO ANY OTHER PARTY, OR USED FOR MANUFACTURE OR OTHER PURPOSE WITHOUT THE EXPRESS PERMISSION OF THE COMPANY.

MFG. REF.:	SPEC SECTION:	ENGINEER CO.:	MATL.:	PATT. No.:	GEOMETRIC TOLERANCE PER: EPI938	ORDER No.:
UPDATED TO ACAD, HOWDEN	MPH 2/16/16 16916V	MNH	CERTIFIED	DR. RK 8/4/03	DO NOT SCALE FOR DIMENSIONS	
SET SCREW TORQUE REQUIREMENT	MNH 3/26/14 15904V		PURCHASE ORDER:	CHKD. RK 8/4/03	ALL DIMENSIONS SHOWN UNLESS OTHERWISE SPECIFIED	
ADDED ITEM 51A	RDR 5/2/05 7458V		PROJECT:	APP. AGP 8/7/03	T1: DIMENSIONS ON DIMENSION LINES	
REMOVED ITEMS 47 & 55	RDR 3/4/05 7419V		LOCATION:	DBV.	T2: DIMENSIONS ON DIMENSION LINES	
			EQUIPMENT No.:			
			CERTIFIED BY:			
			DATE (M/D/Y):			
			CAD FORMAT:			
			AUTO CAD:			
			CAD FILE / DIRECTORY:			
			T30356A23 / XASM			
			SCALE:			
			NTS			
			DATE:			
			M/D/Y			

SECTIONAL ASSEMBLY
 3-1/2" THRU 5" U-RAI DSL BLOWERS

THIRD ANGLE PROJECTION

Howden
 Connersville, IN USA
 P: 765-827-9200 F: 765-827-9266

T30356023
 SHEET 1 OF 1

REV D

Universal RAI-DSL Series Blowers Parts List
3-1/2" – 5" Gear Diameter

(Refer to drawing #T30356023)

Item #	Part Name	Qty.
1	Headplate Gear End	1
2	Headplate Drive End	1
3	Gearbox	1
4	Timing Gears	2
7	Gasket, Gear Box, DE Cover	1
11	Cylinder	1
12	Impeller & Shaft Drive	1
13	Impeller & Shaft Driven	1
14	Bearing, Ball	3
15	Bearing, Roller	1
16	Pin, Dowel	4
17	Gear Nut	2
19	Key	1
21	Plug, Pipe	3
23	Screw Hex	6
25	Breather (Plug Vent)	1
26	Screw, Hex	*
27	Seal, Lip Bearing	4
31	Screw, Hex, Nylock	4
32	Screw, Hex	6
33	Seal Lip-Drive	1
34	Clamp Plate	2
35	Foot	2
39	Washer Mounting	4
40	Screw Socket	2
42	Screw Hex	2
48	DE Oil Slinger Set Screw	4
50	Drive End Cover	1
52	Drive End Oil Slinger	2
53	Oil Sight Glass	2

*Quantities vary by blower.