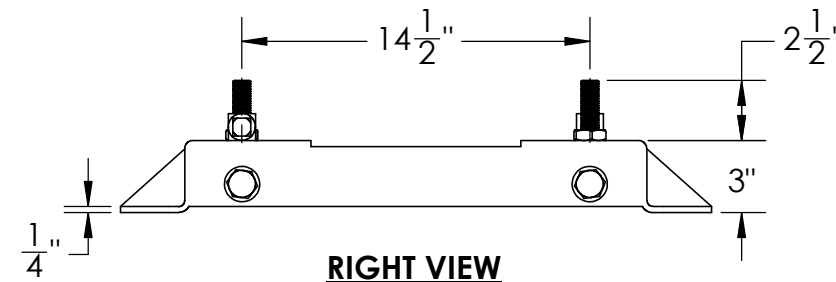
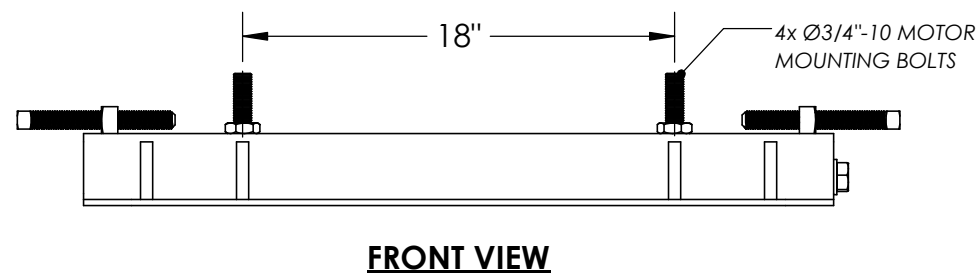
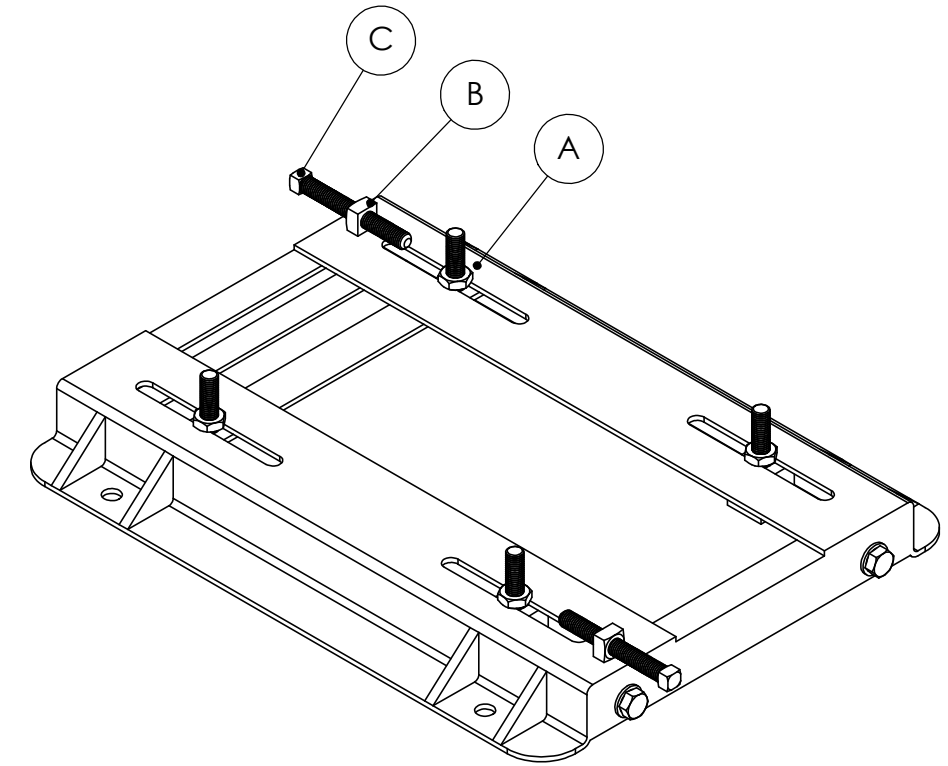
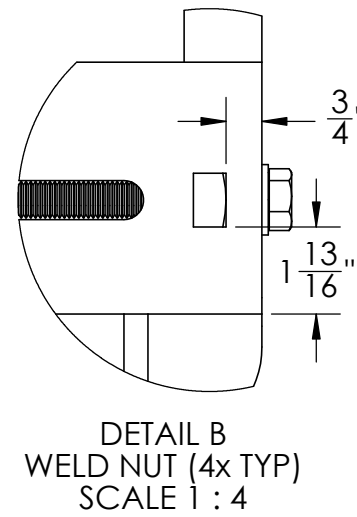
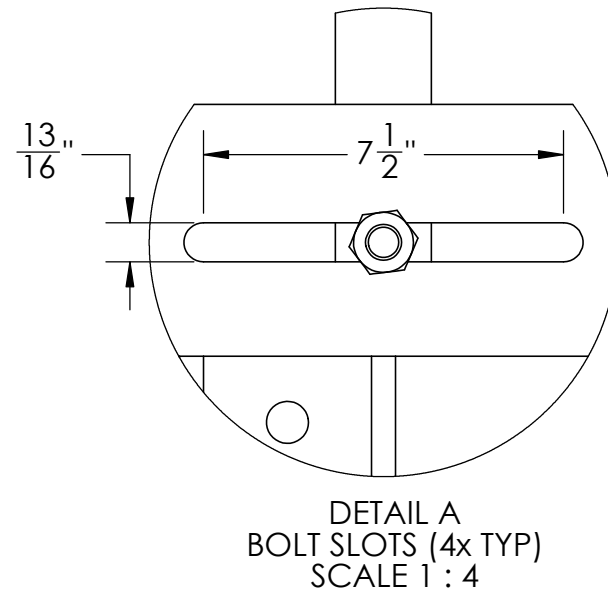
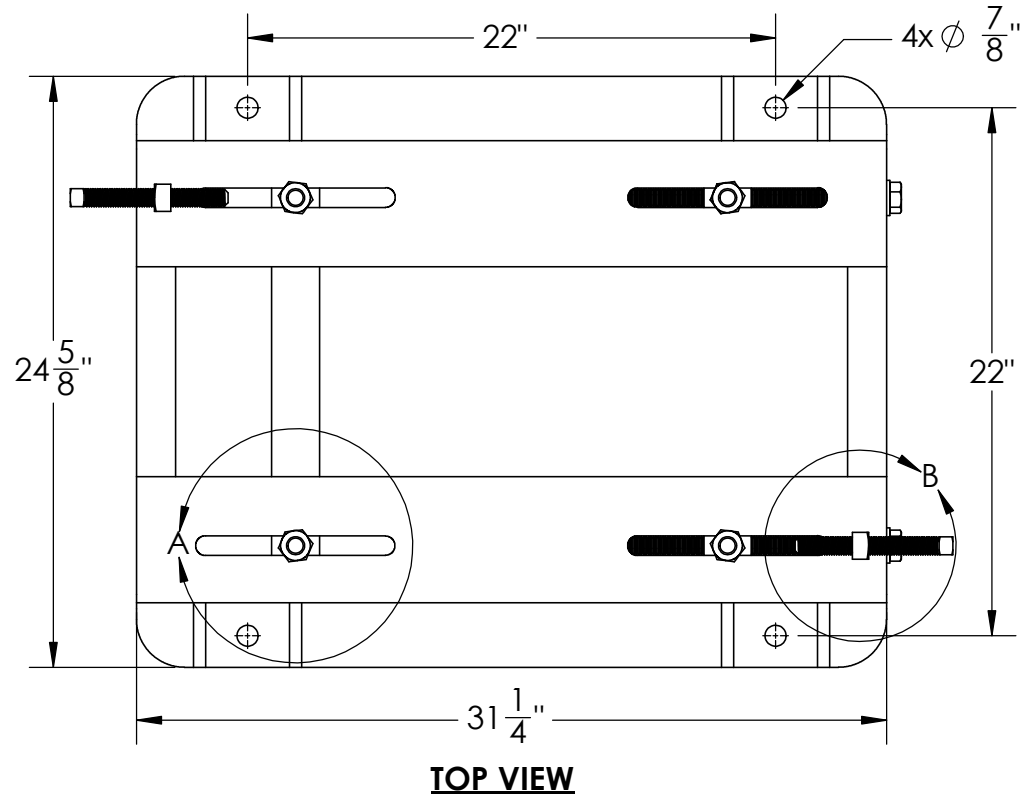



DWG. NO.  
31148.W

ITEM	PART	DESCRIPTION	QTY.
A	31148	SLIDE BASE, MOTOR, 444T FRAME, DBL. ADJ.	1
B	30497	NUT, 3/4"-10, WELD, SQUARE, PLAIN	2
C	30247.A	BOLT, 3/4"-10 x 6", #5, ZINC, SET SCREW, SQUARE HEAD	2



UNLESS OTHERWISE SPECIFIED:		DRAWN	DATE	NAME	 2280 Chicopee Mill Road SW • Gainesville, GA • 30504 800-534-9933
DIMENSIONS ARE IN INCHES		AUTHOR	6/5/2018	JDM	
TOLERANCES:		CHECKED BY			
FRACTIONAL ±		MFG APPR.			
ANGULAR: MACH ± BEND ±		COMMENTS:			TITLE: BASE, MOTOR 444T FRAME PUSHING BOLTS
TWO PLACE DECIMAL ±					SIZE DWG. NO. REV
THREE PLACE DECIMAL ±					<b>B</b> 31148.W
JOB NUMBER	PARENT P/N	INTERPRET GEOMETRIC TOLERANCING PER:			SCALE: 1:8
		MATERIAL: SEE BOM			SHEET 1 OF 1
PROPRIETARY AND CONFIDENTIAL		THICKNESS: SEE BOM			
THE INFORMATION CONTAINED IN THIS DRAWING IS THE SOLE PROPERTY OF PDBLOWERS, INC. ANY REPRODUCTION IN PART OR AS A WHOLE WITHOUT THE WRITTEN PERMISSION OF PDBLOWERS, INC IS PROHIBITED.		FINISH:			
		WEIGHT:			