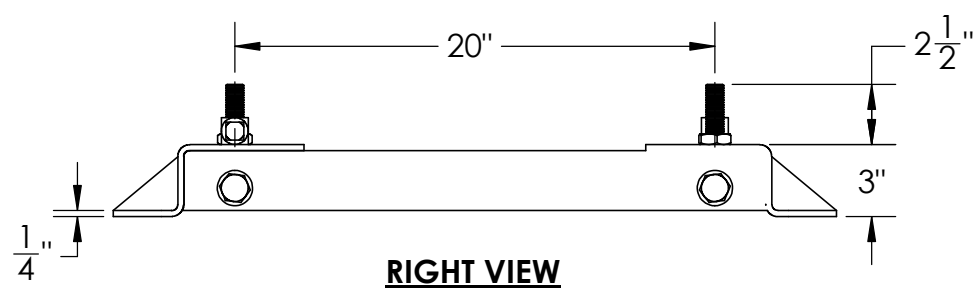
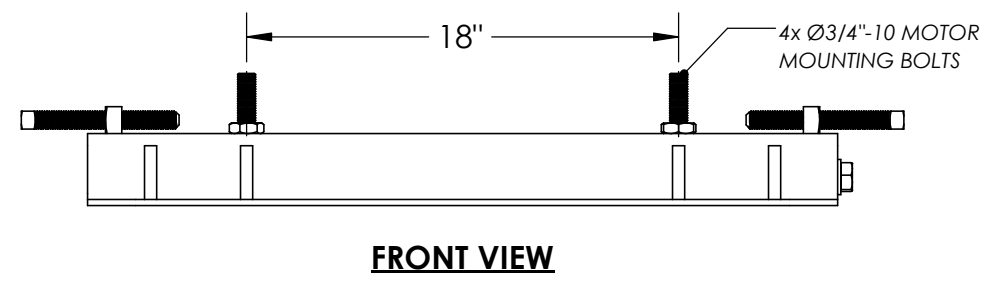
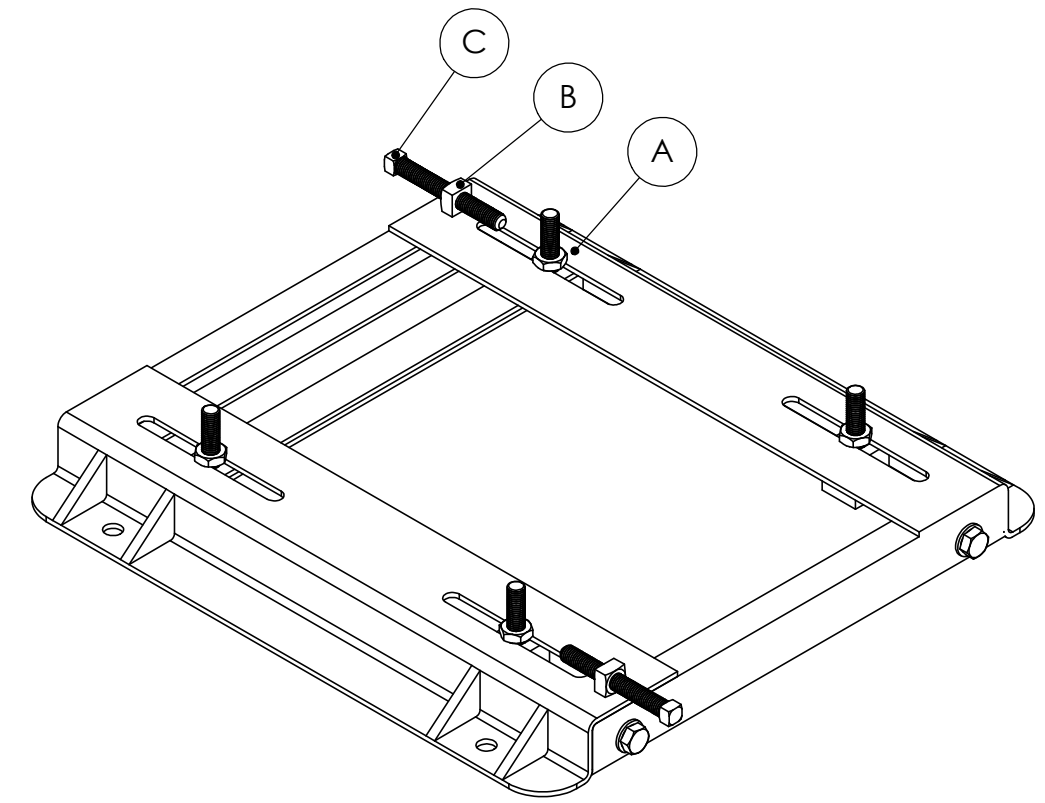
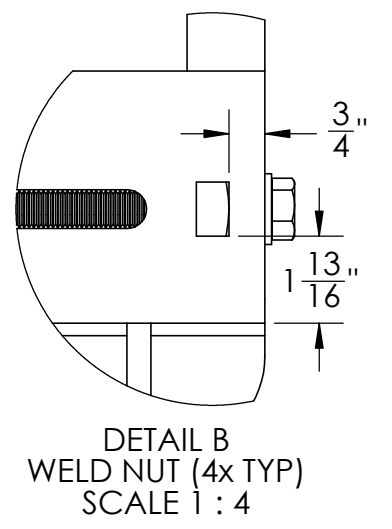
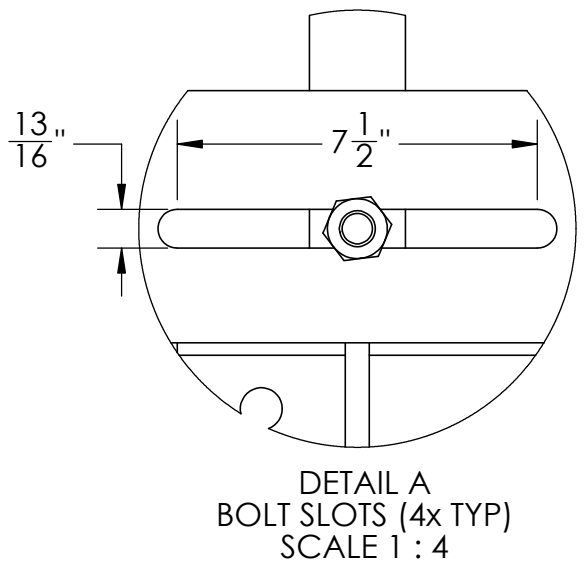
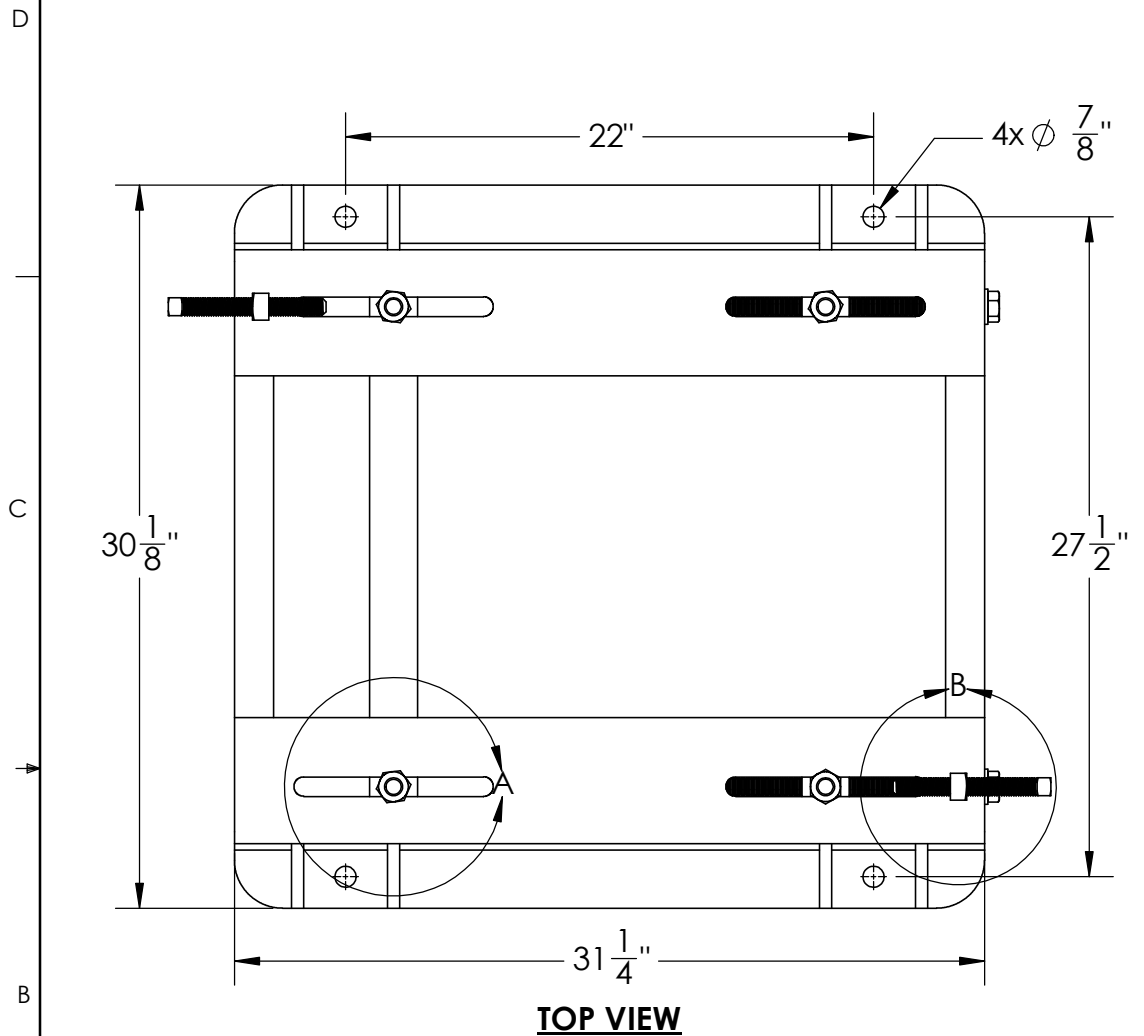


DWG. NO.
50249.W

ITEM	PART	DESCRIPTION	QTY.
A	50249	SLIDE BASE, MOTOR, 447T FRAME, DBL. ADJ.	1
B	30497	NUT, 3/4"-10, WELD, SQUARE, PLAIN	2
C	30247.A	BOLT, 3/4"-10 x 6", #5, ZINC, SET SCREW, SQUARE HEAD	2



<small>UNLESS OTHERWISE SPECIFIED: DIMENSIONS ARE IN INCHES TOLERANCES: FRACTIONAL: ± ANGULAR: MACH ± BEND ± TWO PLACE DECIMAL ± THREE PLACE DECIMAL ±</small>	DRAWN	DATE	NAME	
	AUTHOR	6/5/2018	JDM	
	CHECKED BY			
	MFG APPR.			
<small>INTERPRET GEOMETRIC TOLERANCING PER: MATERIAL: SEE BOM THICKNESS: SEE BOM FINISH WEIGHT:</small>				<small>2280 Chicopee Mill Road SW • Gainesville, GA • 30504 800-534-9933</small>
<small>COMMENTS:</small>				TITLE: BASE, MOTOR 447T FRAME PUSHING BOLTS
<small>JOB NUMBER</small>		<small>PARENT P/N</small>		<small>SIZE</small> B
<small>PROPRIETARY AND CONFIDENTIAL THE INFORMATION CONTAINED IN THIS DRAWING IS THE SOLE PROPERTY OF PDBLOWERS, INC. ANY REPRODUCTION IN PART OR AS A WHOLE WITHOUT THE WRITTEN PERMISSION OF PDBLOWERS, INC IS PROHIBITED.</small>				<small>DWG. NO.</small> 50249.W
<small>SCALE: 1:8</small>				<small>REV</small>
<small>SHEET 1 OF 1</small>				