

VIEW OF DISCHARGE

INLET & DISCHARGE FLANGES TO MATE FLUSH & SQUARE WITH FLAT FACE FLANGE ONLY. USE FULL FACE GASKETS.

V-BELT DRIVEN UNITS: MOTOR TO BE LOCATED ON INLET SIDE OF HORIZONTAL FLOW UNITS & ON DRIVE SHAFT SIDE OF VERTICAL FLOW UNITS.

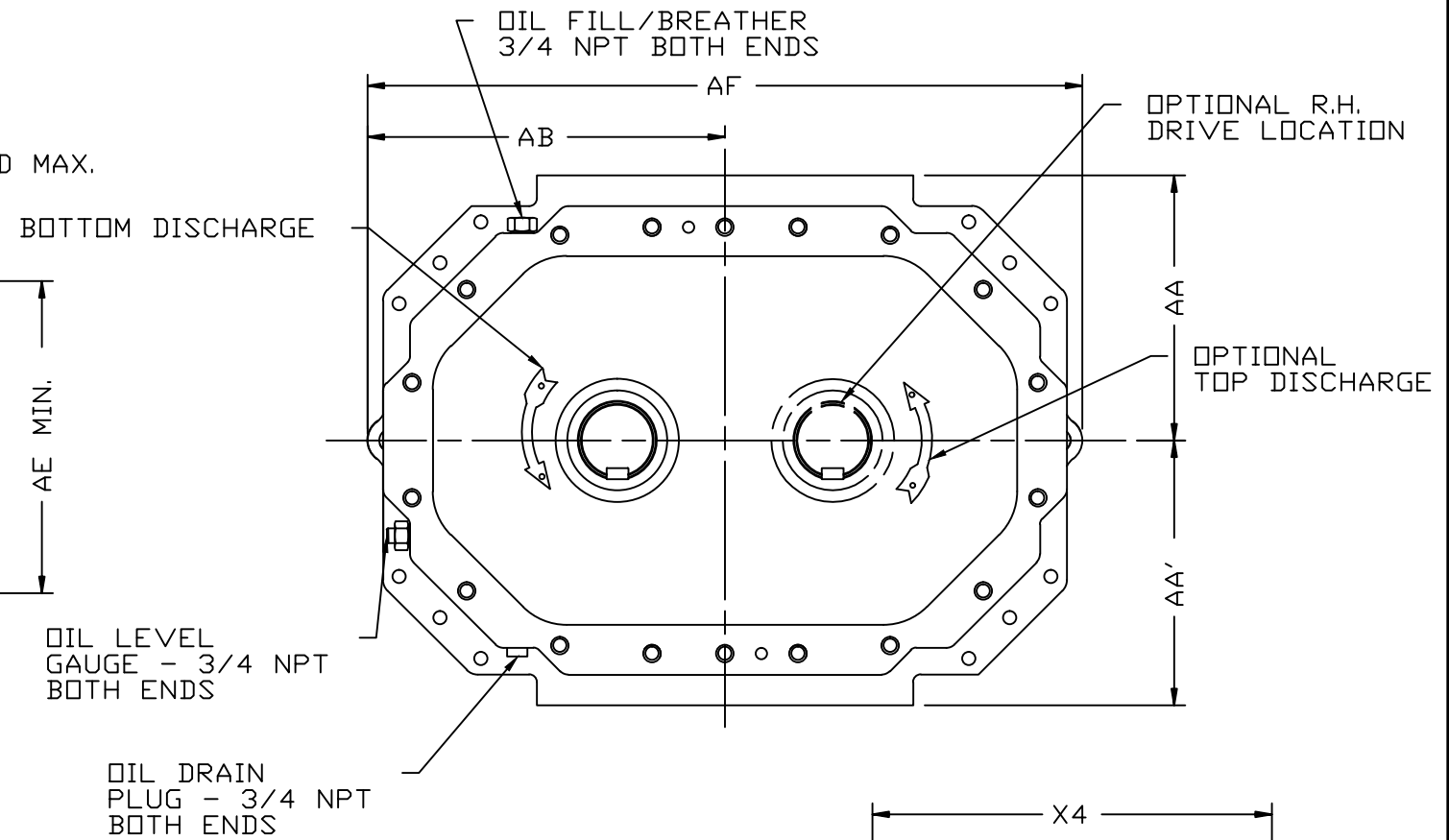
AD - MAXIMUM SHEAVE WIDTH (SEE OVERHUNG LOAD LIMIT K-24102)

AE - MINIMUM SHEAVE DIAMETER (SEE OVERHUNG LOAD LIMIT K-24102)

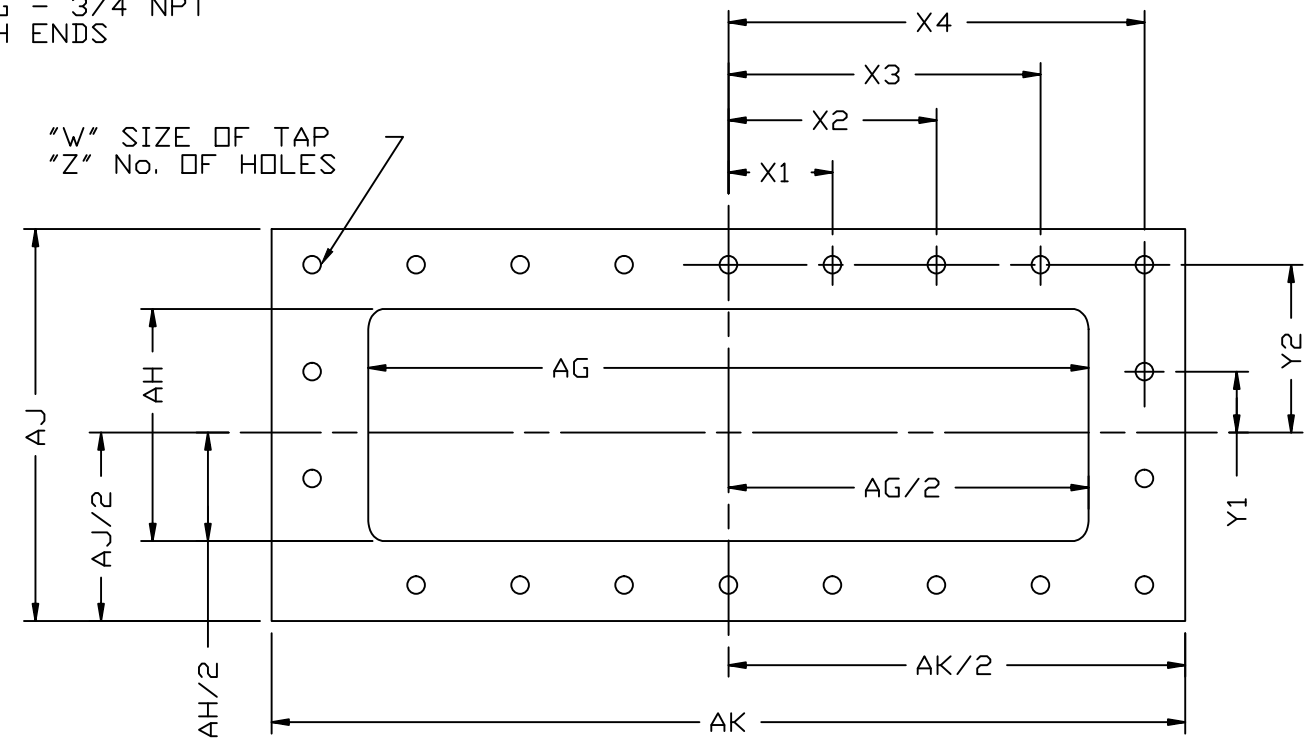
ALL DIMENSIONS IN INCHES UNLESS OTHERWISE SPECIFIED
METRIC DIMENSIONAL #90768022

| | | DRIVE LOCATION | |
|-----------------|--------|----------------|-----|
| | | LH | RH |
| DISCH. LOCATION | TOP | CW | CCW |
| | BOTTOM | CCW | CW |

UNIT IS BUILT TO CUSTOMERS SPECIFIED ORIENTATION



"W" SIZE OF TAP
"Z" No. OF HOLES



| MODEL | C | M | N | U MM | V MM | KEYWAY MM | INLET AA | DISCH AA' | AB | AD | AE | AF | AG | AH | AJ | AK | APPROX WEIGHT |
|-------|-------|-------|------|---------|---------|--------------|-------------|--------------|-------|------|-------|-------|-------|------|-------|-------|------------------|
| 722 | 41.17 | 16.14 | 4.56 | 60.00 | 76.20 | 18.0X7.0 | 8.63 | 8.63 | 11.63 | 4.43 | 11.80 | 23.25 | 17.50 | 6.75 | 12.25 | 22.75 | 1325 LBS |
| 728 | 46.92 | 19.01 | " | " | " | " | " | " | " | " | " | " | 22.50 | " | " | 28.50 | 1540 LBS |

| MODEL | X1 | X2 | X3 | X4 | Y1 | Y2 | W | Z |
|-------|------|------|------|-------|------|------|-------|----|
| 722 | 3.42 | 6.84 | - | 10.26 | 1.67 | 5.00 | M16x2 | 18 |
| 728 | 3.25 | 6.50 | 9.75 | 13.00 | 1.67 | 5.00 | M16x2 | 22 |

| | | | | | | |
|-----------------------|---------------------------------|-----|---------------|-------|-------------------|-----------------|
| CERTIFIED CORRECT FOR | UPDATE TO HOWDEN, TRI-RAM BRAND | MPM | 16849V | MNM | V-BELT DRIVE DATA | |
| CUSTOMER ORDER No. | "AH" WAS 8.75 | | 13157H | | BELTS | |
| ROOTS ORDER No. | REV DIM "AH" FROM 3.68 | | 11471H | | DRIVE SHEAVE | |
| DATE | ORACLE CONVERSION | | 11471H | | DRIVEN SHEAVE | |
| | REVISIONS | BY | CHANGE NOTICE | CHKD. | APP. | CENTER DISTANCE |

TRI-RAMTM
TRI-LOBE BLOWERS MODELS 722 & 728

Connersville, IN USA
P: 765-827-9200
F: 765-827-9266

Howden

DR CHKD APP

90762021 REV. D