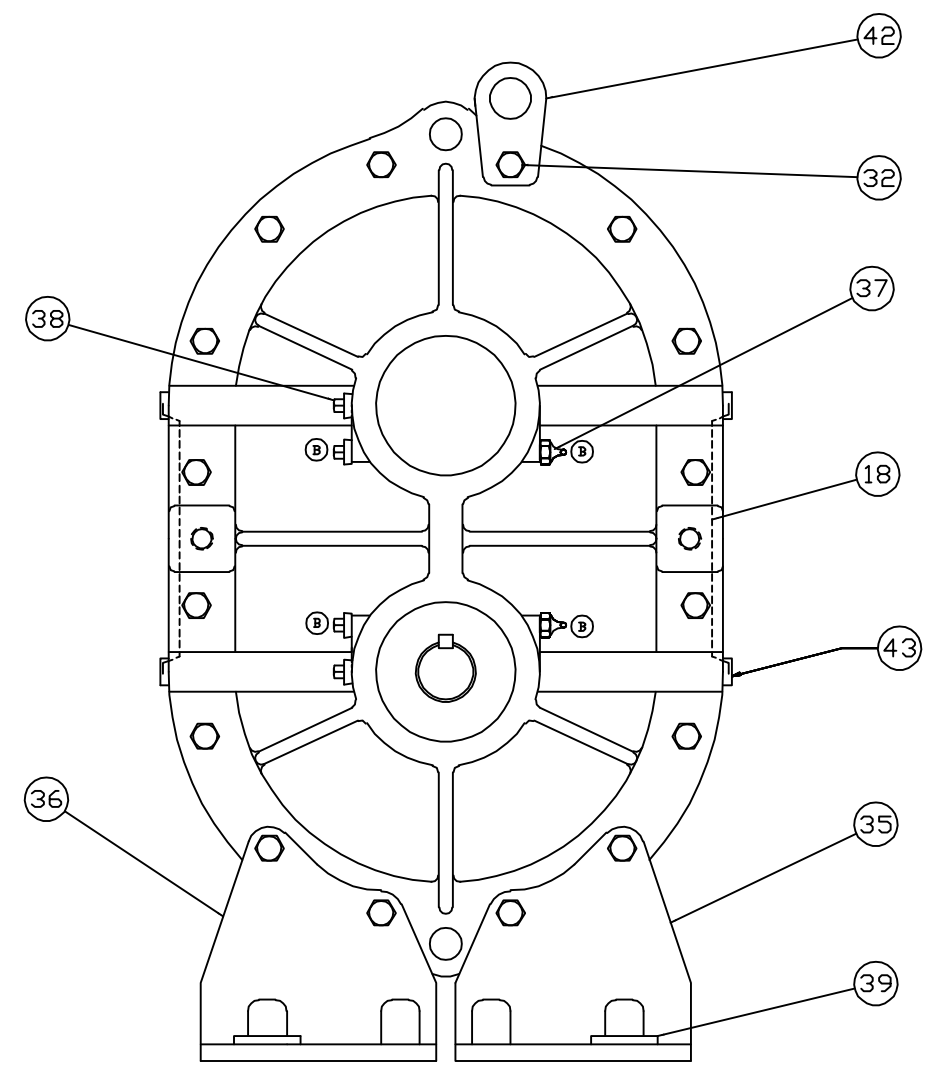
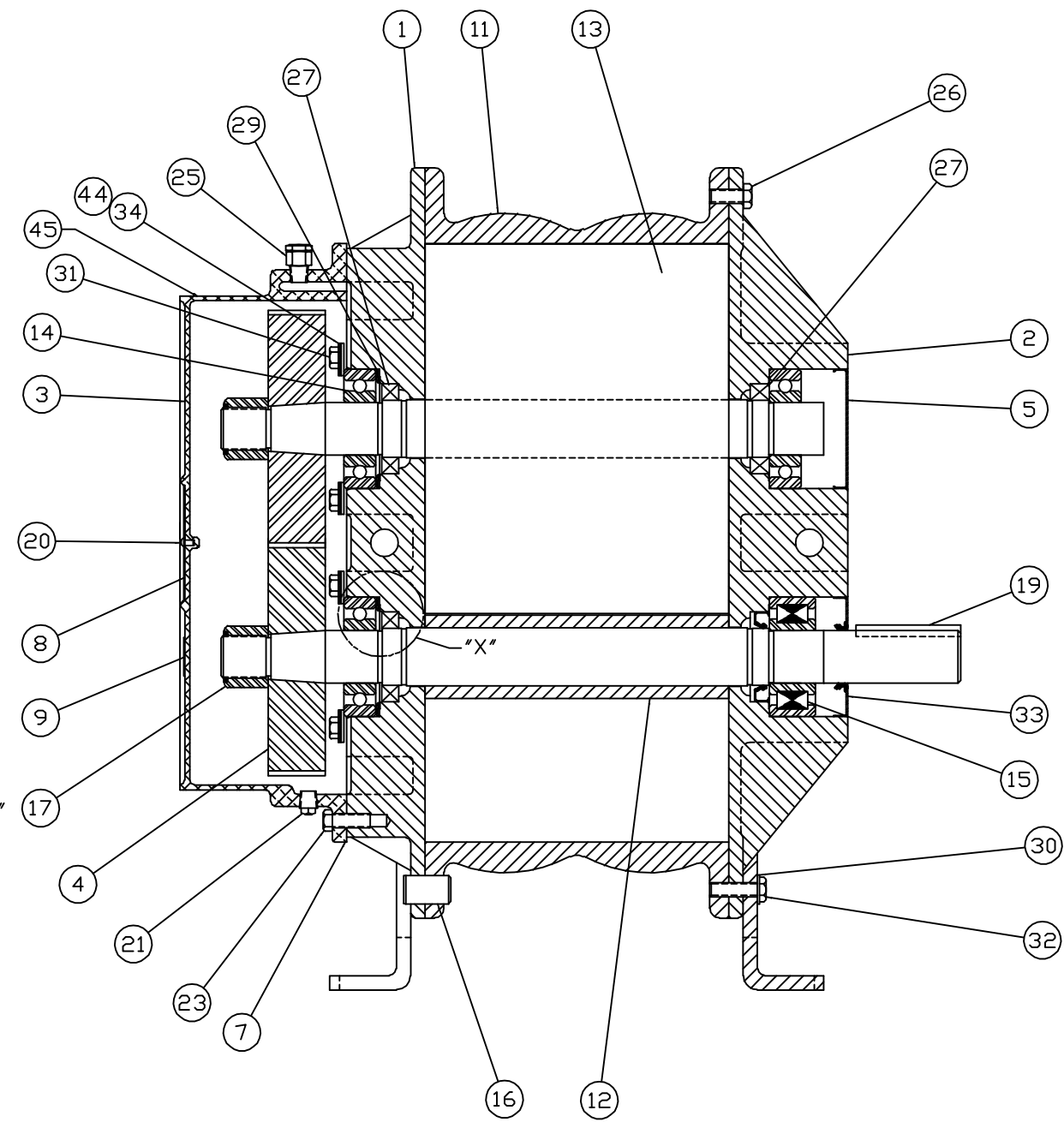
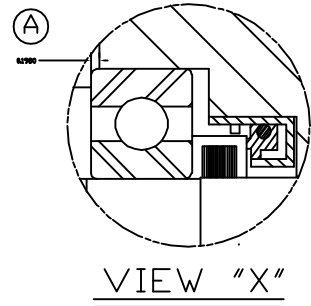


No. REQ'D	PART NAME	PART No. PART No.	MAT'L.



SEE NOTE "C"

NOTES

- A USE LOCKTITE #2 (30515) BETWEEN HEADPLATE AND CYLINDER JOINTS.
- B SEE OPERATING MANUAL IRB-180 FOR LUBRICATION INSTRUCTION
- C NUT TO BE TORQUED TO: 6"---400 LB. FT.

MFG. REF.	REF. 64792023	DATE	DR. VC	CHKD.	APP.	BY	DATE	CHANGE NOTICE	CHKD.	APP.
CONFIDENTIAL THIS DOCUMENT CONTAINS CONFIDENTIAL INFORMATION OF ROOTS DIVISION, DRESSER INDUSTRIES, INC. IT SHALL BE HELD IN STRICTEST CONFIDENCE, AND BE USED ONLY IN CONJUNCTION WITH ROOTS DIVISION BUSINESS.										
DO NOT SCALE FOR DIMENSIONS ALL DIMENSIONS SHOWN IN BRACKETS () ARE MILLIMETERS										
SECTIONAL ASSEMBLY FOR 6" U-RAI GAS BLOWERS										
ROOTS DIVISION DRESSER EQUIPMENT GROUP A HALLIBURTON COMPANY HOUSTON, TX USA										
T30110023										
REV B										

Roots Universal RAI Series Gas Blowers Parts List
6" Gear Diameter

(Refer to drawing #T3011023)

Item Number	Part Name	Quantity
1	Headplate Gear End	1
2	Headplate Drive End	1
3	Gearbox	1
4	Timing Gears	2
5	Cover-Blind (Plug Opening)	1
7	Gasket, Gear Box	1
7†	Gasket DE Cover	1
11	Cylinder	1
12	Impeller & Shaft Drive	1
13	Impeller & Shaft Driven	1
14	Bearing, Ball	3
15	Bearing, Roller	1
16	Pin, Dowel	4
17	Gear Nut	2
19	Key	1
21	Plug, Pipe	3
23	Screw Hex Nylock	8
25	Breather (Plug Vent)	1
26	Screw, Hex	14††
27	Seal, Bearing	4
31	Screw, Hex	4
32	Screw, Hex	10
33	Seal Lip-Drive	1
34	Clamp Plate	2
35	Foot	2
37	Fitting, Grease	2
38	Fitting, Relief	2
39	Washer Mounting	4
40	Screw Socket	2
42	Screw Hex	2
43	Plug	8
51	Shoulder Bolt	2
53	Oil Sight Glass	2

†DE cover gasket is not the same as the gasket used on the GE model. You must specify the gasket required when ordering.

††Quantities vary by blower.