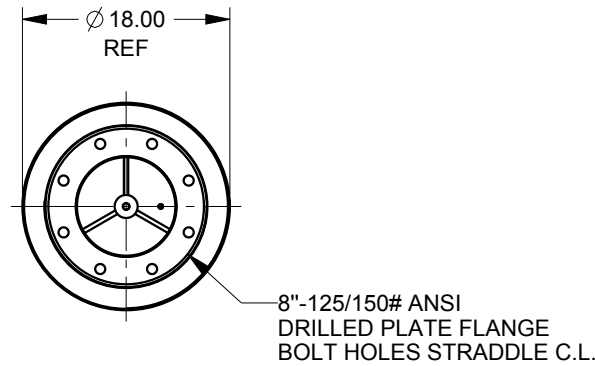
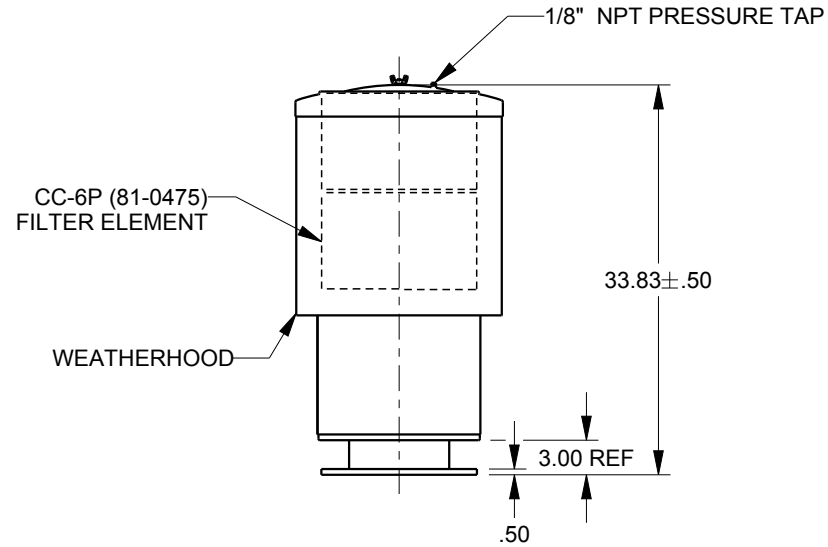


Item #	MM #	DIR #	Description	Qty
1	1000003595	10000125423	STANDARD CCS-8 FILTER ASSEMBLY	1
2	2000000935	10000093683	CC-6P PAPER FILTER CARTRIDGE	2

REVISION RECORD				
NO.	CHANGE DESCRIPTION	ECO	DRAWN	APP'D



NOTE:  
 1. NOMINAL CAPACITY:  
 2,200 CFM AT FLOW VELOCITY  
 OF APPROX. 5,500 FT/MIN.

DIMENSIONS CERTIFIED FOR:		TOLERANCES UNLESS STATED - SEE FULL SPEC. 88-0075				Copyright © 2010 UNIVERSAL All Rights Reserved		<b>UNIVERSAL</b> Acoustic & Emission Technologies		MM NO. 1000001334			
		(mm)	US customary (")	(mm)	US customary (")	This Document and the information contained herein constitutes proprietary property, and shall not be copied or used or disclosed without the express written consent of Universal Acoustic & Emission Technologies Inc.		DESCRIPTION 34-K08-AAP CATALOG CCS-8 INTAKE FILTER		DIR. VERSION: 00			
P.O. NO:		0-300	0-12	±1.6	±1/16					ASSEMBLY DIR. NO:		SHEET	REV.
U.S. S.O. NO:		>300-600	>12-24	±3	±1/8					10000125437		1 OF 1	0
BY		>600-900	>24-36	±5	±3/16								
DATE		>900-6000	>36-240	±6	±1/4								
		>6000	>240	±12	±1/2	THIRD ANGLE PROJECTION 							
		DO NOT SCALE DRAWING				NAME		DATE					
		APPROX. WT.	54 LBS	MATERIAL	CS	DRAWN	BSB	03/28/2016					
		FINISH	88-1085 BLUE ENAMEL			CHECKED	MCM	03/28/2016					