

## B-Series Temperature Switches



### FEATURES

*B-Series switches have proven reliable in such harsh environments as:*

- *Offshore oil rigs*
- *Chemical and petrochemical plants*
- *Pulp and paper mills*
- *Steel mills*
- *Power plants*
- *Water and sewage-treatment plants*
- *Other corrosive environments*

Ashcroft Inc. supplies highly reliable Ashcroft® switches and controls for industrial and process applications. We begin with rock-solid designs, matching the most appropriate technology with the safety and reliability requirements of the applications. The materials of construction are specified to Ashcroft's exacting standards, and product is built to last in the toughest applications. Our modern, responsive manufacturing facility is supported by an extensive network of stocking distributors and factory sales offices located in virtually every part of the world. Special application assistance is always just a telephone call away.

The Ashcroft B-Series switch line is designed to satisfy most switch requirements. Materials of construction have been selected for long life. A wide variety of precision switch elements are available to meet every application requirement, including hermetically sealed contacts for added reliability and safety. The actuators we use have been proven in more than 20 years of service in the world's plants and mills. Special designs are available for fire safety, NACE, limit control and other more stringent requirements. Simplicity and ease of use are stressed to improve reliability of the installation.

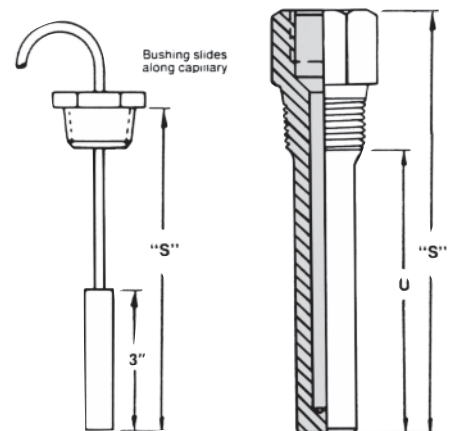
Applications include: pumps, compressors, washers, filters, degreasers, evaporators, recovery systems, food processing, ground support equipment, reverse osmosis systems, heat exchangers, hydraulic systems, lubrication systems, marine equipment, textile machinery, heating and air conditioning equipment.

### Thermowells

Thermowells must be used on any application where the stem of the temperature switch may be exposed to pressure, corrosive fluids or high velocity. Additionally, the use of a thermowell permits instrument interchange or calibration check without disturbing or closing down the process.

Ashcroft temperature switches have bulb diameters to match  $\frac{3}{8}$ " nominal bore thermowells. The bulbs have a sensitive portion length of 2" which can be used with  $2\frac{1}{2}$ " "U" dimensioned thermowells or longer. For maximum accuracy, a thermowell's "U" dimension should be selected to permit complete immersion of the sensitive portion plus 1" when measuring the temperature of liquids; an extra 3" should be allowed when measuring the temperature of gases.

Thermowell bushings should be used with remote mount temperature switches. We recommend the standard 3" bulb and code 69 Series bushings for use with any thermowell "U" dimension. A split rubber grommet allows easy installation and "S" dimension adjustment.



## B-Series Temperature Switches

### Temperature Switches

B-Series temperature switches feature a SAMA Class II vapor pressure thermal system. This system provides quick, accurate response to process temperature changes with negligible ambient temperature effects. This is inherent in the design due to the precise relation-

ship that exists between temperature and pressure according to the vapor pressure laws. A wide selection of sensing bulb and armored capillary lengths is available. The vapor pressure system design features small bulb sizes, making installation easy and cost-effective.

All models feature  $\pm 1.0\%$  percent of

span setpoint repeatability with very high overtemperature ratings.

These standard designs perform well in applications where shock and vibration could be a problem and should be used with Ashcroft thermowells for bulb protection and ease of installation and maintenance.

### STANDARD TEMPERATURE RANGE SELECTION

Nominal Range <sup>(1),(5)</sup>		Maximum Temperature	Approximate Deadband <sup>(1)</sup> Switch Element <sup>(4)</sup>				
°F	°C		°F	20, 26, 27	21, 24, 31	50	22
-40 to 60	-40 to 16	400	1.0-2.0	3.0-8.0	1.5-5.5	1.4-6.0	8.0-16.0
0 to 100	-20 to 40	400	1.5-3.0	5.0-12.0	2.2-8.5	1.5-7.5	9.0-20.0
75 to 205	20 to 95	400	1.5-3.5	8.0-16.0	2.5-12.0	2.0-9.0	10.0-24.0
150 to 260	65 to 125	400	1.5-3.0	5.0-12.0	2.2-8.5	2.0-9.0	10.0-24.0
235 to 375	110 to 190	500	1.5-3.5	5.0-12.0	2.5-8.5	2.0-9.0	10.0-24.0
350 to 525 <sup>(3)</sup>	175 to 275	700	2.0-4.5	8.0-16.0	3.2-12.0	2.5-10.0	15.0-34.0
500 to 750 <sup>(2)</sup>	260 to 400	900	4.0-8.0	16.0-30.0	7.2-24.0	5.0-23.0	30.0-50.0

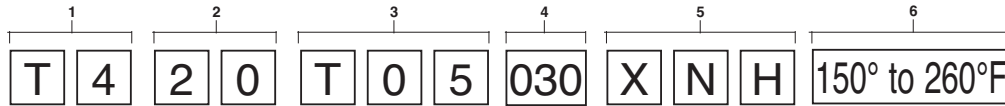
#### NOTES:

- 1 All deadbands given in °F.
- 2 Available with remote mount thermal systems only.
- 3 Not available with 2 $\frac{3}{4}$ " stem.
- 4 Dual switch element multiply single switch element value by 1.6 for approximate deadband.
- 5 Set and reset points must fall within the adjustable range.

## B-Series Temperature Switches

### B-SERIES TEMPERATURE SWITCH MODEL NUMBER:

To specify the exact switch desired, select entries from appropriate tables as shown in example below.



1 – ENCLOSURE	
<b>T4</b>	Temperature switch, Type 400, watertight enclosure meets NEMA 3, 4, 4X, 13 and IP66 requirements.
<b>T7</b>	Temperature switch, Type 700, explosion-proof enclosure meets Div. 1 & 2, NEMA 7, 9 and IP66 requirements.

2 – SWITCH ELEMENT SELECTION		
Order Code	Switch Elements UL/CSA Listed SPDT	
<b>20<sup>(7)</sup></b>	Narrow deadband ac	15A, 125/250 Vac
<b>21</b>	Ammonia service	5A, 125/250 Vac
<b>22<sup>(6)</sup></b>	Hermetically sealed switch, narrow deadband	5A, 125/250 Vac
<b>23</b>	Heavy duty ac	22A, 125/250 Vac
<b>24<sup>(1)</sup></b>	General purpose	15A, 125/250/480 Vac ½A, 125 Vdc ¼A, 250 Vdc; 6A, 30 Vdc
<b>25</b>	Heavy duty dc	10A, 125 Vac or dc, ⅛ HP, 125 Vac or dc
<b>26<sup>(7)</sup></b>	Sealed environment proof	15A, 125/250 Vac
<b>27</b>	High temperature 300°F	15A, 125/250 Vac
<b>28<sup>(5)</sup></b>	Manual reset trip on increasing	15A, 125/250 Vac
<b>29<sup>(5)</sup></b>	Manual reset trip on decreasing	15A, 125/250 Vac
<b>31</b>	Low level (gold) contacts	1A, 125 Vac
<b>32</b>	Hermetically sealed switch, general purpose	11A, 125/250 Vac 5A, 30 Vdc
<b>42</b>	Hermetically sealed gold contacts	1A, 125 Vac
<b>50</b>	Variable deadband	15A, 125/250 Vac
UL/CSA Listed Dual (2 SPDT)		
<b>61<sup>(7)</sup></b>	Dual narrow deadband	15A, 125/250 Vac
<b>62<sup>(7)</sup></b>	Dual sealed environment proof	15A, 125/250 Vac
<b>63</b>	Dual high temp. 300°F	15A, 125/250 Vac
<b>64</b>	Dual general purpose	15A, 125/250/480 Vac ½A, 125 Vdc ¼A, 250 Vdc
<b>65</b>	Dual ammonia service	5A, 125/250 Vac
<b>67<sup>(4,6)</sup></b>	Dual hermetically sealed switch, narrow deadband	5A, 125/250 Vac
<b>68<sup>(4)</sup></b>	Dual hermetically sealed switch, general purpose	11A, 125/250 Vac 5A, 30 Vdc
<b>70</b>	Dual low level gold contacts	1A, 125 Vac
<b>71<sup>(4)</sup></b>	Dual hermetically sealed switch, gold contacts	1A, 125 Vac

3 – THERMAL SYSTEM SELECTION			
Direct Mount			
Order Code	System Material	Style	
<b>TS</b>	316 SS	Rigid	
Remote Mount			
Order Code	System Material	Line Length	Style <sup>(9)</sup>
<b>T05</b>	316 SS	5'	Capillary with 302 SS Spring Armor
<b>T10</b>	316 SS	10'	
<b>T15</b>	316 SS	15'	
<b>T20</b>	316 SS	20'	
<b>T25</b>	316 SS	25'	

4 – BULB LENGTH SELECTION		
Direct Mount		
Order Code	"S" Dimension	Minimum Thermowell "U" Dimension
<b>027<sup>(8)</sup></b>	2¾"	–
<b>040</b>	4"	2½"
<b>060</b>	6"	4½"
<b>090</b>	9"	7½"
<b>120</b>	12"	10½"
Remote Mount		
<b>030<sup>(9)</sup></b>	3"	2½"

5 – OPTIONS	
Use table on page 7	

6 – STANDARD TEMPERATURE RANGE SELECTION	
Adjustable Range	
°F	°C
–40 to 60	–40 to 16
0 to 100	–20 to 40
75 to 205	20 to 95
150 to 260	65 to 125
235 to 375	110 to 190
350 to 525	175 to 275
500 to 750 <sup>(2)</sup>	260 to 400

#### NOTES:

- Standard switch.
- Available with remote mount thermal systems only.
- Dual switches are 2 SPDT snap-action switches, not independently adjustable.
- Wires cannot be terminated inside T400 switch enclosure.
- Not available with Type 700 enclosure.
- Estimated dc rating, 2.5A, 28 Vdc (not UL listed).
- Estimated dc rating, 0.4A, 120 Vdc (not UL listed).
- Not available on 350 to 525°F.
- Consult factory on remote mount for bulb lengths other than 3'.

## B-Series Switches – Temperature

### OPTIONAL FEATURES AND ACCESSORIES

B-SERIES SWITCH OPTIONS			
Code	Description	Applicable Switch Series	
		Temperature	
		All Ranges	
		Notes	
<b>XBX</b>	1/2" Male NPT Bushing	•	
<b>XCH</b>	Chained Cover	•	
<b>XC8</b>	CSA Approval	•	1
<b>XCN</b>	ATEX Directive 94/9/EC	•	2
<b>XFP</b>	Fungus Proofing	•	
<b>XFS</b>	Factory Adjusted Setpoint	•	3
<b>XJK</b>	Left Conduit Connection	•	4
<b>XJL</b>	3/4" to 1/2" Reducing Bushing	•	
<b>XJM</b>	Metric Electrical Conduit Connection M20 x 1.5	•	
<b>XK3</b>	Terminal Block (700 Series only)	•	5
<b>XLE</b>	6 foot Leads on the Micro Switch	•	
<b>XNH</b>	Tagging Stainless Steel	•	
<b>XNN</b>	Paper Tag	•	
<b>XPK</b>	Pilot Light(s) Top Mounted	•	6
<b>XPM</b>	3/4" Sealed Conduit Connection with 16" Lead Wires	•	
<b>XTM</b>	2" Pipe Mounting Bracket	•	
<b>XUX</b>	IECEX Rating (700 Series only)	•	

#### NOTES:

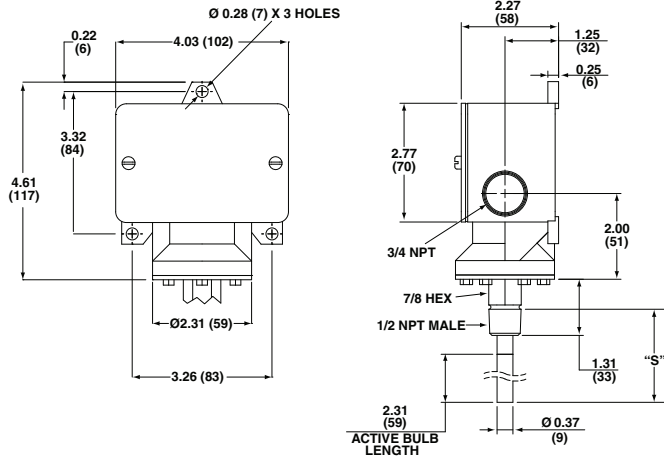
- 1 Standard on 400 Series.
- 2 700 Series only.
- 3 Advise static or working pressure for differential pressure switches.
- 4 Standard on 700 Series. N/A with DPDT element on 400 Series.
- 5 Terminal Blocks standard with 700 dual switches.
- 6 N/A on 700 Series.

 II 2GD  
 Ex d IIC T6 Gb  
 Ex t IIC T85° C Db IP 6X  
 (Ta = -20°C to +60°C)

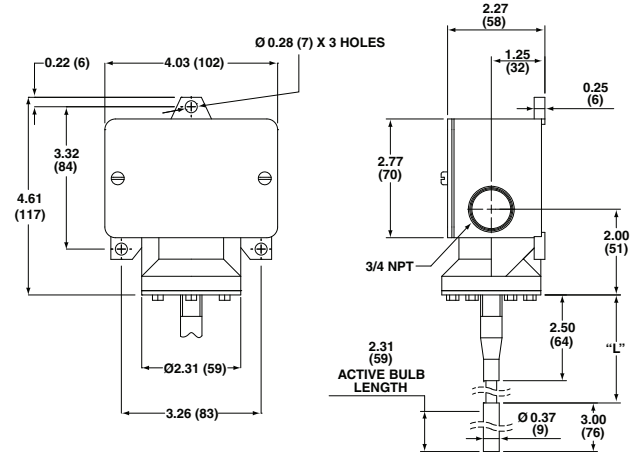
# B-Series Temperature Switches

## Dimensions – 400 Series

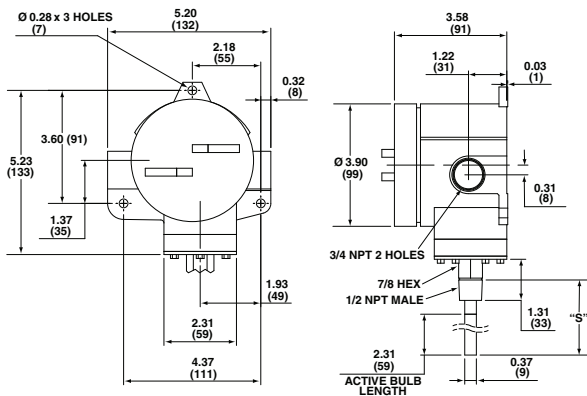
Temperature switch – direct mount



Temperature switch – remote mount



Temperature switch – direct mount



Temperature switch – remote mount

