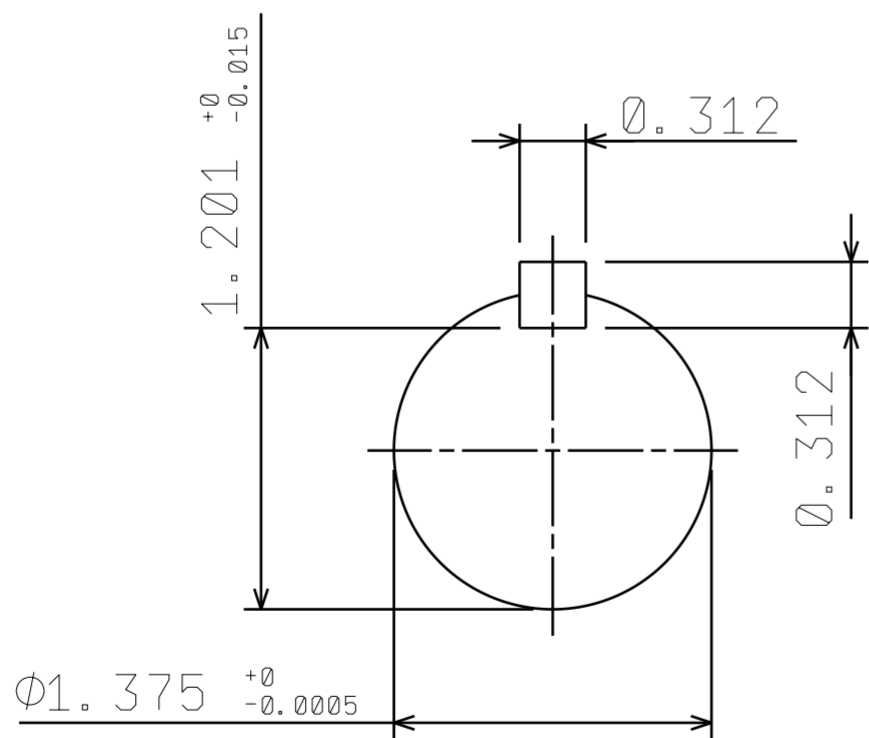
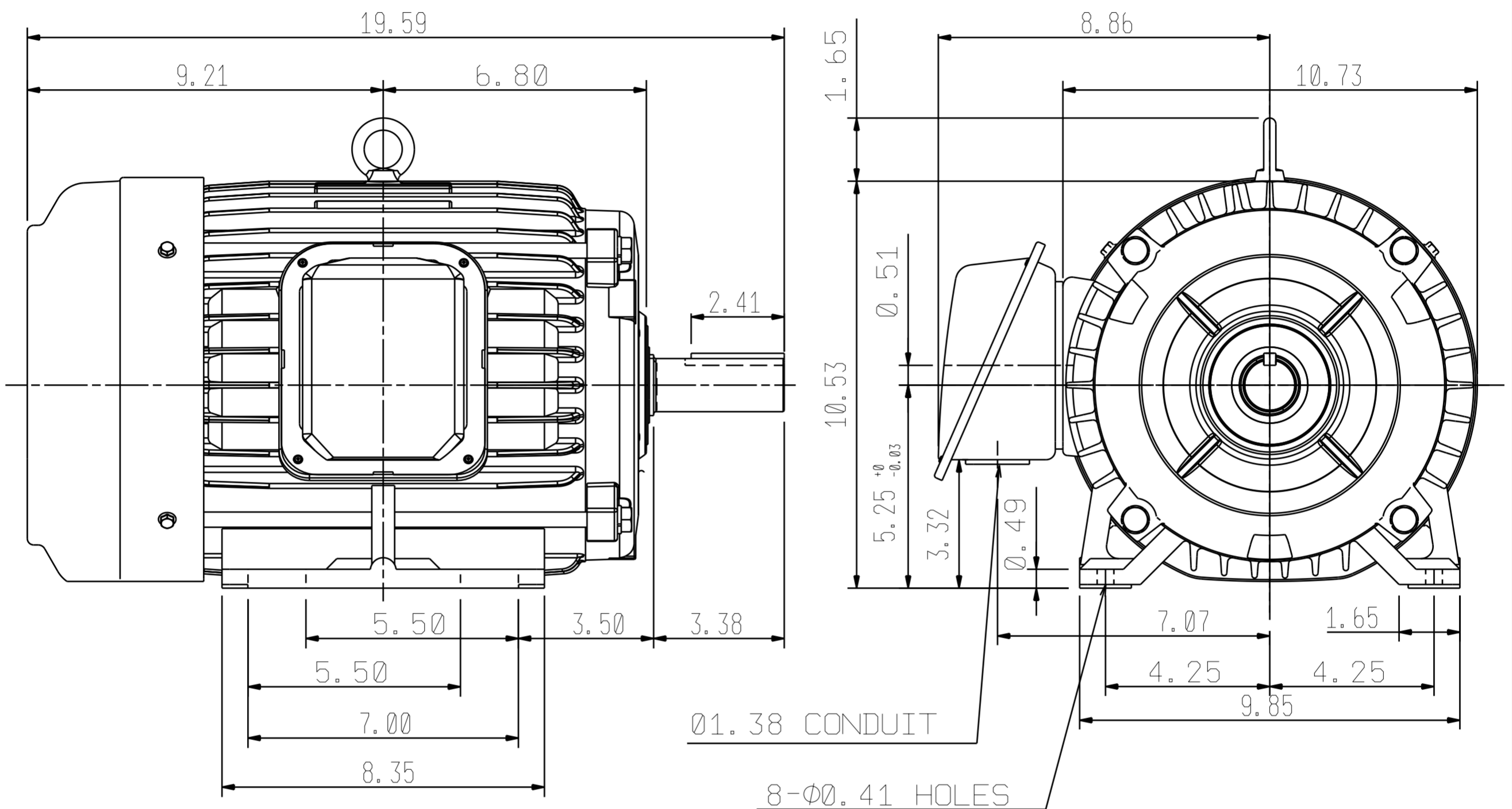


DATE MARCH. 4, 2020	OUTLINE DIMENSIONS 3-PHASE INDUCTION MOTOR	MOTOR TYPE: AEHH8P
DATE NP0104		FRAME NO. 215T

Pole	HP	kW	Hz	VOLT	r/min (rpm)
4	10	7.5	60	230/460	1800

Ins	Rating	Dimension in	Approx Weight	Bearings
F	CONT.	Inch	170 lbs	DE: 6308ZZ NDE: 6306ZZ

Totally Enclosed Fan-Cooled Type. Squirrel-Cage Rotor.



②	07 19 19	Modified Dimesions	Mahato
---	----------	--------------------	--------

DWG.	Mahato	12 28 18	TEC Westinghouse	DWG NO.	31049R344012
CHKD.	M. C. JENG	05 30 19			
APPD.	M. C. JENG	05 30 19			