

DATE
APRIL. 28, 2020
CAT. #:
NP0204

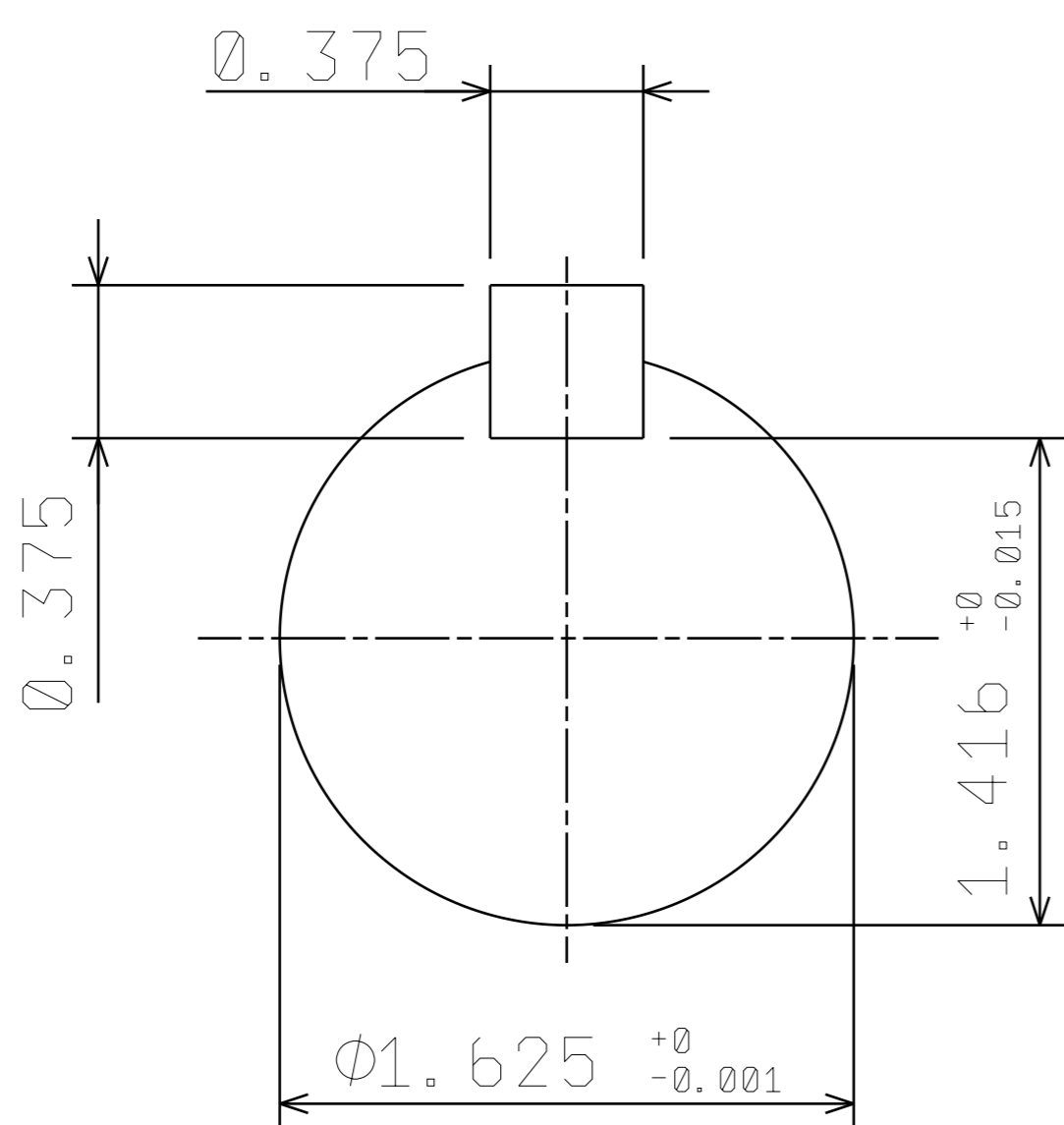
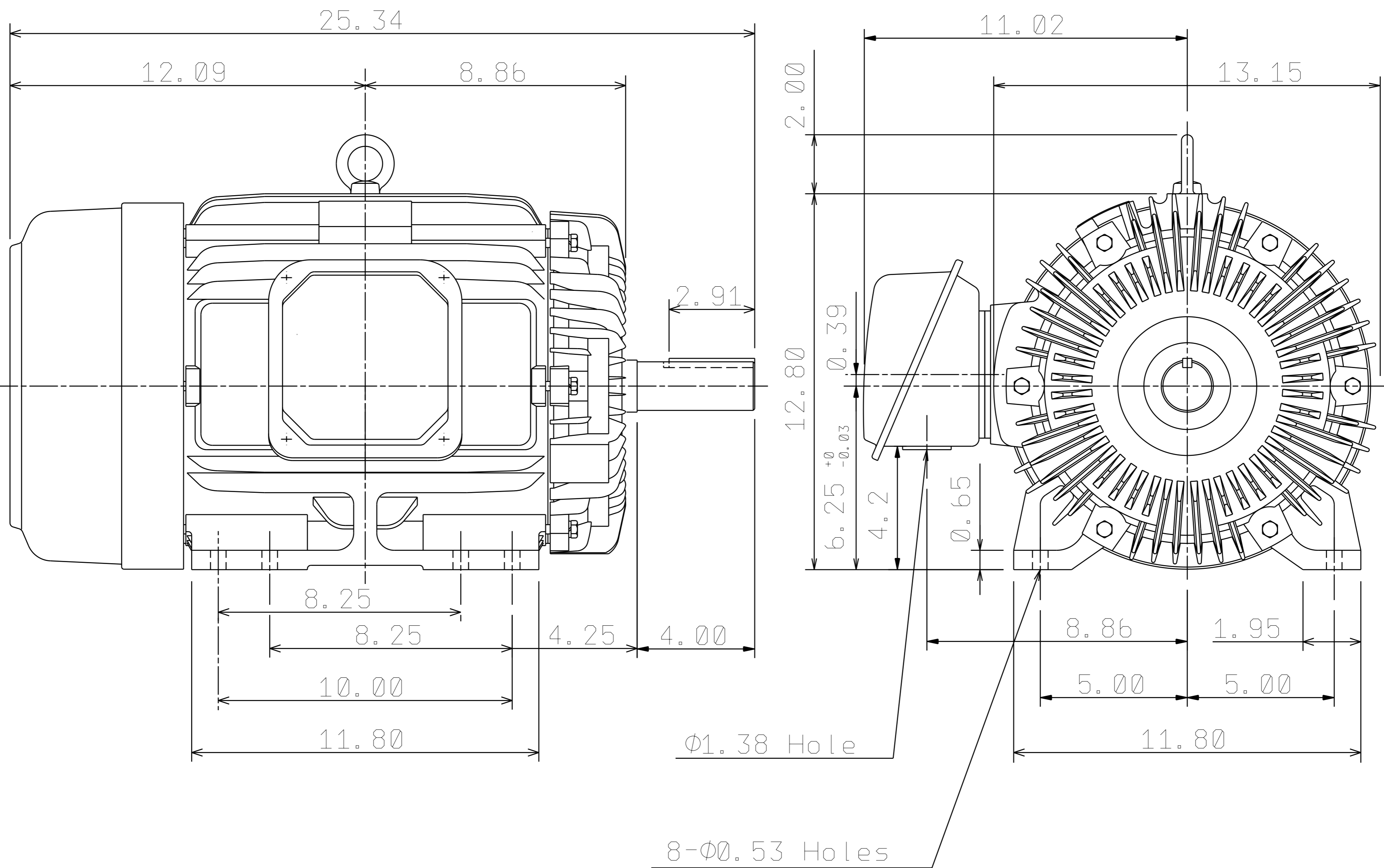
OUTLINE DIMENSIONS

3-PHASE INDUCTION MOTOR

MOTOR TYPE:
AEHH8P
FRAME NO. 256T

Pole	HP	kW	Hz	VOLT	r/min (rpm)
4	20	15	60	230/460	1800
Ins	Rating	Dimension in	Approx Weight	Bearings	
F	CONT.	inch	347 lbs	DE: 6309ZZ	NDE: 6307ZZ

Totally Enclosed Fan Cooled Squirrel Cage Rotor.



① 01.16.20 Enlarge T-BOX volume. Z. L. LEE

DWG.	H. C. YANG	07.12.19
CHKD.	M. C. JENG	07.16.19
APPD.	M. C. JENG	07.16.19

TEC   Westinghouse

DWG NO.
31057M089061