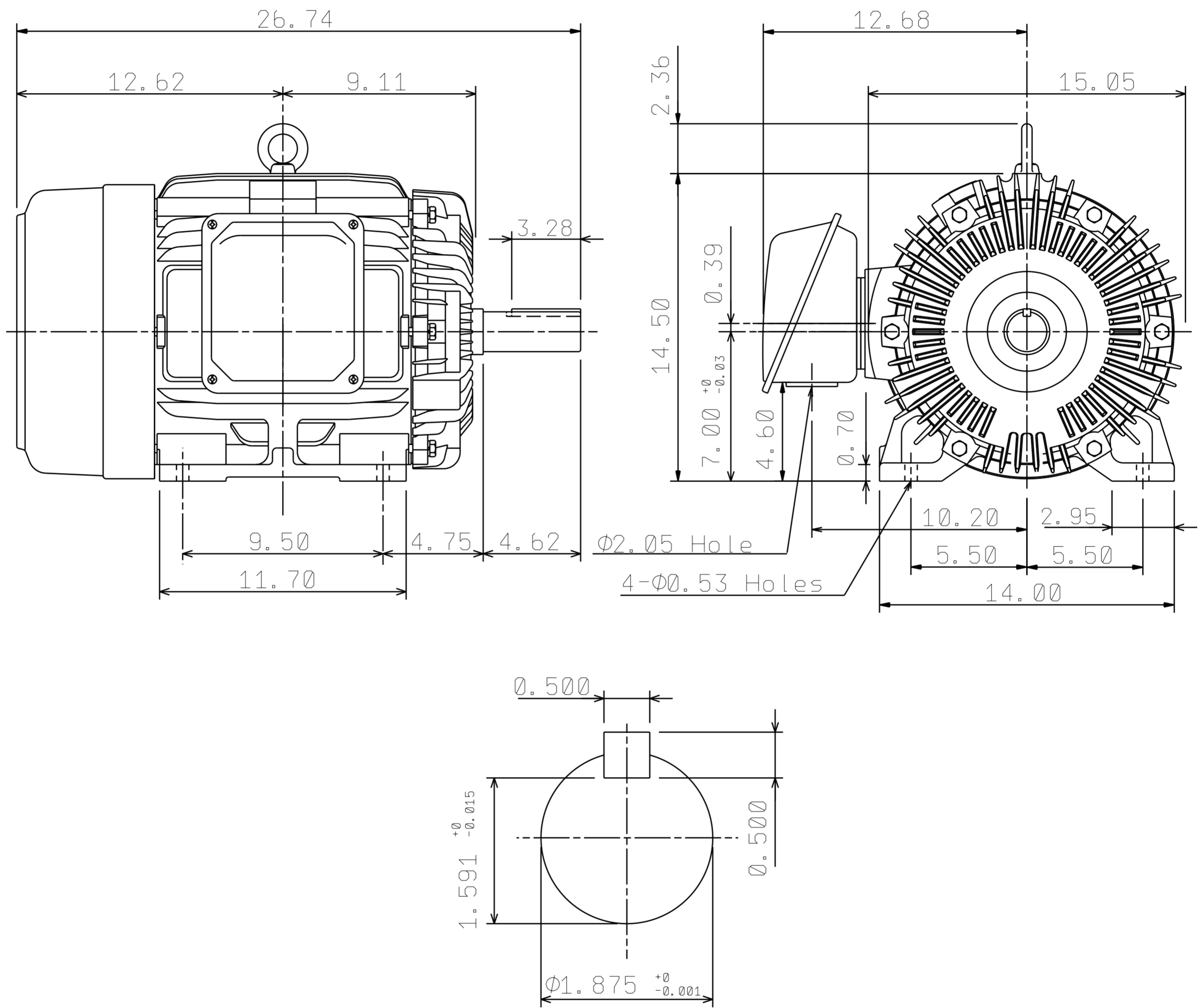


DATE APRIL. 28, 2020	OUTLINE DIMENSIONS 3-PHASE INDUCTION MOTOR	MOTOR TYPE: AEHH8P
CAT. #: NP0254		FRAME NO. 284T

Pole	HP	kw	Hz	VOLT	r/min(rpm)
4	25	18.5	60	230/460	1800

Ins	Rating	Dimension in	Approx Weight	Bearings
F	CONT.	inch	429 lbs	DE: 6311ZZ NDE: 6310ZZ

Totally Enclosed Fan-Cooled Type. Squirrel-Cage Rotor.



②	01.16.20	Enlarge T-BOX volume.	Z.L.LEE
---	----------	-----------------------	---------

DWG.	H.C. YANG	06.27.19		DWG NO.	31057M091012
CHKD.	M.C. JENG	06.28.19			
APPD.	M.C. JENG	06.28.19			