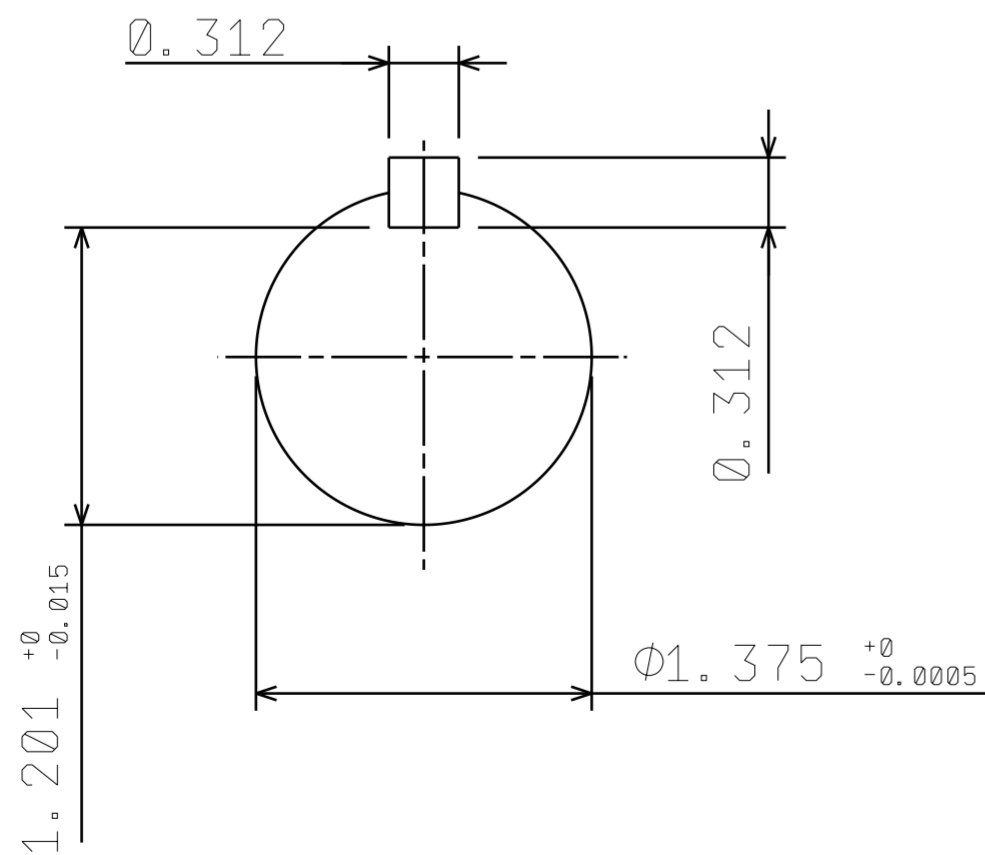
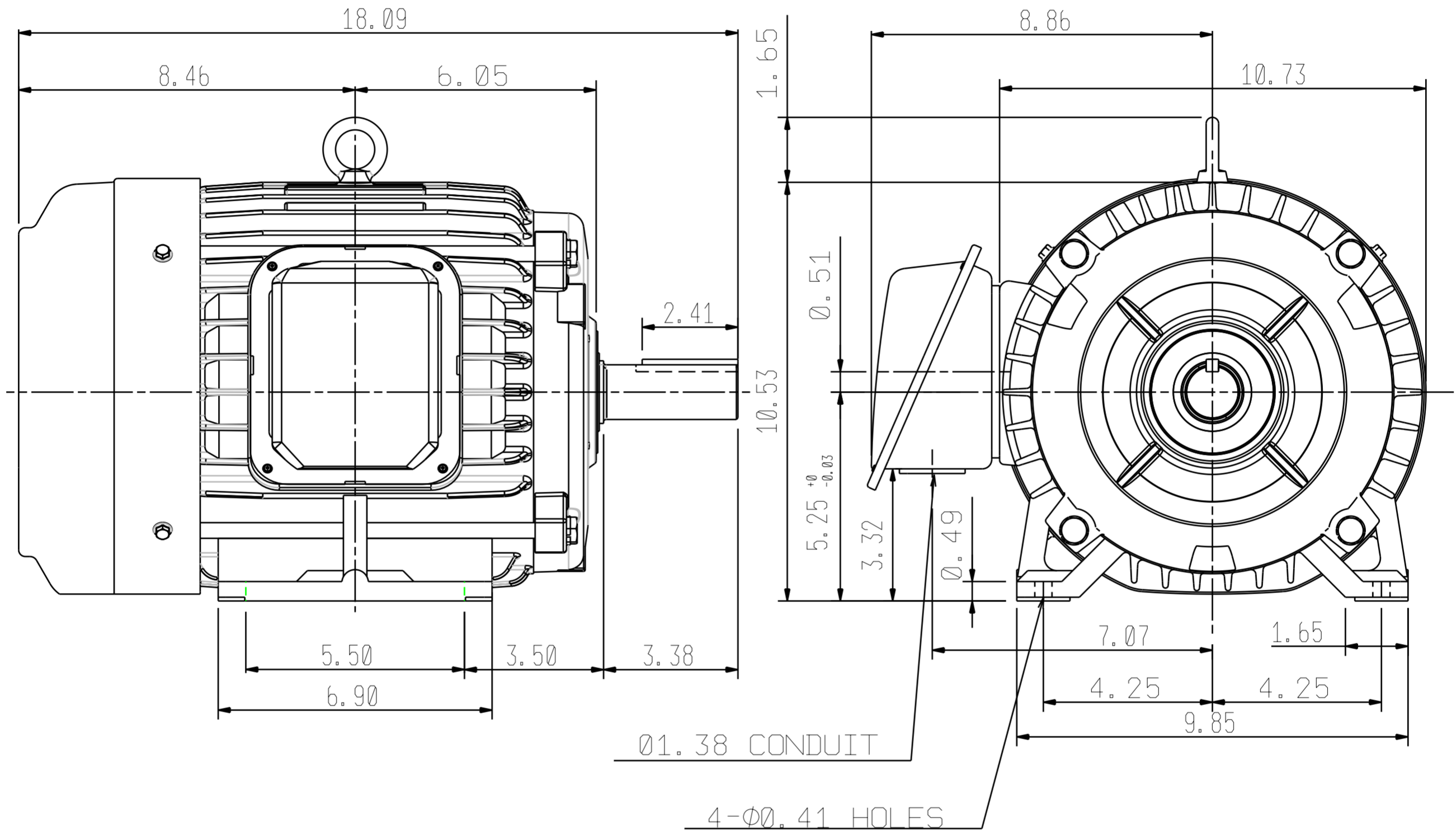


DATE MARCH. 3, 2020	OUTLINE DIMENSIONS 3-PHASE INDUCTION MOTOR	MOTOR TYPE: AEHH8P
CAT. #: NP7/54		FRAME NO. 213T

Pole	HP	kW	Hz	VOLT	r/min(rpm)
4	7.5	5.5	60	230/460	1800
Ins	Rating	Dimension in	Approx Weight	Bearings	
F	CONT.	Inch	151 lbs	DE: 6308ZZ NDE: 6306ZZ	

Totally Enclosed Fan-Cooled Type. Squirrel-Cage Rotor.



②	07 19 19	Modified Dimensions	Mahato
---	----------	---------------------	--------

DWG.	Mahato	12 • 28 • 18	TEC   Westinghouse	DWG NO.
CHKD.	M. C. JENG	05 • 30 • 19		31049R343012
APPD.	M. C. JENG	05 • 30 • 19		