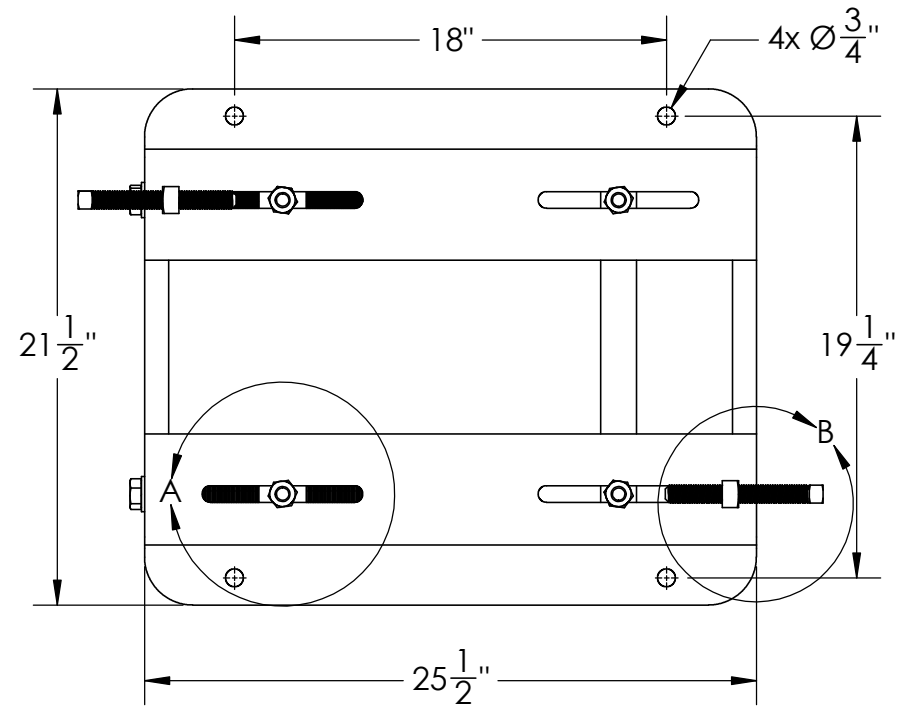
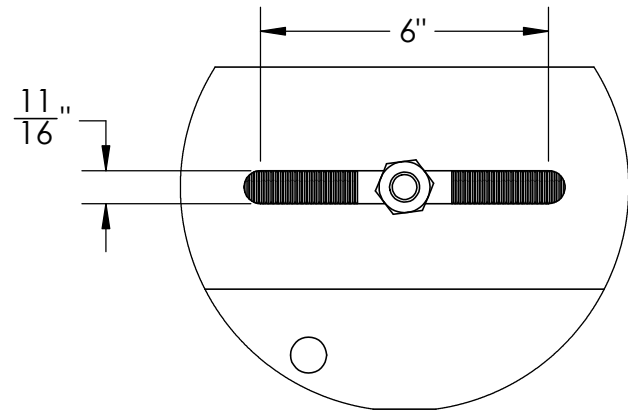


DWG. NO.  
54997.W

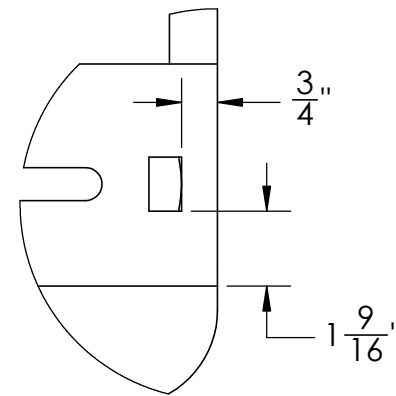
ITEM	PART	DESCRIPTION	QTY.
A	54997	SLIDE BASE, MOTOR, 365T FRAME, DBL. ADJ.	1
B	30497	NUT, 3/4"-10, WELD, SQUARE, PLAIN	2
C	30247.A	BOLT, 3/4"-10 x 6", #5, ZINC, SET SCREW, SQUARE HEAD	2



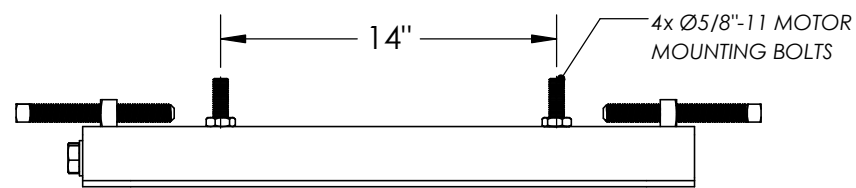
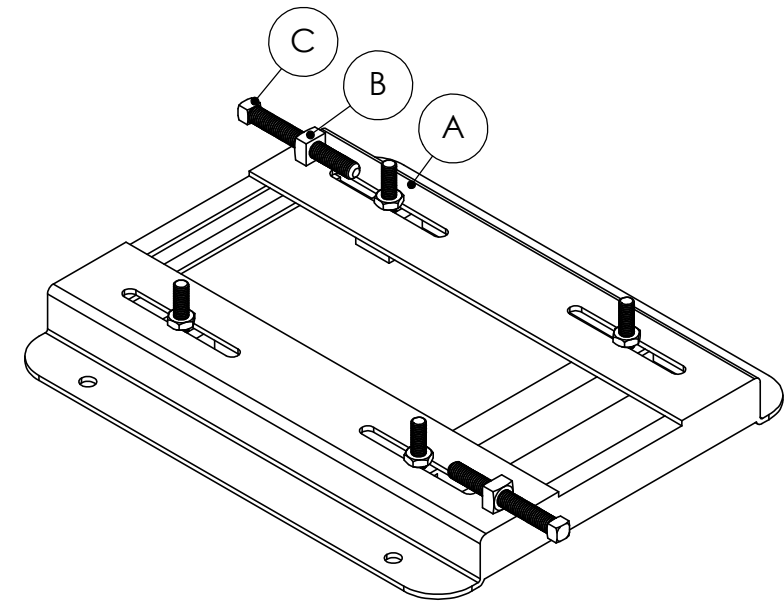
**TOP VIEW**



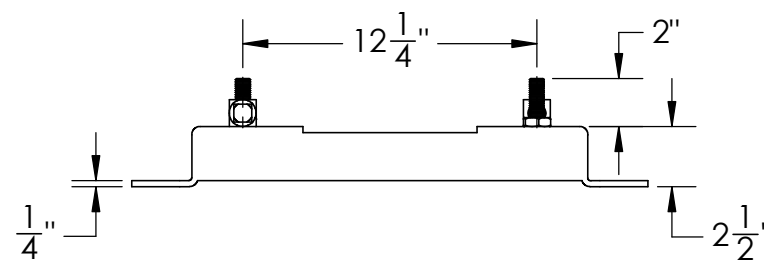
DETAIL A  
BOLT SLOTS (4x TYP)  
SCALE 1 : 4



DETAIL B  
WELD NUT (2x TYP)  
SCALE 1 : 4



**FRONT VIEW**



**RIGHT VIEW**

JOB NUMBER	PARENT P/N

UNLESS OTHERWISE SPECIFIED:			
DIMENSIONS ARE IN INCHES	DRAWN	DATE	NAME
TOLERANCES:	AUTHOR	07/06/20	JDM
FRACTIONAL ±	CHECKED BY		
ANGULAR: MACH ± BEND ±	MFG APPR.		
TWO PLACE DECIMAL ±			
THREE PLACE DECIMAL ±			
INTERPRET GEOMETRIC TOLERANCING PER:	COMMENTS:		
MATERIAL SEE BOM			
THICKNESS: SEE BOM			
FINISH			
WEIGHT:			

**pdbl** *blowers* **inc**

2280 Chicopee Mill Road SW • Gainesville, GA • 30504  
800-534-9933

TITLE: BASE, MOTOR  
36T FRAME  
PUSHING BOLTS

SIZE **B** DWG. NO. 54997.W REV

SCALE: 1:8 SHEET 1 OF 1

**PROPRIETARY AND CONFIDENTIAL**  
THE INFORMATION CONTAINED IN THIS DRAWING IS THE SOLE PROPERTY OF PDBLOWERS, INC. ANY REPRODUCTION IN PART OR AS A WHOLE WITHOUT THE WRITTEN PERMISSION OF PDBLOWERS, INC IS PROHIBITED.